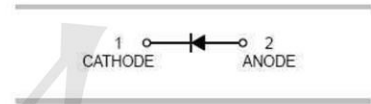


Features

- For general purpose applications.
- This diodes features very low turn-on Voltage and fast switching.
- This device is protected by a PN junction guard Ring against excessive voltage, such as electrostatic discharges.



SOD-323

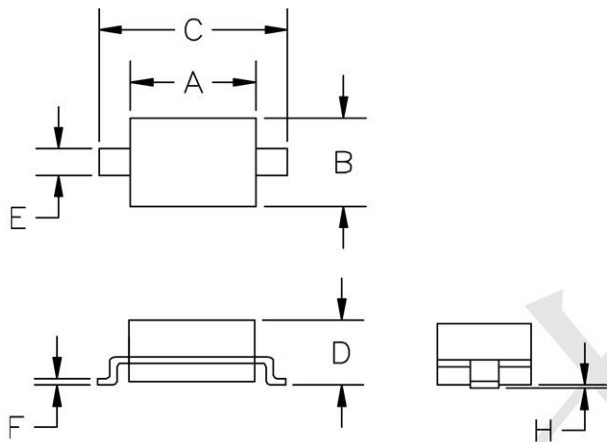
Absolute Maximum Ratings (T_{amb}=25°C unless otherwise specified)

Parameter	Symbol	Limits	Unit
Repetitive Peak reverse voltage	V _{RRM}	100	V
Forward continuous Current	I _F	150	mA
Repetitive peak Forward Current	I _{FRM}	350	mA
Forward Surge Current	I _{FSM}	750	mA
Power Dissipation	P _d	200	mW
Thermal resistance, junction to ambient air	R _{θJA}	500	°C/W
Junction temperature	T _j	125	°C
Storage temperature range	T _{stg}	-55 to +125	°C

Electrical Characteristics (TA=25°C unless otherwise specified)

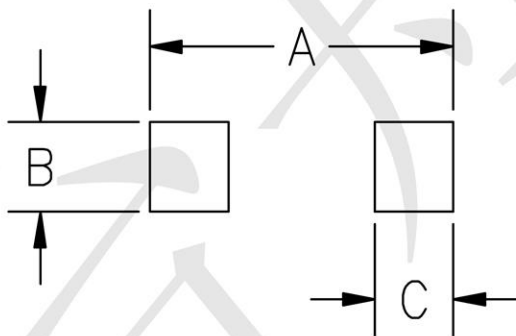
Parameter	Symbol	Conditions	Min.	Typ.	Max.	Unit
Reverse Breakdown Voltage	$V_{(BR)R}$	$I_R=100\mu A$	100			V
Forward voltage	V_F	$I_F=0.1mA$			0.25	V
	V_F	$I_F=10mA$			0.45	V
	V_F	$I_F=250mA$			1.00	V
Reverse current	I_R	$V_R=1.5V$			0.5	μA
		$V_R=1.5V, T_j=60^\circ C$			5.0	μA
		$V_R=10V$			0.8	μA
		$V_R=10V, T_j=60^\circ C$			7.5	μA
		$V_R=50V$			2.0	μA
		$V_R=50V, T_j=60^\circ C$			15	μA
		$V_R=75V$			5.0	μA
		$V_R=75V, T_j=60^\circ C$			20	μA
Capacitance	C_{tot}	$V_R=0V, f=1MHz$			10	pF
		$V_R=1V, f=1MHz$			6	pF

Outline Drawing - SOD-323



SYM	DIMENSIONS			
	MILLIMETERS		INCHES	
	MIN	MAX	MIN	MAX
A	1.50	1.80	0.060	0.071
B	1.20	1.40	0.045	0.054
C	2.30	2.70	0.090	0.107
D	-	1.10	-	0.043
E	0.30	0.40	0.012	0.016
F	0.10	0.25	0.004	0.010
H	-	0.10	-	0.004

Land Pattern - SOD-323



SYM	DIMENSIONS	
	MILLIMETERS	INCHES
A	3.15	0.120
B	0.80	0.031
C	0.80	0.031

X-ON Electronics

Largest Supplier of Electrical and Electronic Components

Click to view similar products for [Schottky Diodes & Rectifiers](#) category:

Click to view products by [TECH PUBLIC](#) manufacturer:

Other Similar products are found below :

[MA4E2039](#) [MA4E2508M-1112](#) [MBR10100CT-BP](#) [MBR1545CT](#) [MMBD301M3T5G](#) [GS1JE-TP](#) [RB160M-50TR](#) [BAS16E6433HTMA1](#)
[BAS 3010S-02LRH E6327](#) [BAT 54-02LRH E6327](#) [NSR05F40QNXT5G](#) [NSVR05F40NXT5G](#) [NTE555](#) [JANS1N6640](#) [SB07-03C-TB-H](#)
[SK310-T](#) [SK33A-TP](#) [SK34B-TP](#) [SS3003CH-TL-E](#) [PDS3100Q-7](#) [GA01SHT18](#) [CRS10I30A\(TE85L,QM](#) [MA4E2501L-1290](#)
[MBRB30H30CT-1G](#) [DMJ3940-000](#) [SB007-03C-TB-E](#) [SK32A-TP](#) [SK33B-TP](#) [SK35A-TP](#) [SK38B-LTP](#) [SK38B-TP](#) [NRVBM120LT1G](#)
[NTE505](#) [NTSB30U100CT-1G](#) [VS-6CWQ10FNHM3](#) [CRG04\(T5L,TEMQ\)](#) [ACDBA1100LR-HF](#) [ACDBA1200-HF](#) [ACDBA2100-HF](#)
[ACDBA240-HF](#) [ACDBA3100-HF](#) [CDBQC0530L-HF](#) [ACDBA260LR-HF](#) [ACDBA1100-HF](#) [MA4E2502L-1246](#) [10BQ060-M3/5BT](#)
[NRVB130LSFT1G](#) [CRS08TE85LQM](#) [PMAD1108-LF](#) [B120Q-13-F](#)