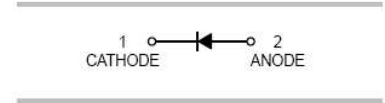


## Features

- For general purpose applications.
- This diodes features very low turn-on Voltage and fast switching.
- This device is protected by a PN junction guard Ring against excessive voltage, such as electrostatic discharges.



**SOD-323**

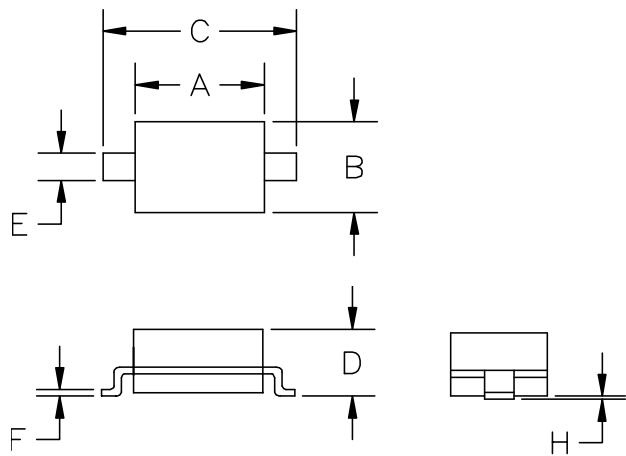
### Absolute Maximum Ratings (T<sub>amb</sub>=25°C unless otherwise specified)

Parameter	Symbol	Limits	Unit
Repetitive Peak reverse voltage	V <sub>RRM</sub>	100	V
Forward continuous Current	I <sub>F</sub>	150	mA
Repetitive peak Forward Current	I <sub>FRM</sub>	350	mA
Forward Surge Current	I <sub>FSM</sub>	750	mA
Power Dissipation	P <sub>d</sub>	200	mW
Thermal resistance, junction to ambient air	R <sub>θJA</sub>	500	°C/W
Junction temperature	T <sub>j</sub>	125	°C
Storage temperature range	T <sub>stg</sub>	-55 to +125	°C

**Electrical Characteristics** (TA=25°C unless otherwise specified)

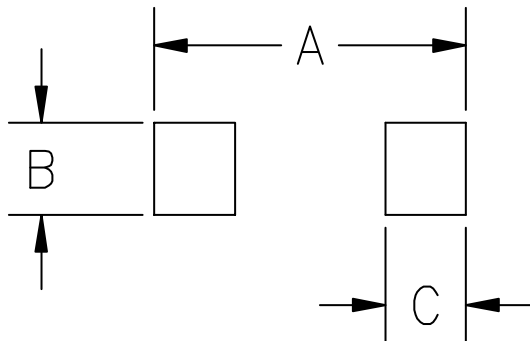
Parameter	Symbol	Conditions	Min.	Typ.	Max.	Unit
Reverse Breakdown Voltage	$V_{(BR)R}$	$I_R=100\mu A$	100			V
Forward voltage	$V_F$	$I_F=0.1mA$			0.25	V
	$V_F$	$I_F=10mA$			0.45	V
	$V_F$	$I_F=250mA$			1.00	V
Reverse current	$I_R$	$V_R=1.5V$			0.5	$\mu A$
		$V_R=1.5V, T_j=60^\circ C$			5.0	$\mu A$
		$V_R=10V$			0.8	$\mu A$
		$V_R=10V, T_j=60^\circ C$			7.5	$\mu A$
		$V_R=50V$			2.0	$\mu A$
		$V_R=50V, T_j=60^\circ C$			15	$\mu A$
		$V_R=75V$			5.0	$\mu A$
		$V_R=75V, T_j=60^\circ C$			20	$\mu A$
Capacitance	$C_{tot}$	$V_R=0V, f=1MHz$			10	$\mu F$
		$V_R=1V, f=1MHz$			6	

**Outline Drawing - SOD-323**



SYM	DIMENSIONS			
	MILLIMETERS		INCHES	
	MIN	MAX	MIN	MAX
A	1.50	1.80	0.060	0.071
B	1.20	1.40	0.045	0.054
C	2.30	2.70	0.090	0.107
D	-	1.10	-	0.043
E	0.30	0.40	0.012	0.016
F	0.10	0.25	0.004	0.010
H	-	0.10	-	0.004

**Land Pattern - SOD-323**



SYM	DIMENSIONS	
	MILLIMETERS	INCHES
A	3.15	0.120
B	0.80	0.031
C	0.80	0.031

## X-ON Electronics

Largest Supplier of Electrical and Electronic Components

*Click to view similar products for [Schottky Diodes & Rectifiers](#) category:*

*Click to view products by [TECH PUBLIC](#) manufacturer:*

Other Similar products are found below :

[MA4E2039](#) [MA4E2508M-1112](#) [MBR10100CT-BP](#) [MBR1545CT](#) [MMBD301M3T5G](#) [GS1JE-TP](#) [RB160M-50TR](#) [BAS 3010S-02LRH E6327](#)  
[BAT 54-02LRH E6327](#) [NSR05F40QNXT5G](#) [NSVR05F40NXT5G](#) [NTE555](#) [JANS1N6640](#) [SB07-03C-TB-H](#) [SBS818-TL-E](#) [SK310-T](#)  
[SK33A-TP](#) [SK34B-TP](#) [SS3003CH-TL-E](#) [PDS3100Q-7](#) [GA01SHT18](#) [CRS10I30A\(TE85L,QM](#) [MA4E2501L-1290](#) [MBRB30H30CT-1G](#)  
[DMJ3940-000](#) [SB007-03C-TB-E](#) [SK32A-TP](#) [SK33B-TP](#) [SK35A-TP](#) [SK38B-LTP](#) [SK38B-TP](#) [NRVBM120LT1G](#) [NTE505](#)  
[NTSB30U100CT-1G](#) [SS0503SH-TL-E](#) [VS-6CWQ10FNHM3](#) [CRG04\(T5L,TEMQ\)](#) [ACDBA1100LR-HF](#) [ACDBA1200-HF](#) [ACDBA2100-HF](#)  
[ACDBA240-HF](#) [ACDBA3100-HF](#) [CDBQC0530L-HF](#) [ACDBA260LR-HF](#) [ACDBA1100-HF](#) [MA4E2502L-1246](#) [10BQ060-M3/5BT](#)  
[NRVB130LSFT1G](#) [CRS08TE85LQM](#) [PMAD1108-LF](#)