

GENERAL DESCRIPTION

LM2576 Series are step-down switching regulators with all required active functions. It is capable of driving 3A load with excellent line and load regulations. These devices are available in fixed output voltages of 3.3V, 5V and adjustable output version.

LM2576 series operates at a switching frequency of 52kHz thus allowing smaller sized filter components than what would be needed with lower frequency switching regulators. It substantially not only reduces the area of board size but also the size of heat sink, and in some cases no heat sink is required. The $\pm 4\%$ tolerance on output voltage within specified input voltages and output load conditions is guaranteed. Also, the oscillator frequency accuracy is within $\pm 10\%$. External shutdown is included. Featuring 70 μ A (typical) standby current. The output switch includes cycle-by-cycle current limiting, as well as thermal shutdown for full protection under fault conditions.

Features

- Output Voltage: 3.3V, 5V & Adjustable version
- Adjustable Output Voltage Range 1.23V~37V $\pm 4\%$
- 52kHz fixed switching frequency
- Voltage Mode Non-synchronous PWM control
- Thermal Shutdown and Current Limit Protection
- ON/OFF Shutdown Control Input
- High Efficiency
- Short Circuit Protect (SCP)
- Operating Voltage Can be up to 40V
- Output Load Current 3A
- Low Power Standby Mode
- P+ Product Enhancement Tested

Applications


- Simple High-efficiency Step down Regulator
- On-Card Switching Regulators
- Positive to Negative Converter

TYPICAL APPLICATION


| OUTPUT VOLTAGE | PART NO. | PACKAGE | PACKING |
|----------------|--------------|-------------------------------|-------------------|
| 3.3V | LM2576SX-3.3 | TO-263-5L(D ² PAK) | 500pcs / 13" Reel |
| 5.0V | LM2576SX-5.0 | TO-263-5L(D ² PAK) | 500pcs / 13" Reel |
| ADJ | LM2576SX-ADJ | TO-263-5L(D ² PAK) | 500pcs / 13" Reel |

Marking:


LM2576SX-3.3

| | |
|---|-------------|
|  | TECH PUBLIC |
| | LM2576S |
| -3.3 | P+ |

LM2576SX-5.0

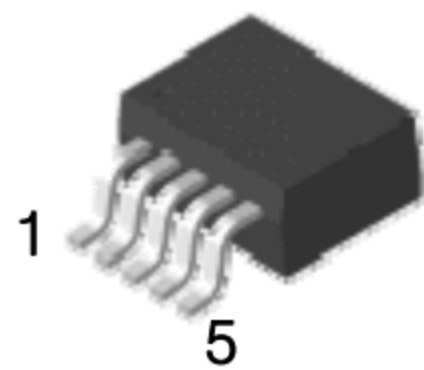
| | |
|---|-------------|
|  | TECH PUBLIC |
| | LM2576S |
| -5.0 | P+ |

LM2576SX-ADJ

| | |
|---|-------------|
|  | TECH PUBLIC |
| | LM2576S |
| -ADJ | P+ |

PIN CONFIGURATION

TO-263-5L (D²PAK)



Pin Definition:

1. Input
2. SW Output
3. Ground
4. Feedback
5. Enable

ABSOLUTE MAXIMUM RATINGS

| Parameter | Symbol | Limit | Unit |
|------------------------------------|------------------|--------------------|------|
| Maximum Supply Voltage | V_{CC} | +45 | V |
| Recommend Operating Supply Voltage | V_{OP} | 4.5 to 40 | V |
| SW, EN Pin Input Voltage | V_{SW}, V_{EN} | -0.3 to +25 | V |
| Feedback Pin Voltage | V_{FB} | -0.3 to +25 | V |
| Power Dissipation | P_D | Internally Limited | W |
| Output Voltage to Ground | V_{OUT} | -1 | V |
| Storage Temperature Range | T_{ST} | -65 to +150 | °C |
| Operating Temperature Range | T_{OP} | -40 to +125 | °C |
| ESD Susceptibility (HBM) | | 2 | kV |

THERMAL INFORMATION

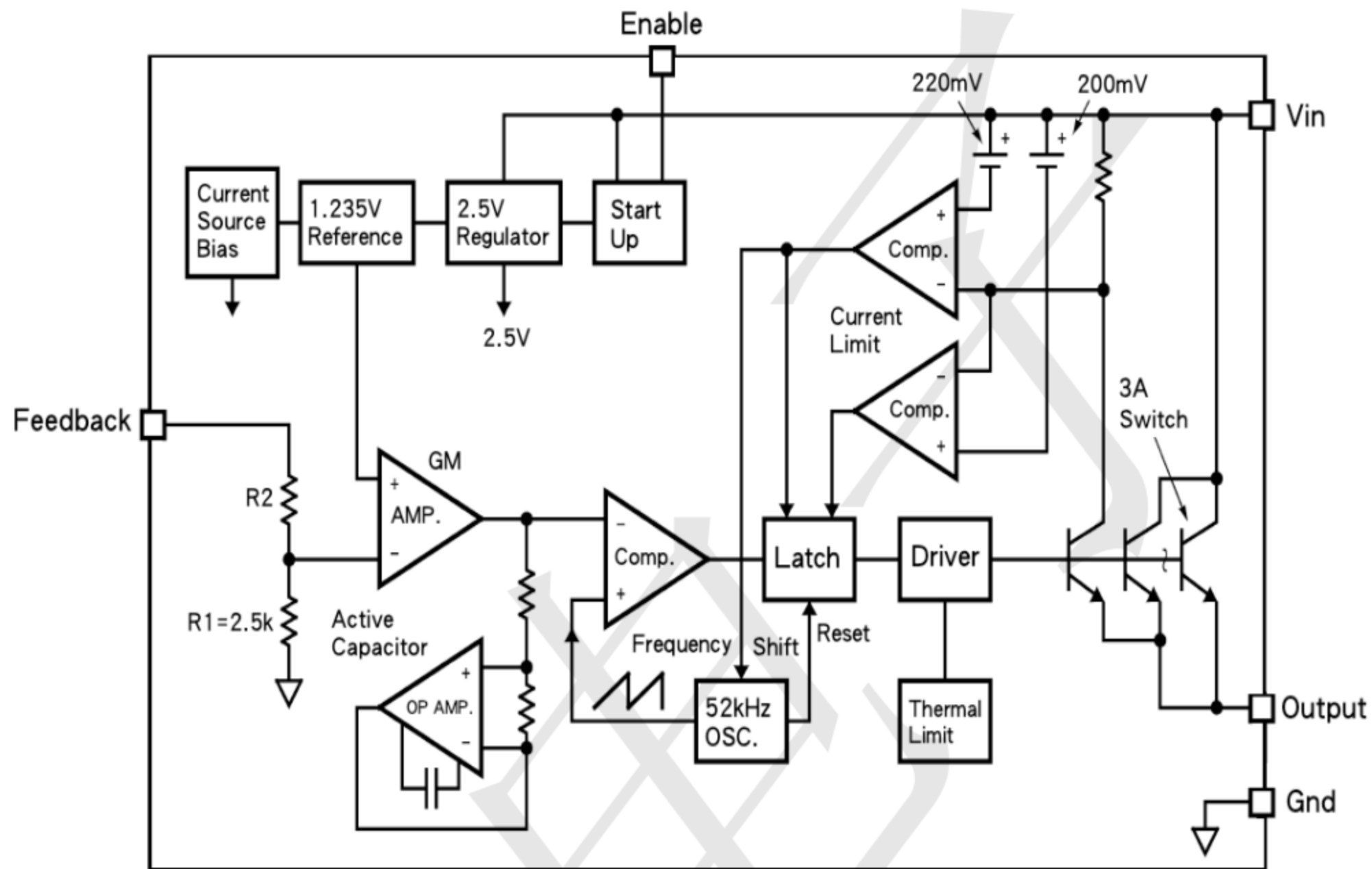
| Parameter | | Symbol | Maximum | Unit |
|--|-----------|---------------|-------------|------|
| Thermal Resistance (Junction to Case) | TO-263-5L | θ_{JC} | 2 | °C/W |
| Thermal Resistance (Junction to Ambient) | TO-263-5L | θ_{JA} | 50 (note 2) | °C/W |

Electrical Characteristics (T_A=25 C unless otherwise noted)

(T_a = 25°C unless otherwise noted, V_{IN}=12V for 3.3V, 5V, Adjustable version. I_{LOAD}=0.5A)

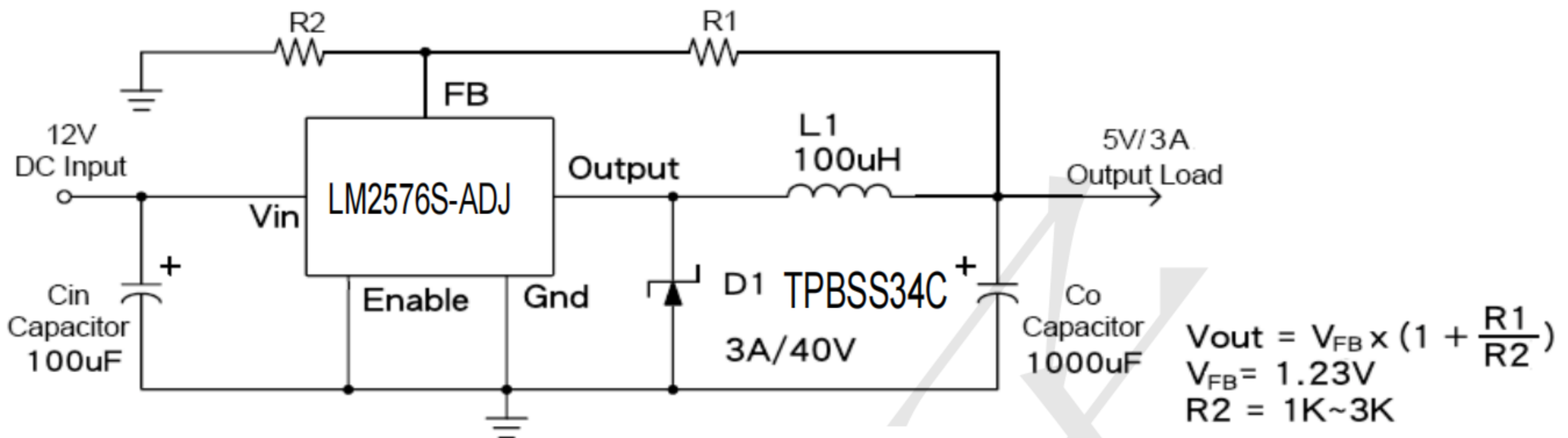
| Parameter | | Symbol | Test Condition | Min | Typ | Max | Unit |
|--|-------------|-------------------|---|-------|------|-------|------|
| Output Feedback | ADJ | V _{FB} | 4.5V ≤ V _{IN} ≤ 40V 0.2A ≤ I _{LOAD} ≤ 3A | 1.180 | 1.23 | 1.280 | V |
| Efficiency | | η | V _{IN} = 12V, I _{LOAD} = 3A, V _{OUT} = 5V | -- | 77 | -- | % |
| Output Feedback | 3.3V | V _{FB} | 4.75V ≤ V _{IN} ≤ 40V 0.2A ≤ I _{LOAD} ≤ 3A | 3.135 | 3.3V | 3.465 | V |
| Efficiency | | η | V _{IN} = 12V, I _{LOAD} = 3A | -- | 75 | -- | % |
| Output Feedback | 5V | V _{FB} | 7V ≤ V _{IN} ≤ 40V 0.2A ≤ I _{LOAD} ≤ 3A | 4.75 | 5 | 5.25 | V |
| Efficiency | | η | V _{IN} = 12V, I _{LOAD} = 3A | -- | 77 | -- | % |
| Feedback Bias Current | | I _{FB} | V _{OUT} = 5V (Adjustable Version) | -- | 50 | 100 | nA |
| Oscillator Frequency | | F _{OSC} | | 47 | 52 | 58 | KHz |
| Soft-Start Time | | T _{SS} | Rising edge of EN on to I _{CL} | -- | 3 | -- | mS |
| Current Limit | | I _{CL} | Peak Current, no outside circuit V _{FB} = 0V force driver on | 5.9 | -- | -- | A |
| Saturation Voltage | | V _{SAT} | I _{OUT} = 3A, No outside circuit V _{FB} = 0V force driver on | -- | 1.4 | 1.8 | V |
| ON/OFF Pin Logic Input Threshold Voltage | | V _{IL} | Low (regulator ON) | -- | 1.2 | 1.0 | V |
| | | V _{IH} | High (regulator OFF) | 2.2 | 1.4 | -- | |
| ON/OFF Pin Logic Input Current | | I _L | V _{LOGIC} = 5V (OFF) | -- | 12 | 30 | μA |
| | | I _H | V _{LOGIC} = 0V (ON) | -- | 0 | 10 | |
| Maximum Duty Cycle (ON) | | DC | V _{FB} = 0V force driver on | 93 | 98 | -- | % |
| Maximum Duty Cycle (OFF) | | | V _{FB} = 12V force driver off | -- | 0 | -- | |
| Quiescent Current | | I _Q | V _{FB} = 12V force driver off | -- | 5 | 10 | mA |
| Standby Quiescent Current | | I _{STBY} | ON/OFF pin = 5V | -- | 70 | 200 | μA |
| | | | V _{IN} = 40V | -- | | 250 | |
| SW Pin Leakage Current | SW pin = 0 | I _{SWL} | No outside circuit, V _{FB} = 12V force driver off | -- | 0.3 | 2 | mA |
| | SW pin = -1 | | V _{IN} = 12V | -- | 7.5 | 30 | mA |

BLOCK DIAGRAM

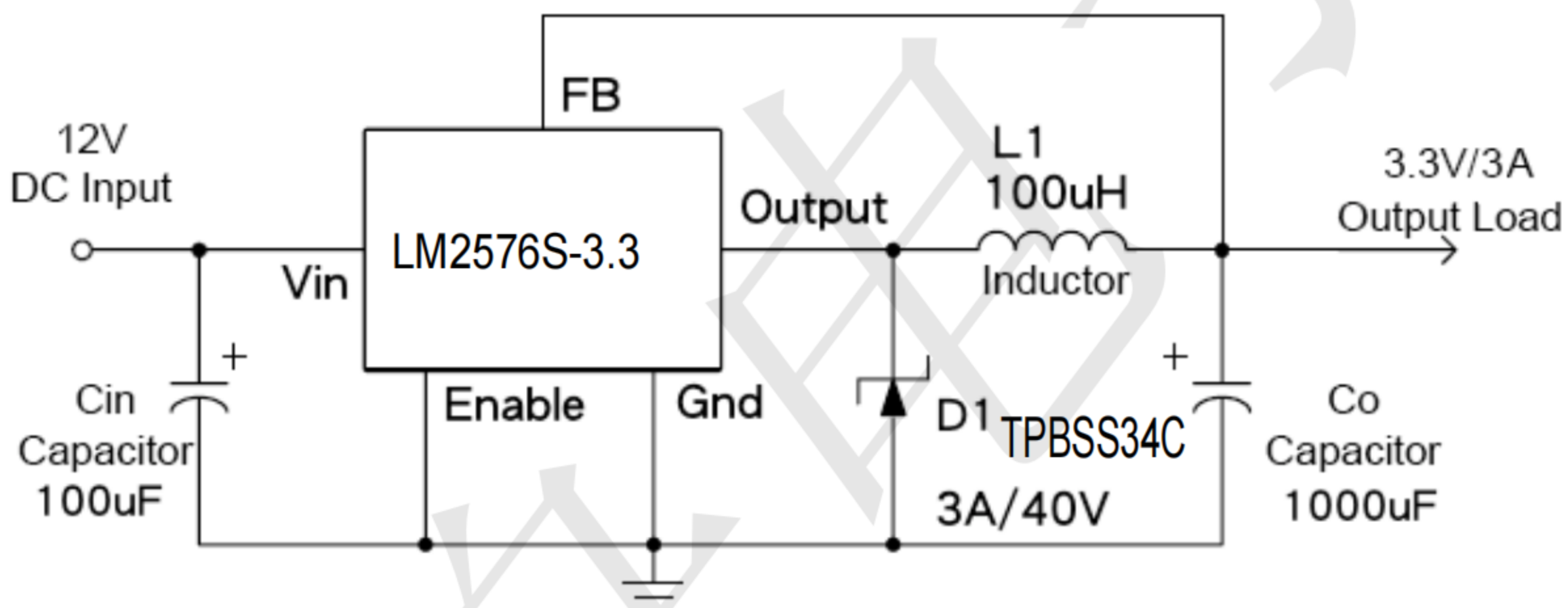


TYPICAL APPLICATION CIRCUIT

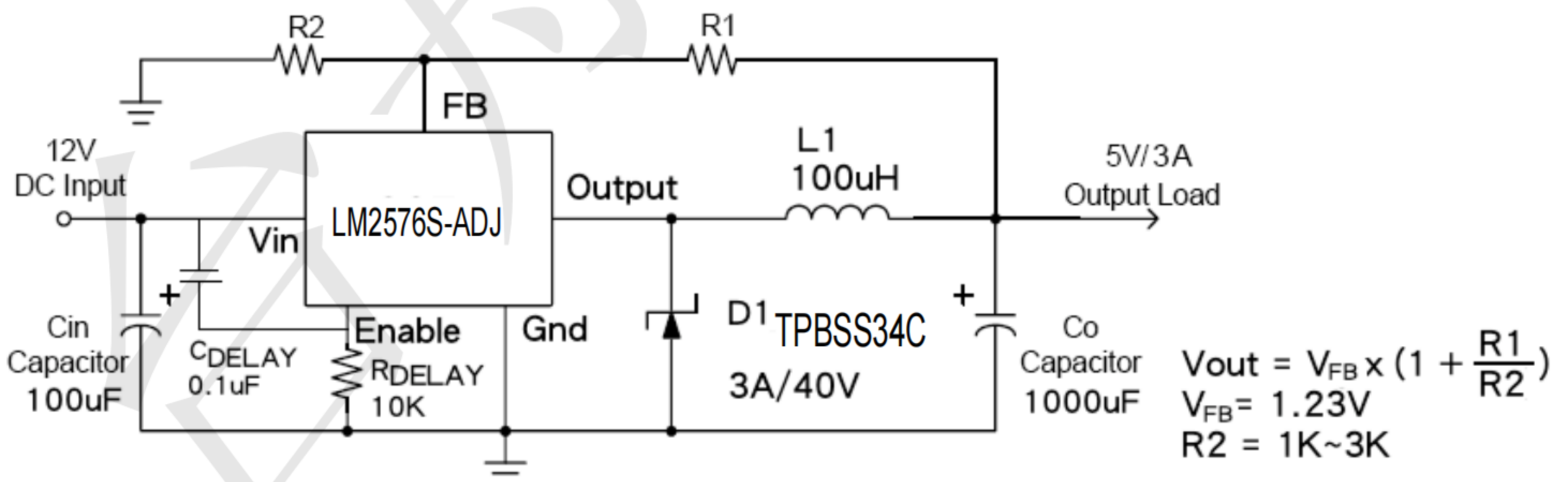
1. Adjustable Output Voltage Version



2. Fixed Output Voltage Version

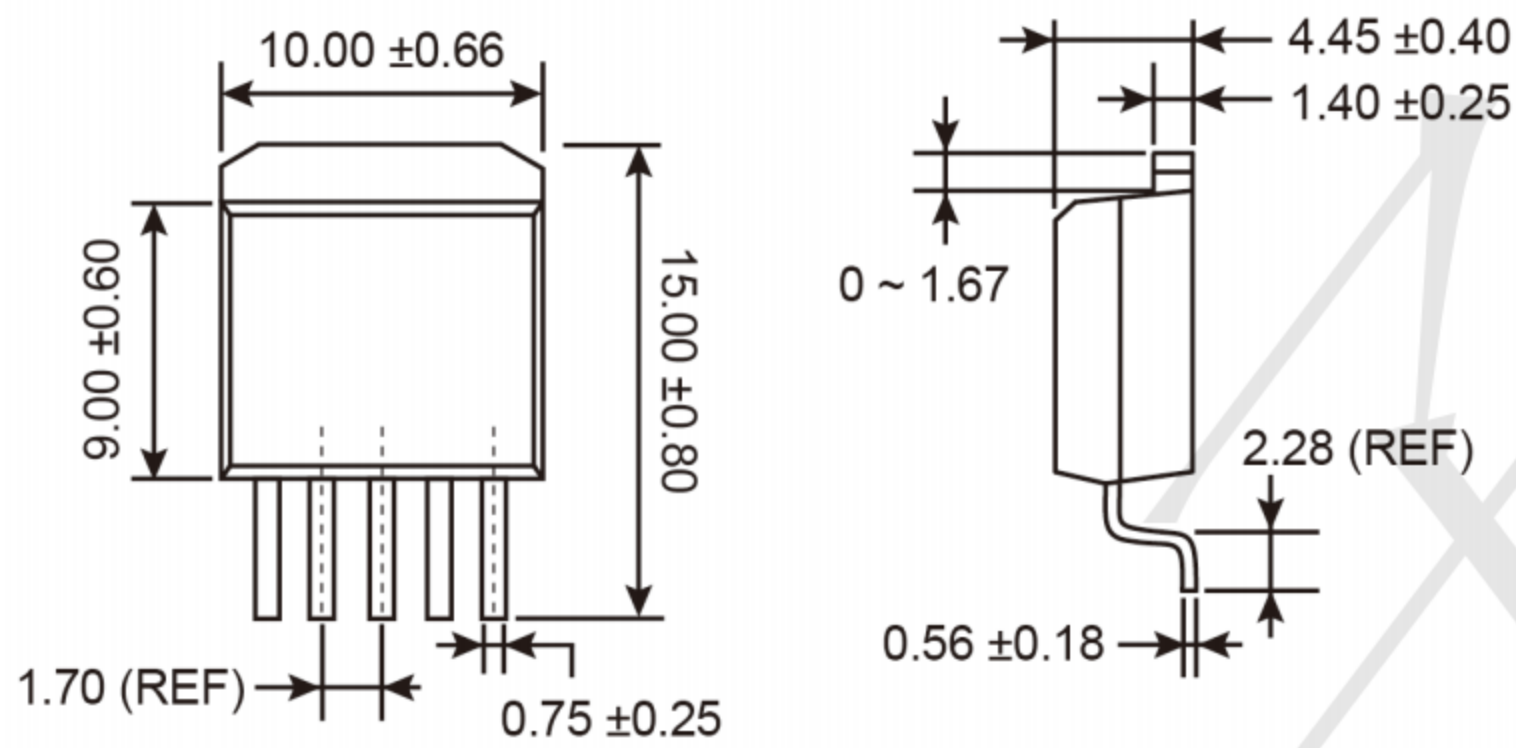


3. Adjustable Output Voltage Version with Delayed Startup

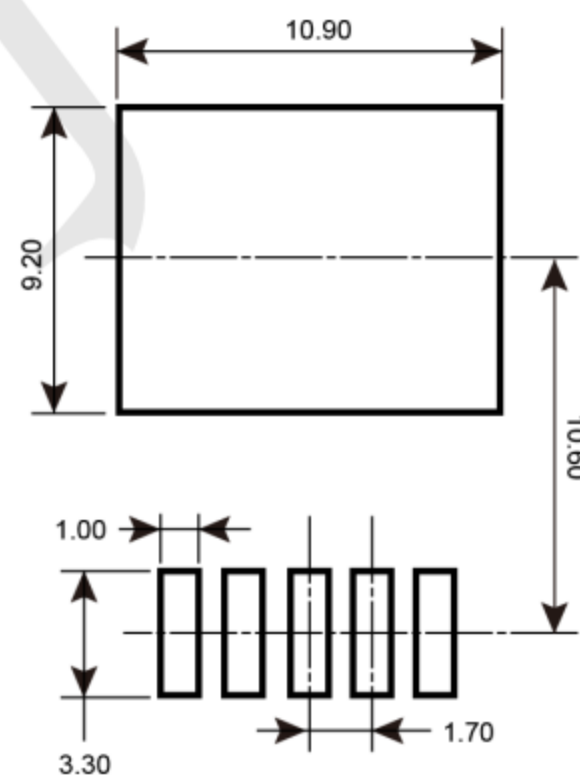


PACKAGE OUTLINE DIMENSIONS (Unit: Millimeters)

TO-263-5L (D²PAK)



SUGGESTED PAD LAYOUT (Unit: Millimeters)



X-ON Electronics

Largest Supplier of Electrical and Electronic Components

Click to view similar products for [Switching Controllers](#) category:

Click to view products by [TECH PUBLIC](#) manufacturer:

Other Similar products are found below :

[NCP1218AD65R2G](#) [NCP1244BD065R2G](#) [NCP1336ADR2G](#) [NCP6153MNTWG](#) [NCP81101BMNTXG](#) [NCP81205MNTXG](#) [SJE6600](#)
[AZ7500BMTR-E1](#) [SG3845DM](#) [NCP1250BP65G](#) [NCP4204MNTXG](#) [NCP6132AMNR2G](#) [NCP81102MNTXG](#) [NCP81206MNTXG](#)
[NCP1240AD065R2G](#) [NCP1240FD065R2G](#) [NCP1361BABAYSNT1G](#) [NCP1230P100G](#) [NX2124CSTR](#) [SG2845M](#) [NCP1366BABAYDR2G](#)
[NCP81101MNTXG](#) [NCP81174NMNTXG](#) [NCP4308DMTTWG](#) [NCP4308AMTTWG](#) [NCP1366AABAYDR2G](#) [NCP1251FSN65T1G](#)
[NCP1246BLD065R2G](#) [MB39A136PFT-G-BND-ERE1](#) [NCP1256BSN100T1G](#) [LV5768V-A-TLM-E](#) [NCP1365BABCYDR2G](#)
[NCP1365AABCYDR2G](#) [NCP1246ALD065R2G](#) [AZ494AP-E1](#) [CR1510-10](#) [NCP4205MNTXG](#) [ISL69158IRAZ-T7A](#) [XRP6141ELTR-F](#)
[RY8017](#) [LP6260SQVF](#) [LP6298QVF](#) [ISL6121LIB](#) [ISL6225CA](#) [ISL6244HRZ](#) [ISL6268CAZ](#) [ISL6315IRZ](#) [ISL6420AIAZ-TK](#) [ISL6420AIRZ](#)
[ISL6420IAZ](#)