

Features

- Ultra small package: 0.6x0.3x0.3mm
- Ultra low capacitance: 0.28 pF typical
- Ultra low leakage: nA level
- Low operating voltage: 5V
- Low clamping voltage
- 2-pin leadless package
- Complies with following standards:
 - - IEC 61000-4-2 (ESD) immunity test
Air discharge: ±23kV
Contact discharge: ±15kV
 - - IEC61000-4-5 (Lightning) 4A (8/20 μs)
- These are Pb-Free Devices
- Response Time is Typically < 1 ns

Mechanical Characteristics

- Package: DFN0603-2 (0201)
- Lead Finish: Matte Tin
- Case Material: “Green” Molding Compound.
- Moisture Sensitivity: Level 3 per J-STD-020
- Terminal Connections: See Diagram Below

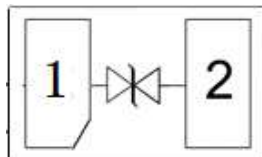
Applications

- Cellular Handsets and Accessories
- Personal Digital Assistants
- Notebooks and Handhelds
- Portable Instrumentation
- Digital Cameras
- Peripherals

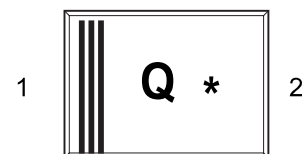
Ordering Information

| Part Number | Qty per Reel | Reel Size |
|-----------------|--------------|-----------|
| PESD5V0F1BSF-TP | 15000 | 7" |

Dimensions and Pin Configuration



MARKING:



Q= Device Code

* = Date Code

Absolute Maximum Ratings (Tamb=25°C unless otherwise specified)

| Parameter | Symbol | Value | Unit |
|---------------------------------|--------|-------------|------|
| Peak Pulse Power (8/20μs) | Ppk | 70 | W |
| Peak Pulse Current (8/20μs) | Ipp | 4 | A |
| ESD per IEC 61000-4-2 (Air) | VESD | ±23 | kV |
| ESD per IEC 61000-4-2 (Contact) | | ±15 | |
| Operating Temperature Range | TJ | -55 to +125 | °C |
| Storage Temperature Range | Tstg | -55 to +150 | °C |

Electrical Characteristics (TA=25°C unless otherwise specified)

| Parameter | Symbol | Min | Typ | Max | Unit | Test Condition |
|-------------------------|--------|-----|------|------|------|-----------------------|
| Reverse Working Voltage | VRWM | | | 5 | V | |
| Breakdown Voltage | VBR | 6 | 7.5 | 9 | V | IT = 1mA |
| Reverse Leakage Current | IR | | | 0.07 | uA | VRWM = 5V |
| Clamping Voltage | VC | | | 10 | V | Ipp=1A(8x 20us pulse) |
| Clamping Voltage | VC | | | 16 | V | Ipp=4A(8x 20us pulse) |
| Junction Capacitance | CJ | | 0.28 | 0.4 | pF | VR = 0V, f = 1MHz |

Typical Performance Characteristics ($T_A=25^\circ\text{C}$ unless otherwise Specified)

Fig1. 8/20 μs Pulse Waveform

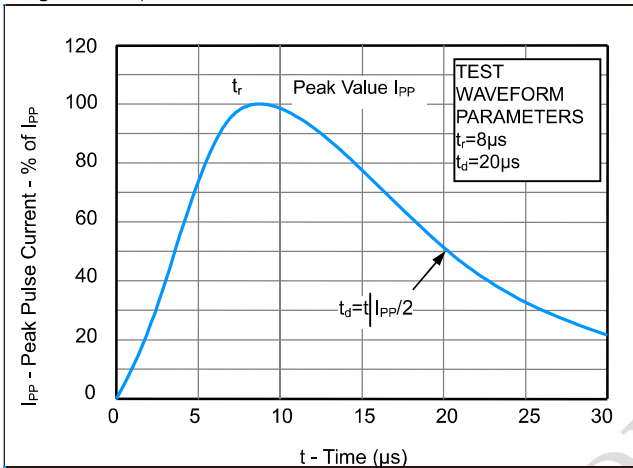


Fig2. ESD Pulse Waveform (according to IEC 61000-4-2)

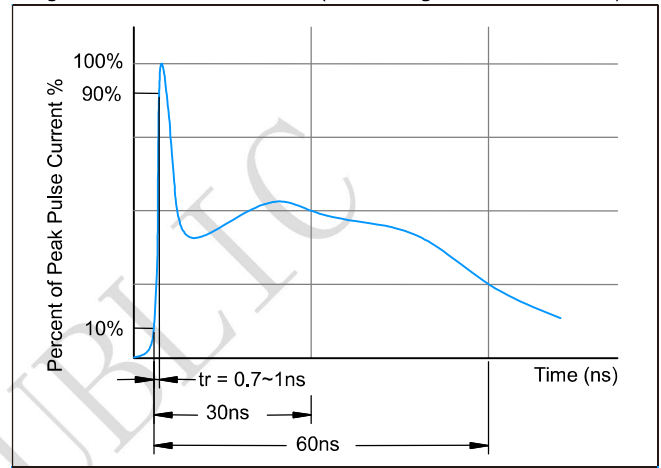
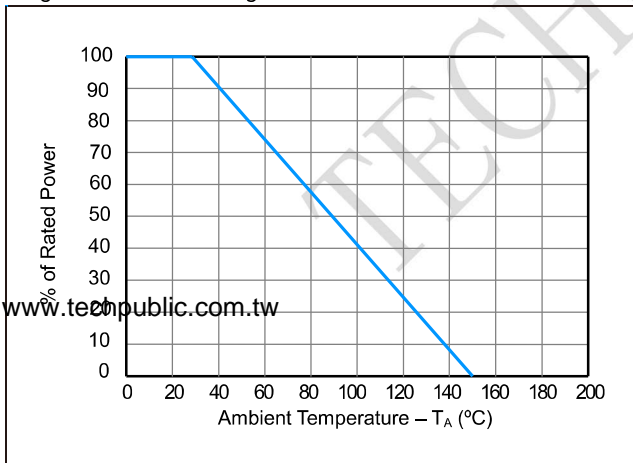
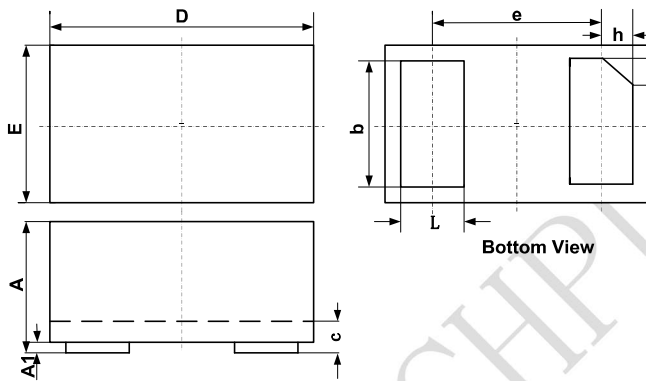


Fig3. Power Derating Curve

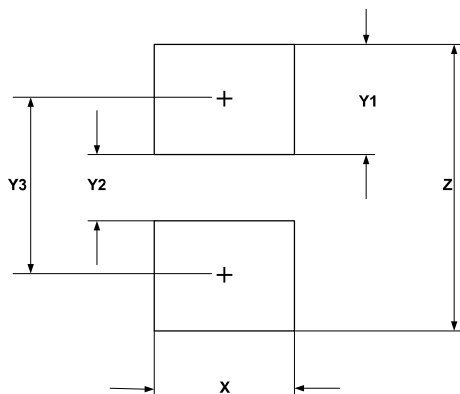


DFN0603-2 Package Outline Drawing (0201)



| SYM | DIMENSIONS | | |
|-----|-------------|-------|-------|
| | MILLIMETERS | | |
| | MIN | NOM | MAX |
| A | 0.230 | 0.300 | 0.330 |
| A1 | 0.000 | 0.020 | 0.050 |
| b | 0.215 | 0.245 | 0.275 |
| c | 0.120 | 0.150 | 0.180 |
| D | 0.550 | 0.600 | 0.650 |
| e | 0.355 BSC | | |
| E | 0.250 | 0.300 | 0.350 |
| L | 0.160 | 0.190 | 0.220 |
| h | 0.079 BSC | | |

Suggested Land Pattern



| SYM | DIMENSIONS | |
|-----|-------------|--------|
| | MILLIMETERS | INCHES |
| X | 0.30 | 0.012 |
| Y1 | 0.25 | 0.010 |
| Y2 | 0.15 | 0.006 |
| Y3 | 0.40 | 0.016 |
| Z | 0.65 | 0.026 |

X-ON Electronics

Largest Supplier of Electrical and Electronic Components

Click to view similar products for [ESD Suppressors / TVS Diodes](#) category:

Click to view products by [TECH PUBLIC](#) manufacturer:

Other Similar products are found below :

[60KS200C](#) [D18V0L1B2LP-7B](#) [D5V0F4U5P5-7](#) [DESD5V0U1BB-7](#) [NTE4902](#) [P4KE27CA](#) [P6KE11CA](#) [P6KE39CA-TP](#) [P6KE8.2A](#)
[SA110CA](#) [SA60CA](#) [SA64CA](#) [SMBJ12CATR](#) [SMBJ33CATR](#) [SMBJ8.0A](#) [ESD101-B1-02ELS E6327](#) [ESD105-B1-02EL E6327](#) [ESD112-B1-02EL E6327](#) [ESD119B1W01005E6327XTSA1](#) [ESD5V0L1B02VH6327XTSA1](#) [ESD7451N2T5G](#) [19180-510](#) [CPDT-5V0USP-HF](#)
[3.0SMCJ33CA-F](#) [3.0SMCJ36A-F](#) [HSPC16701B02TP](#) [D3V3Q1B2DLP3-7](#) [D55V0M1B2WS-7](#) [DESD5V0U1BL-7B](#) [DRTR5V0U4SL-7](#)
[SCM1293A-04SO](#) [ESD200-B1-CSP0201 E6327](#) [SM12-7](#) [SMF8.0A-TP](#) [SMLJ45CA-TP](#) [SMQA1000T1G](#) [CEN955 W/DATA](#) [82350120560](#)
[VESD12A1A-HD1-GS08](#) [CPDUR5V0R-HF](#) [CPDQC5V0U-HF](#) [CPDQC5V0USP-HF](#) [CPDQC5V0-HF](#) [IP4042CX5/LF,135](#) [D1213A-01LP4-7B](#) [D1213A-02WL-7](#) [1SMB33CAT3G-XYZ](#) [MMAD1108/TR13](#) [5KP100A](#) [5KP15A](#)