

Features

- Low operating voltage: 5V
- Ultra low capacitance: 0.19 pF typical
- Ultra low leakage: nA level
- Low clamping voltage
- Complies with following standards:
- - IEC 61000-4-2 (ESD) immunity test
Air discharge: $\pm 25\text{kV}$
Contact discharge: $\pm 18\text{kV}$

Mechanical Characteristics

- Package: DFN2010-5L
- Lead Finish: Matte Tin
- Case Material: "Green" Molding Compound.
- Moisture Sensitivity: Level 3 per J-STD-020
- Terminal Connections: See Diagram Below

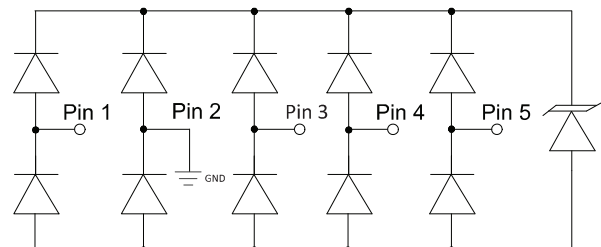
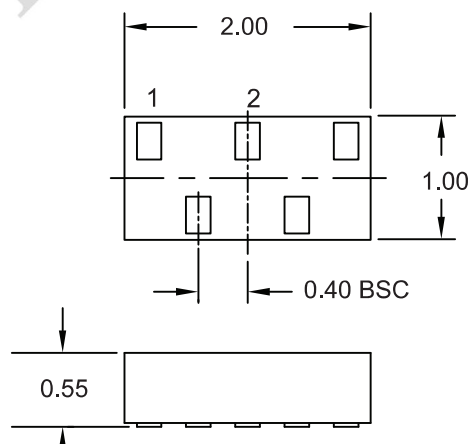
Ordering Information

Part Number	Qty per Reel	Reel Size
RCLAMP7534P-TP	3000	7"

Applications

- Digital Visual Interfaces (DVI)
- High Definition Multi-Media Interface (HDMI 1.4/2.0)
- MDDI Ports
- Desktops, Servers and Notebooks
- Serial ATA

Dimensions and Pin Configuration



MARKING: 64xxxy

64 = Device Code
xxxy = Date Code

Absolute Maximum Ratings (Tamb=25°C unless otherwise specified)

Parameter	Symbol	Value	Unit
ESD per IEC 61000-4-2 (Air)	VESD	±25	kV
ESD per IEC 61000-4-2 (Contact)		±18	
Operating Temperature Range	TJ	-55 to +125	°C
Storage Temperature Range	Tstg	-55 to +150	°C

Electrical Characteristics (TA=25°C unless otherwise specified)

Parameter	Symbol	Min	Typ	Max	Unit	Test Condition
Reverse Working Voltage	VRWM			5	V	
Breakdown Voltage	VBR	6.8	9	11	V	IT = 1mA
Reverse Leakage Current	IR			0.07	uA	VRWM = 5V
Clamping Voltage	VC			12	V	Ipp=1A(8x 20us pulse)
Junction Capacitance	CJ		0.19	0.3	v	VR = 0V, f = 1MHz Between I/O and GND
Junction Capacitance	CJ		0.19	0.3	pF	VR = 0V, f = 1MHz Between I/O and I/O

Typical Performance Characteristics ($T_A=25^\circ\text{C}$ unless otherwise Specified)

Fig1. 8/20 μs Pulse Waveform

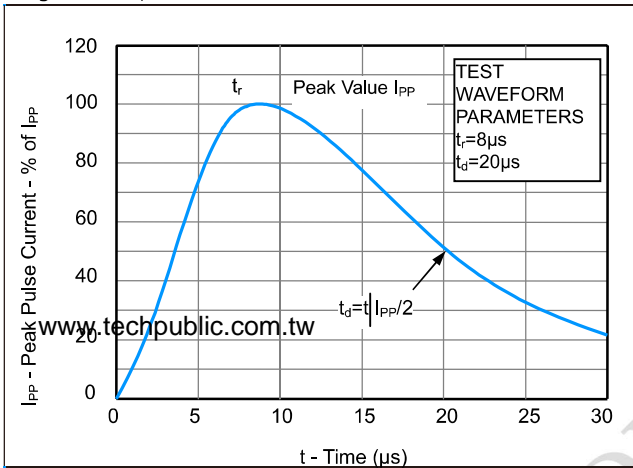


Fig2. ESD Pulse Waveform (according to IEC 61000-4-2)

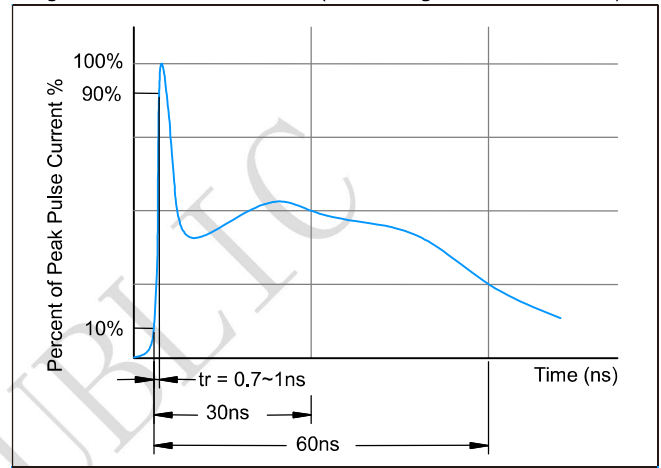
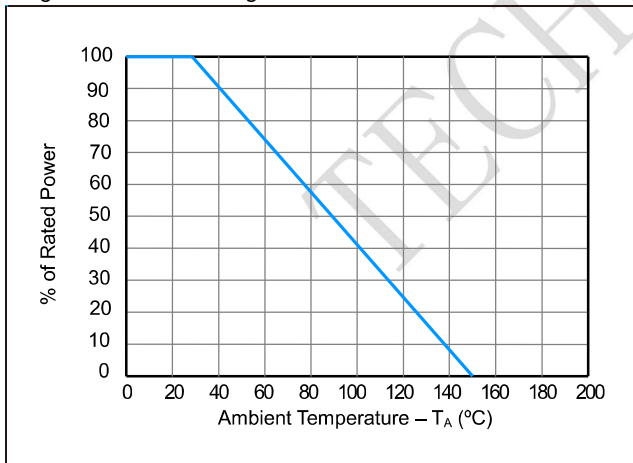
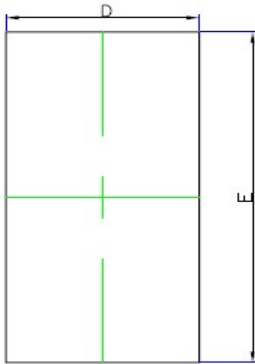


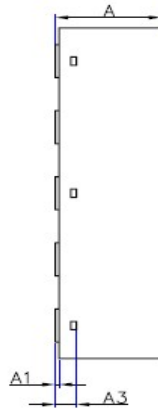
Fig3. Power Derating Curve



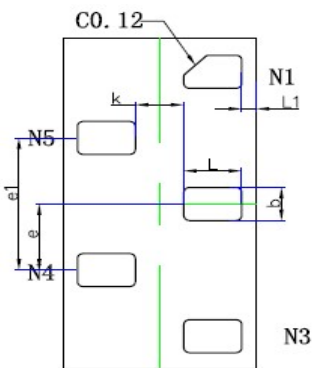
DFN2010-5L Package Outline Drawing



TOP VIEW



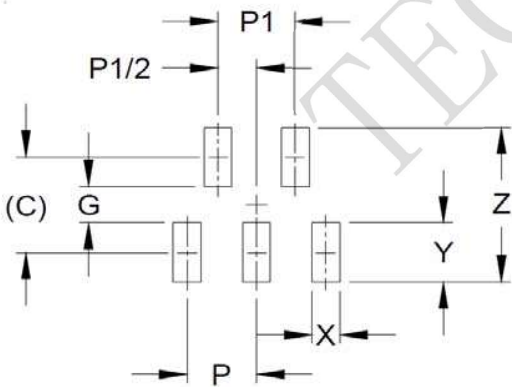
SIDE VIEW



BOTTOM VIEW

Symbol	Dimensions In Millimeters		Dimensions In Inches	
	Min.	Max.	Min.	Max.
A	0.340	0.400	0.013	0.016
A1	-0.004	0.046	0.000	0.002
A3	0.110REF.		0.004REF.	
D	0.900	1.100	0.035	0.043
E	1.900	2.100	0.075	0.083
k	0.250REF.		0.010REF.	
b	0.150	0.250	0.006	0.010
e	0.400BSC.		0.016BSC.	
e1	0.800BSC.		0.031BSC.	
L	0.224	0.376	0.009	0.015
L1	0.075REF.		0.003REF.	

Suggested Land Pattern



DIMENSIONS	
DIM	MILLIMETERS
C	(0.65)
G	0.25
P	0.45
P1	0.50
X	0.18
Y	0.40
Z	1.05

X-ON Electronics

Largest Supplier of Electrical and Electronic Components

Click to view similar products for [ESD Suppressors / TVS Diodes](#) category:

Click to view products by [TECH PUBLIC](#) manufacturer:

Other Similar products are found below :

[60KS200C](#) [D18V0L1B2LP-7B](#) [D5V0F4U5P5-7](#) [DESD5V0U1BB-7](#) [NTE4902](#) [P4KE27CA](#) [P6KE11CA](#) [P6KE39CA-TP](#) [P6KE8.2A](#)
[SA110CA](#) [SA60CA](#) [SA64CA](#) [SMBJ12CATR](#) [SMBJ33CATR](#) [SMBJ8.0A](#) [ESD101-B1-02ELS E6327](#) [ESD105-B1-02EL E6327](#) [ESD112-B1-02EL E6327](#) [ESD119B1W01005E6327XTSA1](#) [ESD5V0L1B02VH6327XTSA1](#) [ESD7451N2T5G](#) [19180-510](#) [CPDT-5V0USP-HF](#)
[3.0SMCJ33CA-F](#) [3.0SMCJ36A-F](#) [HSPC16701B02TP](#) [D3V3Q1B2DLP3-7](#) [D55V0M1B2WS-7](#) [DESD5V0U1BL-7B](#) [DRTR5V0U4SL-7](#)
[SCM1293A-04SO](#) [ESD200-B1-CSP0201 E6327](#) [SM12-7](#) [SMF8.0A-TP](#) [SMLJ45CA-TP](#) [SMQA1000T1G](#) [CEN955 W/DATA](#) [82350120560](#)
[VESD12A1A-HD1-GS08](#) [CPDUR5V0R-HF](#) [CPDQC5V0U-HF](#) [CPDQC5V0USP-HF](#) [CPDQC5V0-HF](#) [IP4042CX5/LF,135](#) [D1213A-01LP4-7B](#) [D1213A-02WL-7](#) [1SMB33CAT3G-XYZ](#) [MMAD1108/TR13](#) [5KP100A](#) [5KP15A](#)