

Features

- Power voltage range : 2.0 ~ 6.0V
- Operation temp. range : -40 ~ +85°C
- | IOH | = IOL = 2mA (min)
- ESD Protection Exceeds ESD 22
- -2000-V Human-Body Model (A114-A)
- -1000-V Charged-Device Model (C101)
- SOT23-5 Package Available

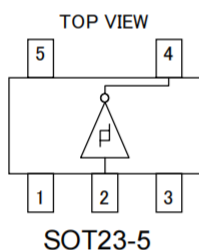
General Description

TC7S14F are CMOS schmitt inverter ICs. They realizes a high speed operation similar to LS-TTL with a lower power consumption by CMOS features. An inner circuit structure of 3-stages logic gates obtains a wider noise immunity and a constant output.

Applications

- Voltage Level Shifting
- General Purpose Logic
- Power Down Signal Isolation
- Wide array of products such as:
 - PCs, Networking, Notebooks, Netbooks, PDAs
 - Tablet Computers, E-readers
 - Computer Peripherals, Hard Drives, CD/DVD ROM
 - TV, DVD, DVR, Set-Top Box
 - Cell Phones, Personal Navigation / GPS
 - MP3 Players, Cameras, Video Recorders

Pin Configuration



Marking : EA

Function Table

Pin No.	Pin Name
1	NC
2	INY
3	GND
4	OUTX
5	VCC

Input	Output
INA	OUTX
Low	High
High	Low

Maximum Absolute Ratings

Parameter	Symbol	Value	Units
Power Voltage	VCC	-0.5~+7.0	V
Input Voltage	VIN	-0.5~VCC+0.5	V
Output Voltage	VOUT	-0.5~VCC+0.5	V
Input Protection Diode Current	I _{IK}	±20	mA
Output Parasitic Diode Current	I _{OK}	±20	mA
Output Current	I _{OUT}	±25	mA
VCC/GND Current	I _{CC} , I _{IGND}	±25	mA
Power Dissipation	P _d	200	mW
Storage Temp.	T _{stg}	-65~+150	°C

Suggested Operating Condition

Parameter	Symbol	Value	Units
Power Voltage	VCC	2.0~6.0	V
Input Voltage	VIN	0~VCC	V
Output Voltage	VOUT	0~VCC	V
Operating Temp.	Top	-40~+85	°C
High-input down-time	tr,tf	0~1000 (VCC=2.0V)	ns
		0~500 (VCC=4.5V)	
		0~400 (VCC=6.0V)	

DC Electrical Characteristics

Parameter	Sym.	VCC	Top = 25°C			Top = -40~+85°C		Units	Conditions
			Min.	Typ.	Max.	Min.	Max.		
Threshold Voltage	Vt+	2.0	-	-	1.5	-	1.5	V	
		4.5	-	-	3.15	-	3.15		
		6.0	-	-	4.2	-	4.2		
	Vt-	2.0	0.3	-	-	0.3	-	V	
		4.5	0.9	-	-	0.9	-		
		6.0	1.2	-	-	1.2	-		
Hysteresis Voltage	Vh	2.0	0.2	-	1.2	0.2	1.2	V	
		4.5	0.4	-	2.25	0.4	2.25		
		6.0	0.6	-	3.0	0.6	3.0		
Output Voltage	VOH	2.0	1.9	2.0	-	1.9	-	V	VIN=VIH or VIL IOH = -20 μA IOH = -2mA IOH = -2.6mA
		4.5	4.4	4.5	-	4.4	-		
		6.0	5.9	6.0	-	5.9	-		
		4.5	4.18	4.31	-	4.13	-		
		6.0	5.68	5.80	-	5.63	-		
	VOL	2.0	-	0.0	0.1	-	0.1	V	VIN=VIH IOL = 20 μA IOL = 2mA IOL = 2.6mA
		4.5	-	0.0	0.1	-	0.1		
		6.0	-	0.0	0.1	-	0.1		
		4.5	-	0.17	0.26	-	0.33		
		6.0	-	0.18	0.26	-	0.33		
Input Current	IIN	6.0	-0.1	-	0.1	-1.0	1.0	μA	VIN = VCC or GND
Static Current	ICC	6.0	-	-	1.0	-	10.0	μA	VIN = VCC or GND

AC Electrical Characteristics

(CL=15pF, tr=tf=6ns, VCC=5V)

Parameter	Sym.	Top = 25°C			Units	Conditions
		Min.	Typ.	Max.		
High Output Down-time	tTLH	-	5	10	ns	Refer to following test circuit
	tTHL	-	5	10		
Propagation Delay-time	tPLH	-	7	15	ns	Refer to following test circuit
	tPHL	-	7	15		

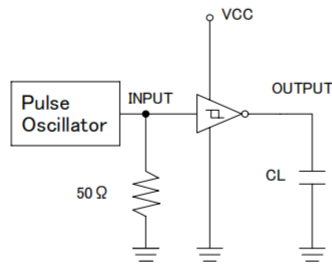


(CL=50pF, tr=tf=6ns)

Parameter	Sym.	VCC	Top = 25°C			Top = -40~+85°C		Units	Conditions
			Min.	Typ.	Max.	Min.	Max.		
High-Output Down-time	tTLH	2.0	-	50	125	-	155	ns	Refer to test circuit
		4.5	-	14	25	-	31		
		6.0	-	12	21	-	26		
	tTHL	2.0	-	50	125	-	155	ns	
		4.5	-	14	25	-	31		
		6.0	-	12	21	-	26		
Propagation Delay-time	tPLH	2.0	-	48	100	-	125	ns	Refer to test circuit
		4.5	-	12	20	-	25		
		6.0	-	9	17	-	21		
	tPHL	2.0	-	48	100	-	125	ns	
		4.5	-	12	20	-	25		
		6.0	-	9	17	-	21		
Input Capacity	CIN	-	-	5	10	-	10	pF	
Equivalent Inner Capacity	CPD	-	-	10	-	-	-	pF	

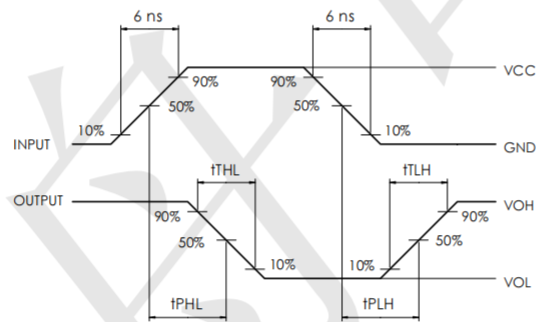
* CPD is IC's inner equivalent capacity which is calculated from non-loaded operating current consumption referred to following test circuit. Averaged operating current consumption at non-load is calculated as following formula;
 $ICC (opr) = CPD \cdot VCC \cdot f_{IN} + ICC$

Test Circuit And Waveforms



* Output should be opened when measuring current consumption.

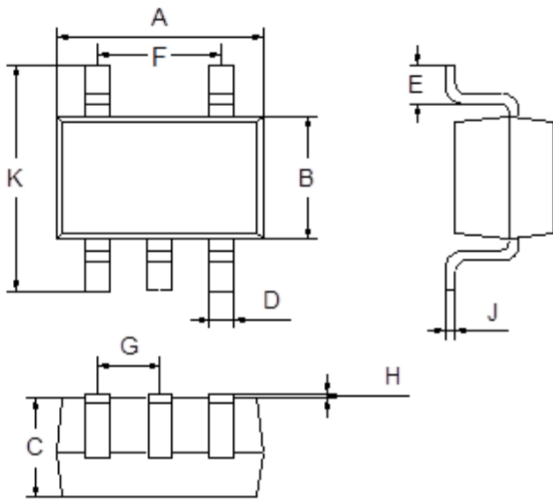
Measured Wave Pattern





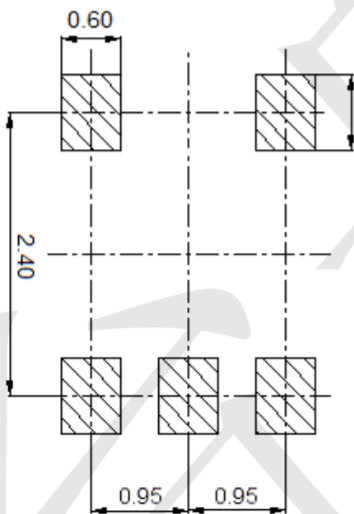
Package Outline Dimensions (Unit: mm)

SOT23-5



Dimension	Min.	Max.
A	2.80	3.00
B	1.50	1.70
C	1.00	1.20
D	0.35	0.45
E	0.35	0.55
F	1.80	2.00
G	0.90	1.00
H	0.02	0.10
J	0.10	0.20
K	2.60	3.00

Mounting Pad Layout (Unit: mm)



X-ON Electronics

Largest Supplier of Electrical and Electronic Components

Click to view similar products for [Logic Gates](#) category:

Click to view products by [TECH PUBLIC](#) manufacturer:

Other Similar products are found below :

[74HC85N](#) [NL17SG32DFT2G](#) [CD4068BE](#) [NL17SG86DFT2G](#) [NLX1G11AMUTCG](#) [NLX1G97MUTCG](#) [74LS38](#) [74LVC1G08Z-7](#)
[CD4025BE](#) [NLV17SZ00DFT2G](#) [NLV17SZ126DFT2G](#) [NLV27WZ17DFT2G](#) [NLV74HC02ADR2G](#) [74HC32S14-13](#) [74LS133](#)
[74LVC1G32Z-7](#) [74LVC1G86Z-7](#) [NLV74HC14ADR2G](#) [NLV74HC20ADR2G](#) [NLVVHC1G09DFT1G](#) [NLX2G86MUTCG](#)
[74LVC2G32RA3-7](#) [74LVC2G00HD4-7](#) [NL17SG02P5T5G](#) [74LVC2G86HK3-7](#) [NLVVHC1G14DFT2G](#) [NLX1G99DMUTWG](#)
[NLVVHC1G00DFT2G](#) [NLV7SZ57DFT2G](#) [NLV74VHC04DTR2G](#) [NLV27WZ00USG](#) [NLU1G86CMUTCG](#) [NLU1G08CMUTCG](#)
[NL17SZ32P5T5G](#) [NL17SZ00P5T5G](#) [NL17SH02P5T5G](#) [74AUP2G00RA3-7](#) [NLVVHC1GT00DFT2G](#) [NLV74HC02ADTR2G](#)
[NLX1G332CMUTCG](#) [NLVHCT132ADTR2G](#) [NL17SG86P5T5G](#) [NL17SZ05P5T5G](#) [NLV74VHC00DTR2G](#) [NLVVHC1G02DFT1G](#)
[NLV74HC86ADR2G](#) [74LVC2G32HK3-7](#) [74LVC2G86RA3-7](#) [NL17SZ38DBVT1G](#) [NLV18SZ00DFT2G](#)