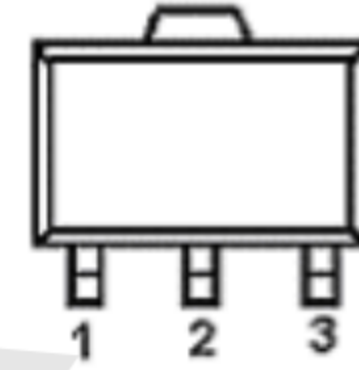


■ Features

- Maximum output current
 $I_{OM}: 0.1A$
- Output voltage
 $V_O: 8V$
- Continuous total dissipation
 $P_D: 0.5W$



1.OUT
2.GND
3.IN

Marking: 78L08

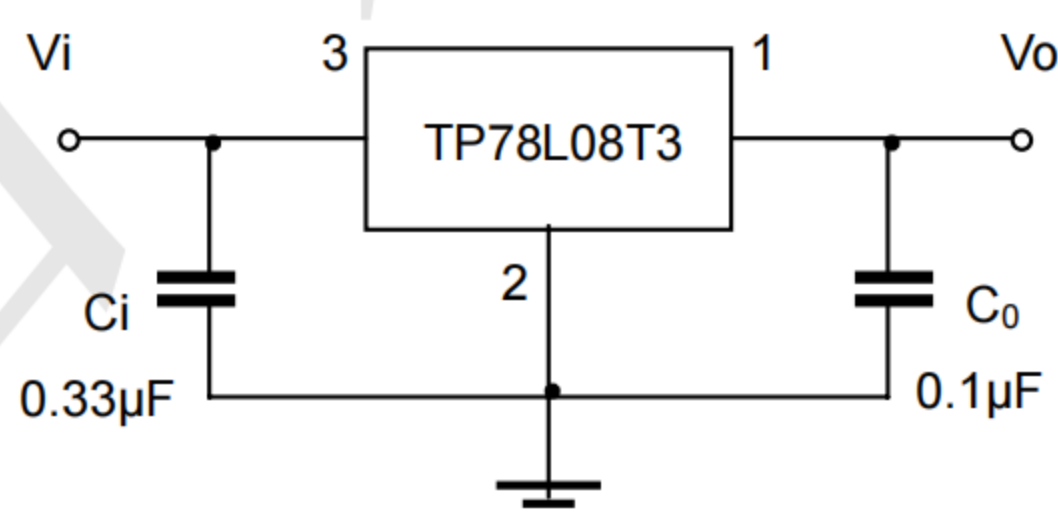
■ Absolute Maximum Ratings $T_a = 25^\circ C$

| Parameter | Symbol | Value | Units |
|--------------------------------------|-----------|----------|------------|
| Input Voltage | V_I | 30 | V |
| Operating Junction Temperature Range | T_{OPR} | 0~+150 | $^\circ C$ |
| Storage Temperature Range | T_{STG} | -55~+150 | $^\circ C$ |

■ Electrical Characteristics ($V_I=10V, I_o=40mA, 0^\circ C < T_j < 125^\circ C, C_1=0.33 \mu F, C_o=0.1 \mu F$, unless otherwise specified)

| Parameter | Symbol | Test conditions | Min | Typ | Max | Unit |
|--------------------------|--------------|---|-----|-----|-----|---------|
| Output voltage | V_o | $25^\circ C$ | 7.7 | 8.0 | 8.3 | V |
| | | $10.5V \leq V_I \leq 23V, I_o=1mA \sim 40mA$ | 7.6 | 8.0 | 8.4 | V |
| | | $0-125^\circ C, I_o=1mA \sim 70mA$ | 7.6 | 8.0 | 8.4 | V |
| Load Regulation | ΔV_o | $I_o=1mA \sim 100mA, 25^\circ C$ | | 18 | 80 | mV |
| | | $I_o=1mA \sim 40mA, 25^\circ C$ | | 10 | 40 | mV |
| Line regulation | ΔV_o | $10.5V \leq V_I \leq 23V, 25^\circ C$ | | 42 | 175 | mV |
| | | $11V \leq V_I \leq 23V, 25^\circ C$ | | 36 | 125 | mV |
| Quiescent Current | I_q | $25^\circ C$ | | 4 | 6 | mA |
| Quiescent Current Change | ΔI_q | $11V \leq V_I \leq 23V, 0-125^\circ C$ | | | 1.5 | mA |
| | | $1mA \leq I_o \leq 40mA, 0-125^\circ C$ | | | 0.1 | mA |
| Output Noise Voltage | V_N | $10Hz \leq f \leq 100KHz, 25^\circ C$ | | 54 | | μV |
| Ripple Rejection | RR | $13V \leq V_I \leq 23V, f=120Hz, 0-125^\circ C$ | 37 | 46 | | dB |
| Dropout Voltage | V_d | $25^\circ C$ | | 1.7 | | V |

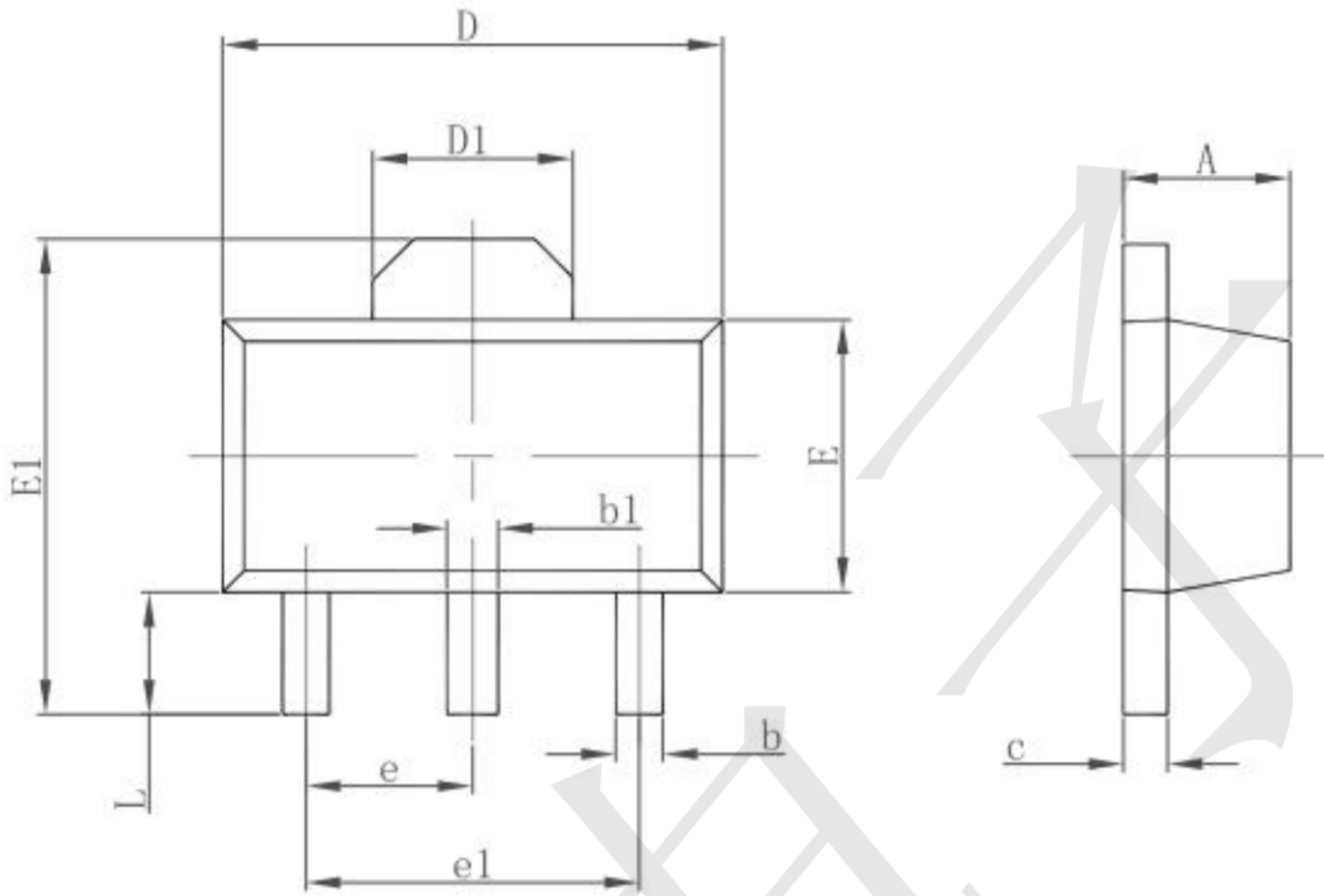
■ Typical application.





Package information

SOT89-3



| Symbol | Dimensions In Millimeters | | Dimensions In Inches | |
|--------|---------------------------|-------|----------------------|-------|
| | Min. | Max. | Min. | Max. |
| A | 1.400 | 1.600 | 0.055 | 0.063 |
| b | 0.320 | 0.520 | 0.013 | 0.020 |
| b1 | 0.400 | 0.580 | 0.016 | 0.023 |
| c | 0.350 | 0.440 | 0.014 | 0.017 |
| D | 4.400 | 4.600 | 0.173 | 0.181 |
| D1 | 1.550 REF. | | 0.061 REF. | |
| E | 2.300 | 2.600 | 0.091 | 0.102 |
| E1 | 3.940 | 4.250 | 0.155 | 0.167 |
| e | 1.500 TYP. | | 0.060 TYP. | |
| e1 | 3.000 TYP. | | 0.118 TYP. | |
| L | 0.900 | 1.200 | 0.035 | 0.047 |

X-ON Electronics

Largest Supplier of Electrical and Electronic Components

Click to view similar products for [Linear Voltage Regulators](#) category:

Click to view products by [TECH PUBLIC](#) manufacturer:

Other Similar products are found below :

[LV5684PVD-XH](#) [MCDTSA6-2R](#) [L7815ACV-DG](#) [LV56801P-E](#) [UA7805CKC](#) [714954EB](#) [ZMR500QFTA](#) [BA033LBSG2-TR](#)
[NCV78M05ABDTRKG](#) [LV5680P-E](#) [L79M05T-E](#) [L78LR05D-MA-E](#) [NCV317MBTG](#) [NTE7227](#) [MP2018GZD-33-P](#) [MP2018GZD-5-P](#)
[LV5680NPVC-XH](#) [ZTS6538SE](#) [UA78L09CLP](#) [UA78L09CLPR](#) [CAT6221-PPTD-GT3](#) [MC78M09CDTRK](#) [NCV51190MNTAG](#)
[BL1118CS8TR1833](#) [BL8077CKETR33](#) [BL9153-33CC3TR](#) [BL9161G-28BADRN](#) [BRCO7530MMC](#) [CJ7815B-TFN-ARG](#) [LM317C](#)
[GM7333K](#) [GM7350K](#) [XC6206P332MR](#) [HT7533](#) [LM7912S/TR](#) [LT1764S/TR](#) [LM7805T](#) [LM338T](#) [LM1117IMP-3.3/TR](#) [HT1117AM-3.3](#)
[HT7550S](#) [AMS1117-3.3](#) [HT7150S](#) [78L12](#) [HT7550](#) [HT7533-1](#) [HXY6206I-2.5](#) [HT7133](#) [HT7533S](#) [662K](#)