

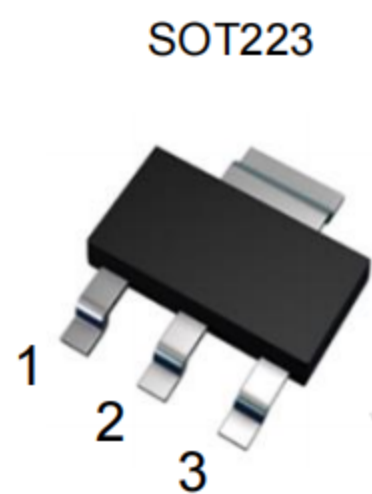


Features

- High Collector Current
- Low Collector-emitter Saturation Voltage

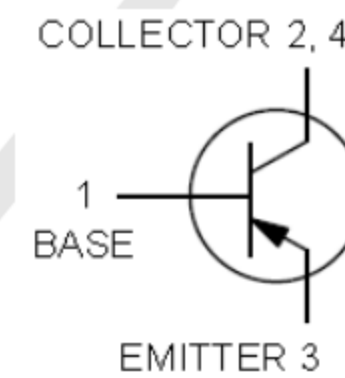
Mechanical Data

- Case: SOT-223
- Molding compound, UL flammability classification rating 94V-0
- Terminals: Matte tin plated leads, solderable per MIL-STD-202, Method 208



Marking:BCP51-16

Circuit Diagram



Absolute Maximum Ratings (Tamb=25°C unless otherwise specified)

Parameter	Symbol	TPBCP51-16	Unit
Collector-Base Voltage	V_{CBO}	-45	V
Collector-Emitter Voltage	V_{CEO}	-45	V
Emitter-Base Voltage	V_{EBO}	-5	V
Collector Current (Continuous)	I_C	-1	A
Collector Current (Peak)	I_{CM}	-1.5	A



Thermal Characteristic

Parameter	Symbol	Value	Unit
Power Dissipation ($T_A = 25^\circ\text{C}$) *1	P_D	1.5	W
Thermal Resistance Junction-to-Air *2	$R_{\theta JA}$	104	$^\circ\text{C/W}$
Thermal Resistance Junction-to-Case *2	$R_{\theta JC}$	32	$^\circ\text{C/W}$
Thermal Resistance Junction-to-Lead *2	$R_{\theta JL}$	14	$^\circ\text{C/W}$
Operating junction Temperature	T_J	-55 ~ +150	$^\circ\text{C}$
Storage Temperature Range	T_{STG}	-55 ~ +150	$^\circ\text{C}$

Electrical Characteristics ($T_A=25^\circ\text{C}$ unless otherwise specified)

Parameter	Symbol	Test Condition	Min.	Typ.	Max.	Unit
Collector-Base Breakdown Voltage	$V_{(BR)CBO}$	$I_C = -100\mu\text{A}, I_E = 0$	-45	-	-	V
Collector-Emitter Breakdown Voltage	$V_{(BR)CEO}$	$I_C = -10\text{mA}, I_B = 0$	-45	-	-	V
Emitter-Base Breakdown Voltage	$V_{(BR)EBO}$	$I_E = -10\mu\text{A}, I_C = 0$	-5	-	-	V
Collector Cut-off Current	I_{CBO}	$V_{CB} = -30\text{V}, I_E = 0$	-	-	-100	nA
DC Current Gain	h_{FE}	$V_{CE} = -2\text{V}, I_C = -5\text{mA}$	25	-	-	-
		$V_{CE} = -2\text{V}, I_C = -150\text{mA}$	100	-	250	-
		$V_{CE} = -2\text{V}, I_C = -500\text{mA}$	25	-	-	-
Collector-Emitter Saturation Voltage	$V_{CE(sat)}$	$I_C = -500\text{mA}, I_B = -50\text{mA}$	-	-	-0.5	V
Base-Emitter Voltage	$V_{BE(on)}$	$I_C = -500\text{mA}, V_{CE} = -2\text{V}$	-	-	-1	V
Transition Frequency	f_T	$V_{CE} = -10\text{V}, I_C = -50\text{mA}$ $f = 20\text{MHz}$	-	125	-	MHz



Typical Electrical Characteristic Curves

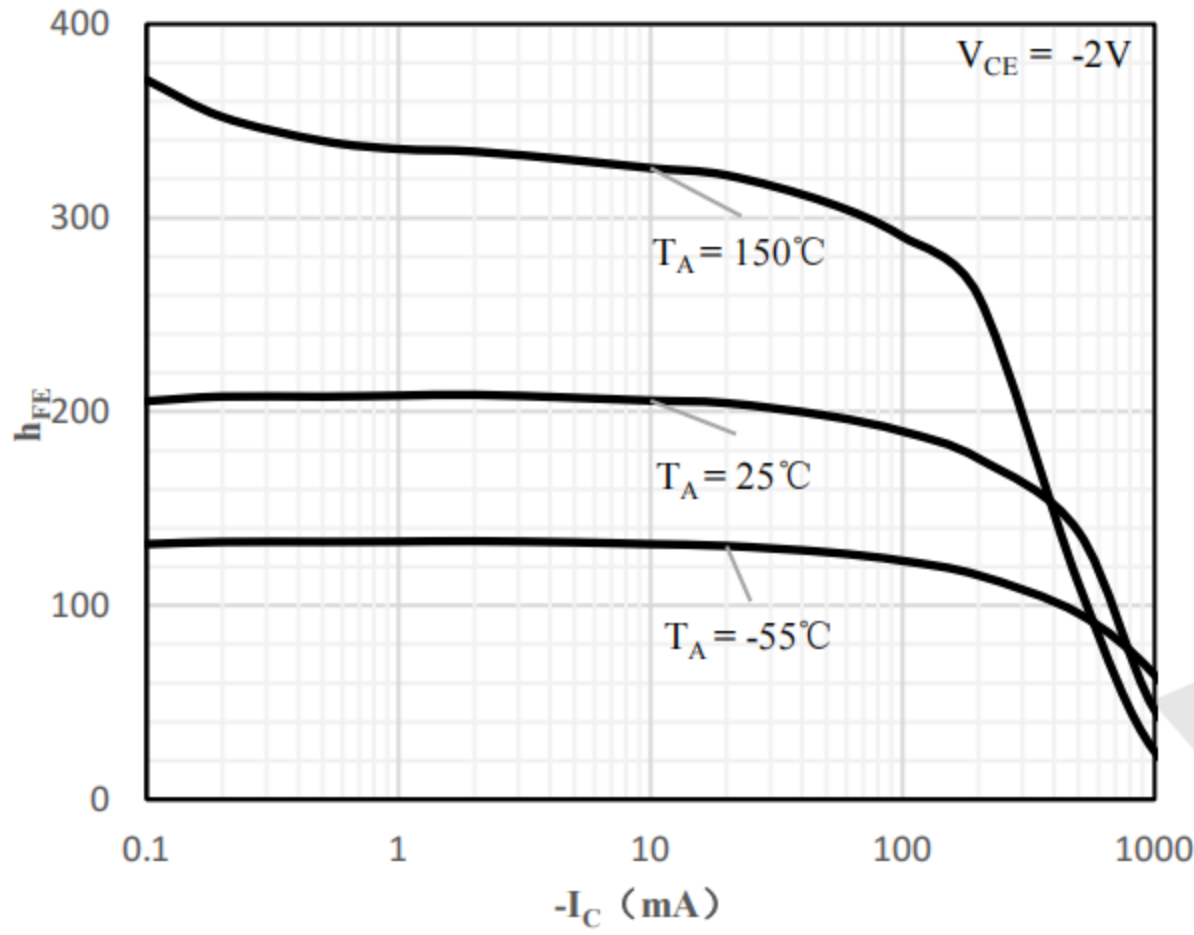


Fig 1 h_{FE} vs. I_C (BCP51/52/53-16)

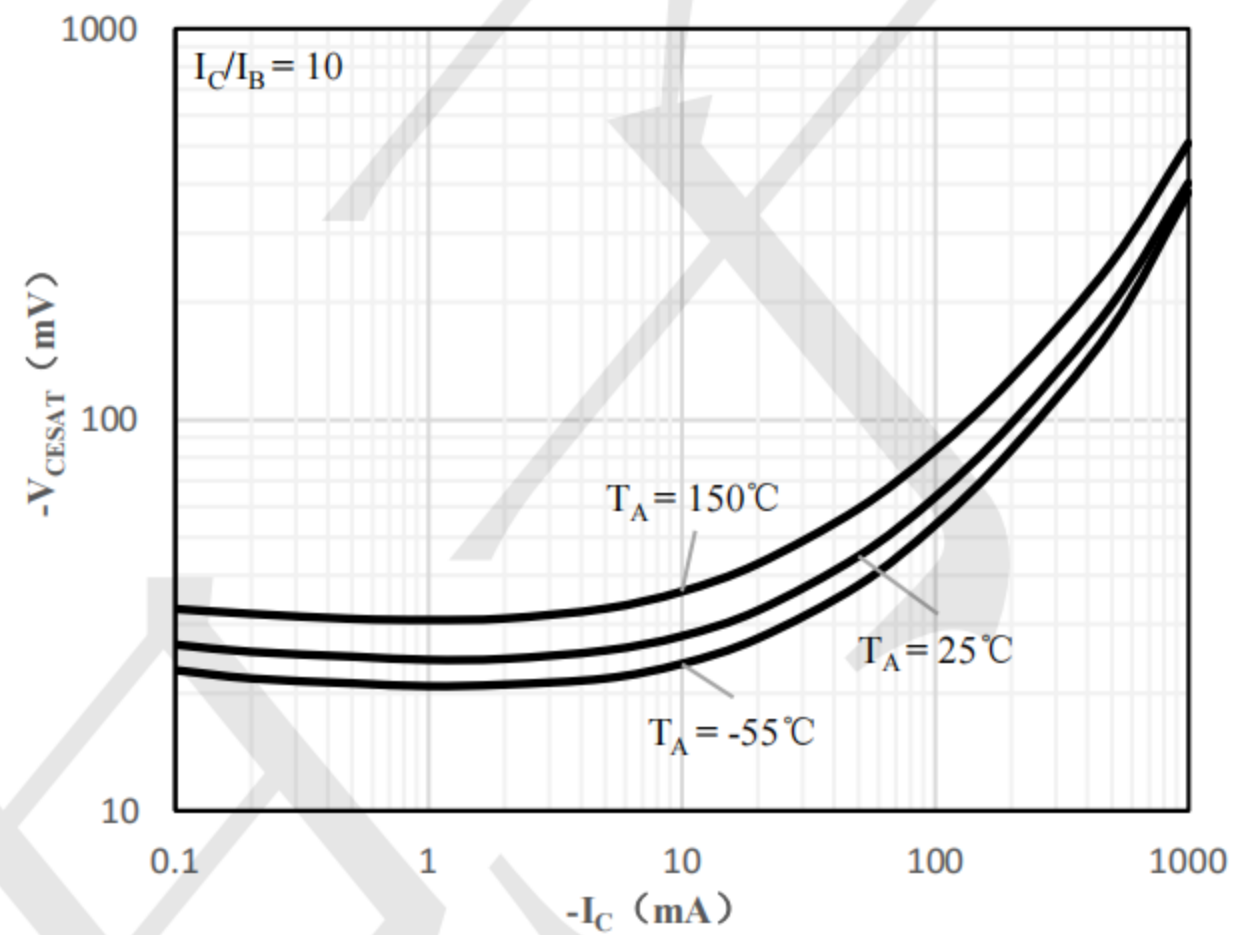


Fig 2 $V_{CE(sat)}$ vs. I_C

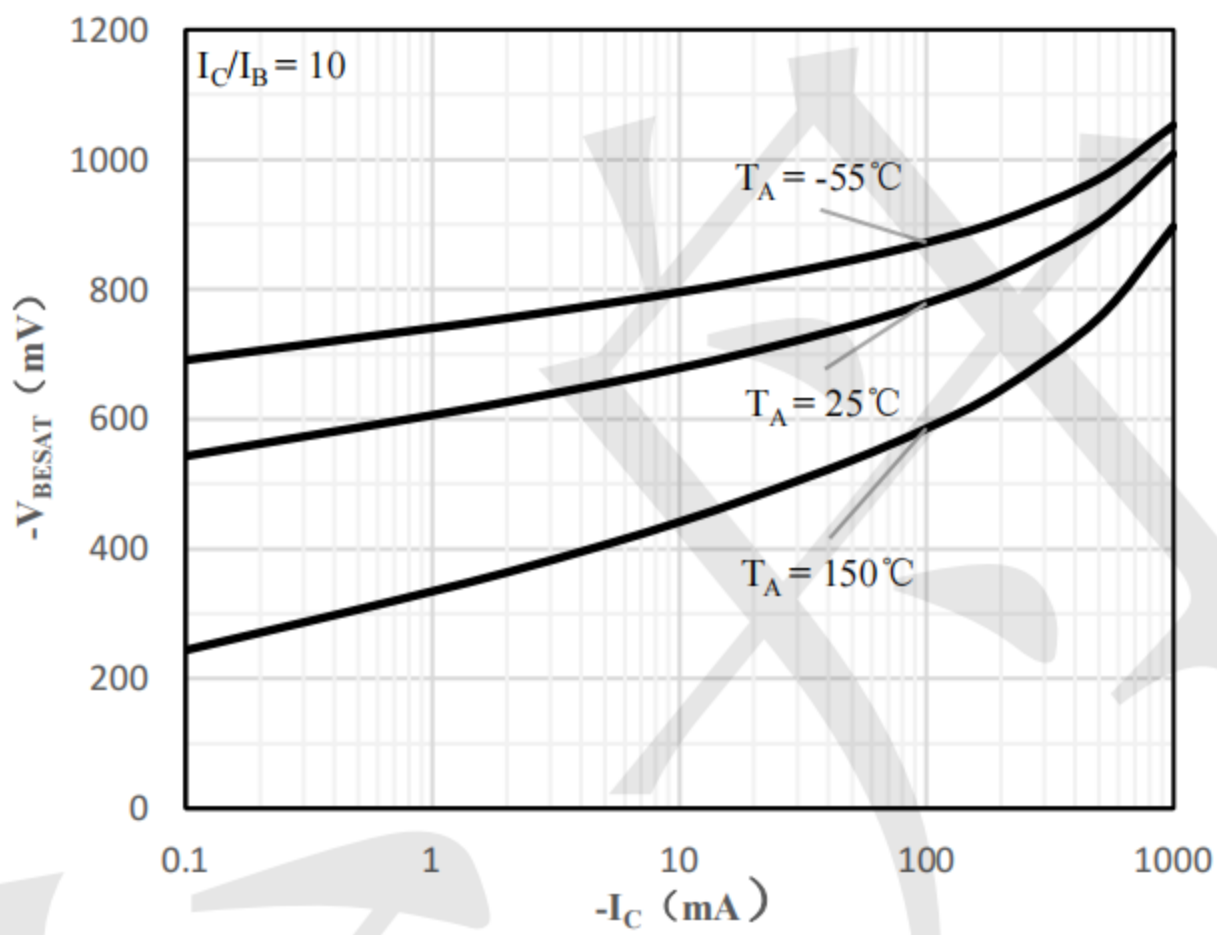


Fig 3 $V_{BE(sat)}$ vs. I_C

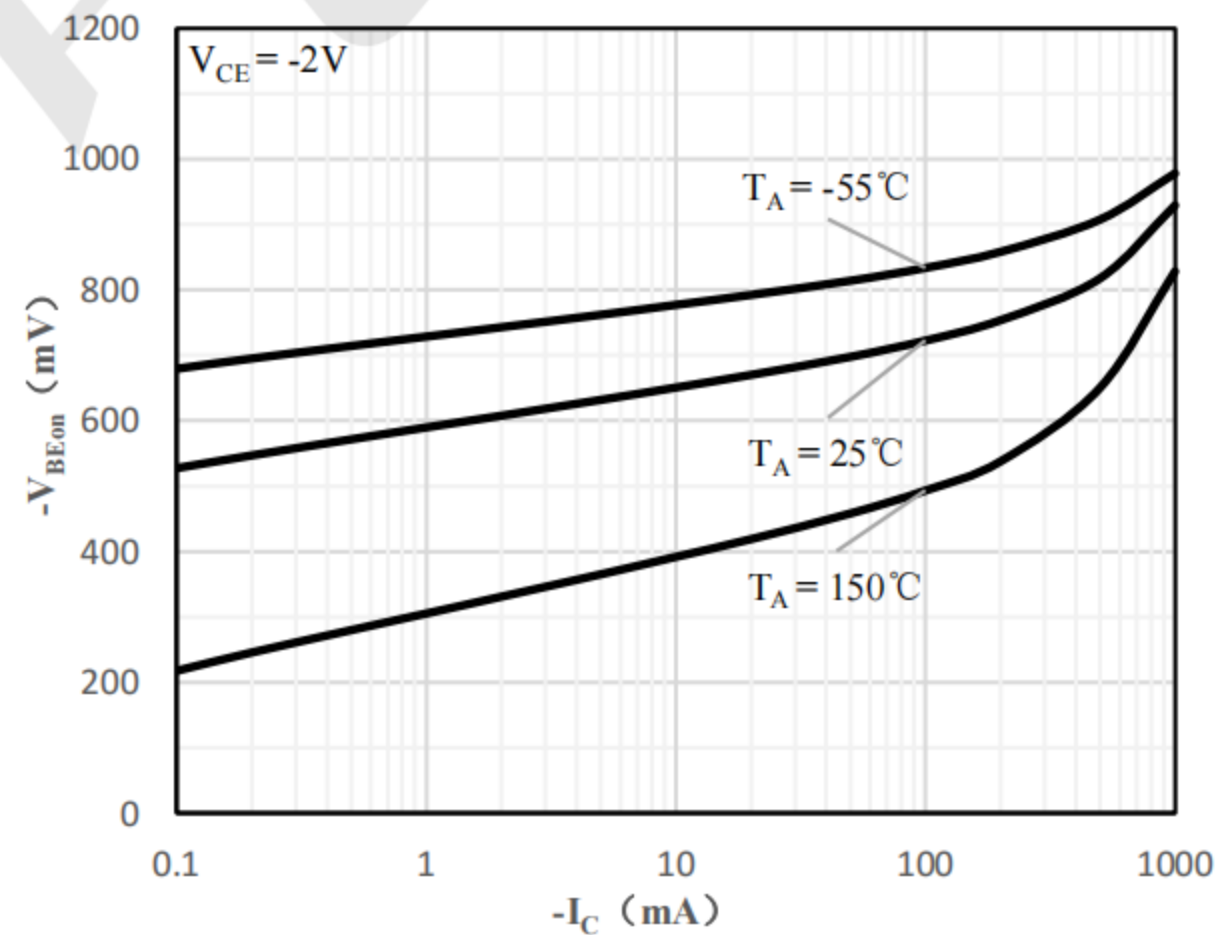


Fig 4 $V_{BE(ON)}$ vs. I_C

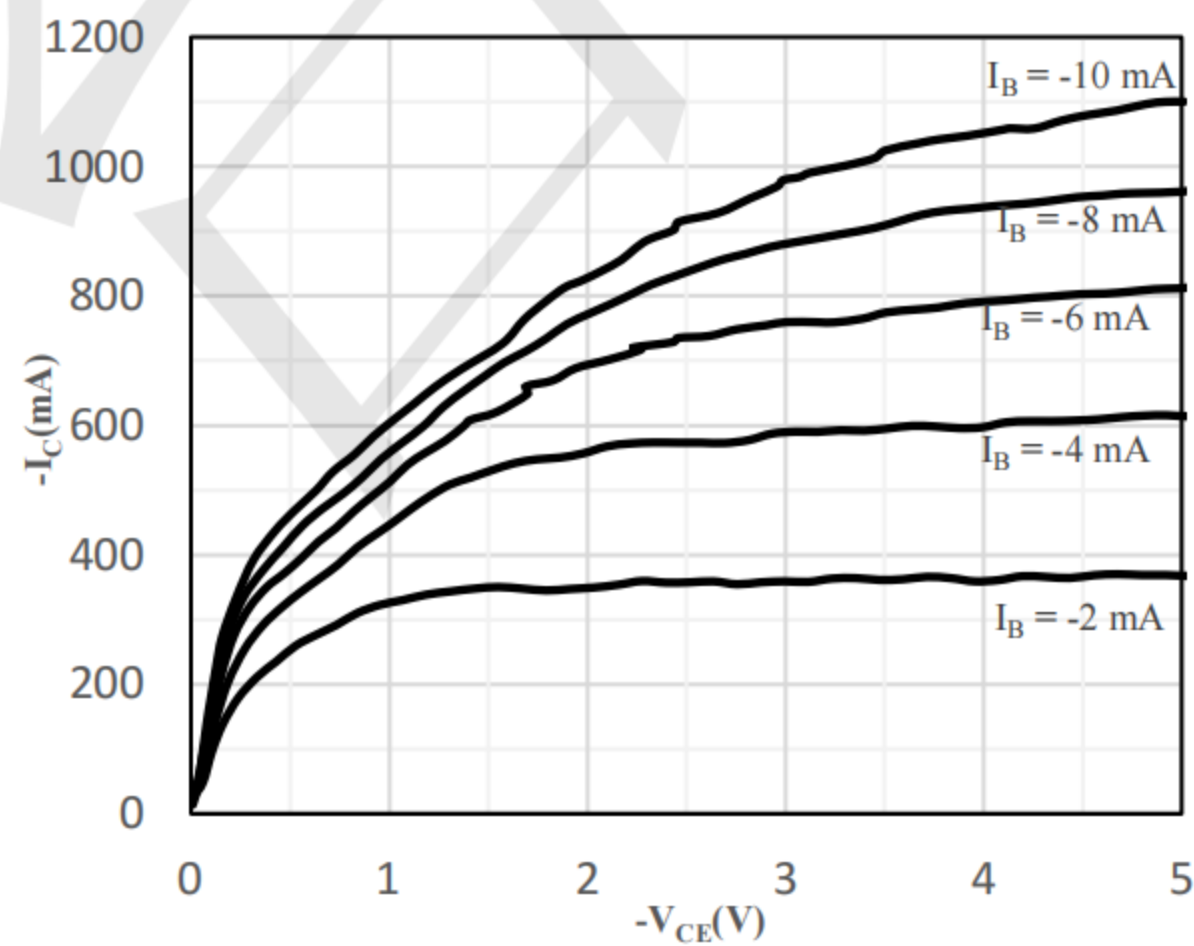


Fig 5 I_C vs. V_{CE}

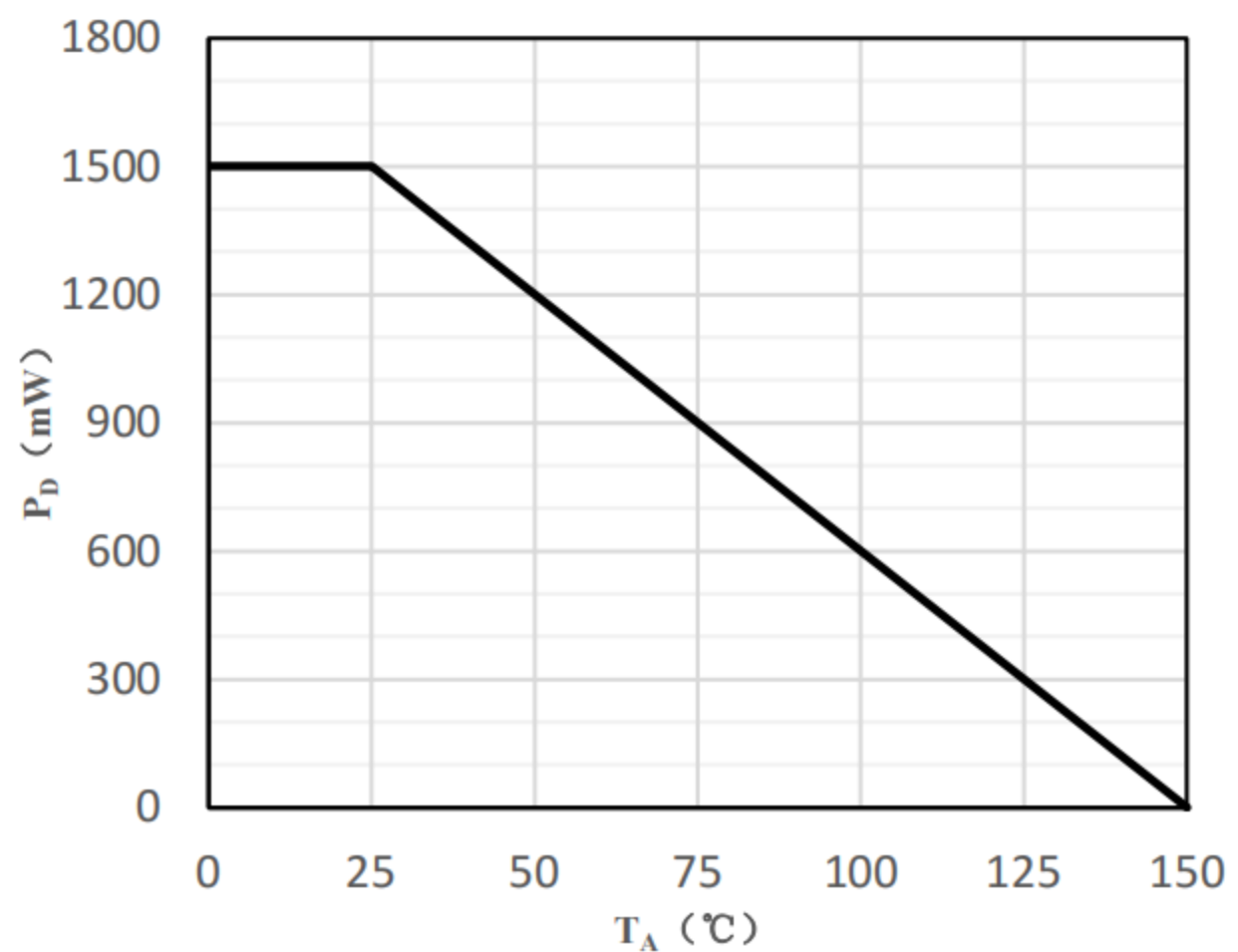
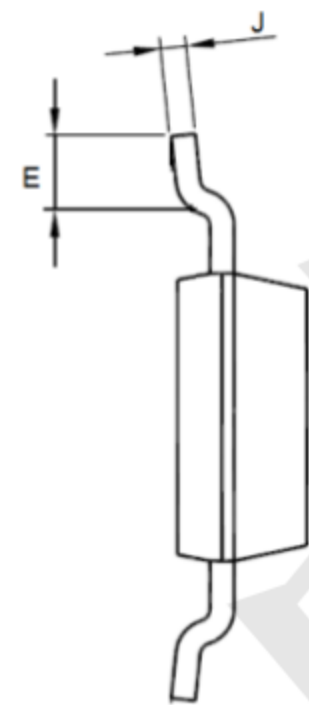
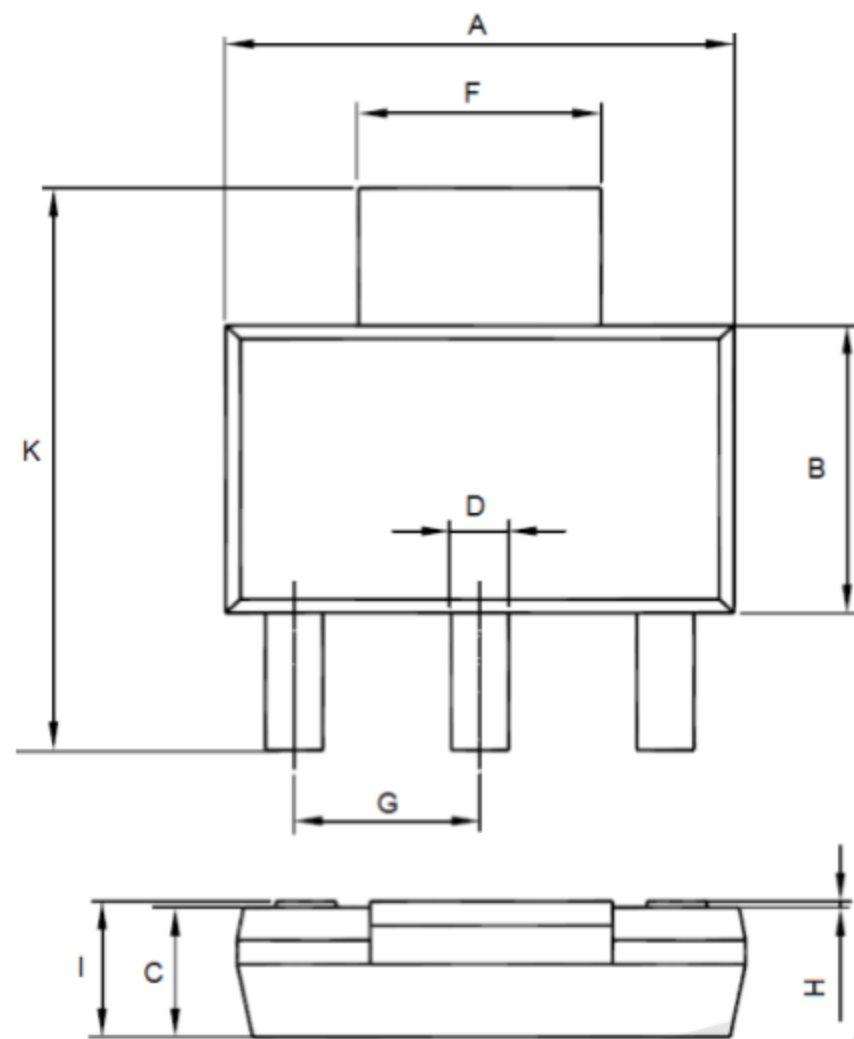


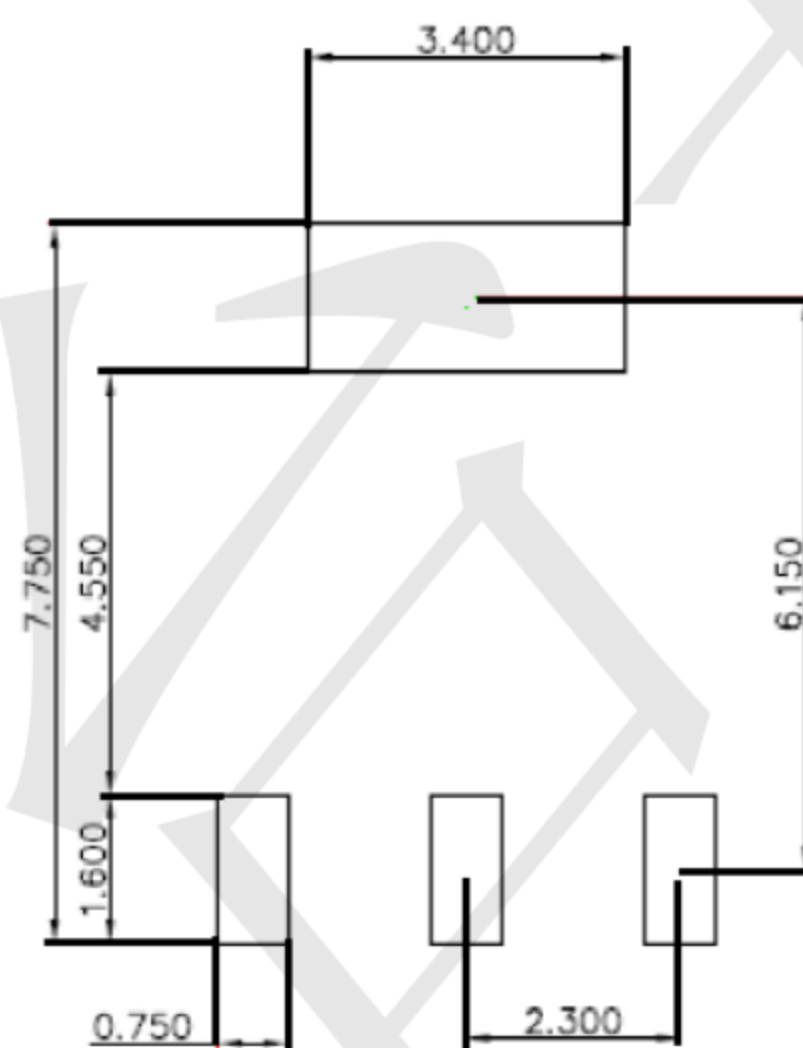
Fig 6 P_D vs. T_A



Outline Drawing - SOT223



SOT-223		
Dim	Min	Max
A	6.10	6.50
B	3.30	3.70
C	1.50	1.70
D	0.66	0.82
E	0.90	1.15
F	2.90	3.10
G	2.20	2.40
H	0.02	0.10
I	1.52	1.80
J	0.20	0.40
K	6.70	7.30



X-ON Electronics

Largest Supplier of Electrical and Electronic Components

Click to view similar products for [Bipolar Transistors - BJT category](#):

Click to view products by [TECH PUBLIC manufacturer](#):

Other Similar products are found below :

[BC559C](#) [MCH4017-TL-H](#) [MMBT-2369-TR](#) [BC546/116](#) [NJVMJD148T4G](#) [NTE16](#) [NTE195A](#) [IMX9T110](#) [2N4401-A](#) [2N4403](#) [2N6728](#)
[2SA1419T-TD-H](#) [2SA2126-E](#) [2SB1204S-TL-E](#) [FMC5AT148](#) [2N2369ADCSM](#) [2N2907A](#) [2N3904-NS](#) [2N5769](#) [2SC4618TLN](#) [CPH6501-](#)
[TL-E](#) [MCH4021-TL-E](#) [Jantx2N5416](#) [US6T6TR](#) [BAX18/A52R](#) [BC556/112](#) [IMZ2AT108](#) [MMST8098T146](#) [UMX21NTR](#) [MCH6102-TL-E](#)
[TTA1452B,S4X\(S](#) [2N3879](#) [NTE13](#) [NTE282](#) [NTE323](#) [NTE350](#) [NTE81](#) [JANTX2N2920L](#) [JANTX2N3735](#) [JANSR2N2222AUB](#)
[CMLT3946EG TR](#) [SNSS40600CF8T1G](#) [CMLT3906EG TR](#) [GRP-DATA-JANS2N2907AUB](#) [GRP-DATA-JANS2N2222AUA](#)
[MMDT3946FL3-7](#) [2N4240](#) [JANS2N3019](#) [MSB30KH-13](#) [2N2221AUB](#)