

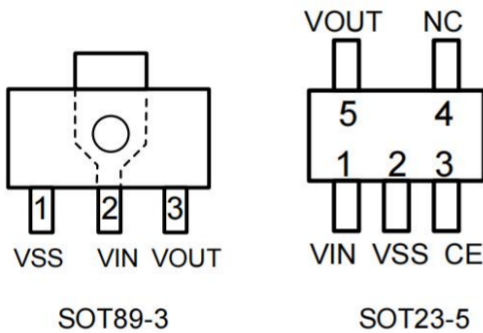
Features

- 1 μ A Current at no Load
- $\pm 2\%$ Output Accuracy
- 300mA Output Current
- Current Limit Protection

Applications

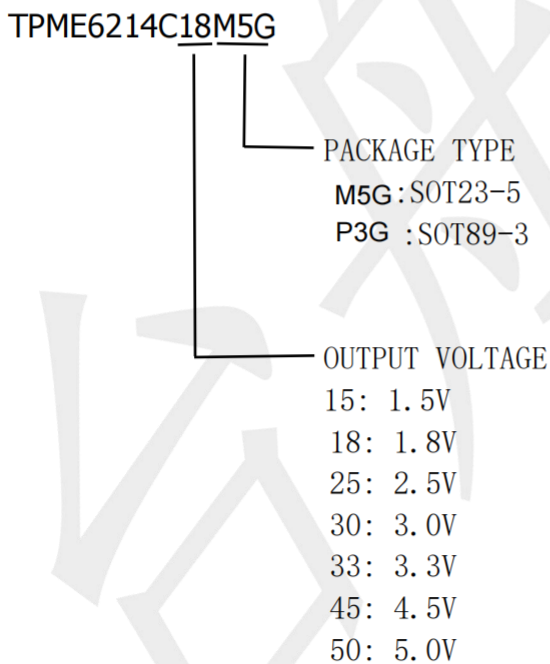
- Industrial Controls
 - Home Automation
 - Low Power Microcontrollers
 - Portable, Battery Powered Equipment

PIN CONFIGURATION



Pin Number		Pin Name	Pin Function
SOT23-5	SOT89-3		
1	2	VIN	Input of Supply Voltage
2	1	GND	Ground
3		EN	Enable Control Input
4		NC	No Internal Connection
5	3	VOUT	Output of the Regulator

Ordering Information



Absolute Maximum Ratings

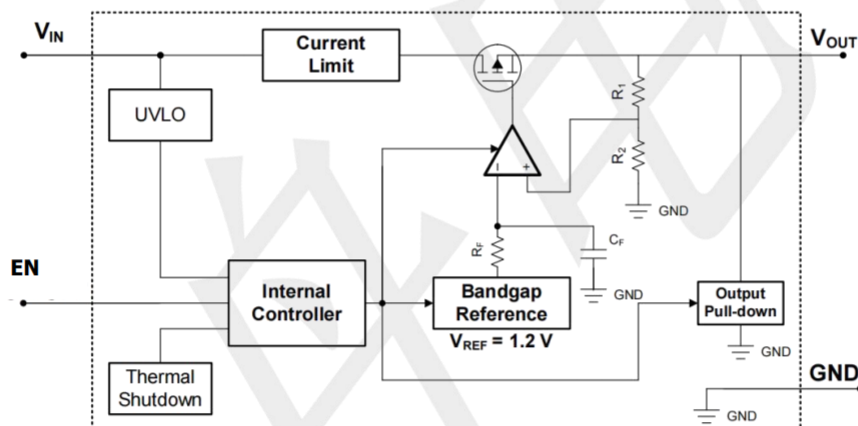
over operating free-air temperature range (unless otherwise noted)

		MIN	MAX	UNIT
V _{IN}	Continuous input voltage range	-0.3	18	V
V _{OUT}	Output voltage range	-0.3	18	
EN	EN pin voltage range	-0.3	18	
I _{OUT}	Output pin current	Internally limited		mA
Temperature	Operating junction, T _J	-40	150	°C
	Storage, T _{stg}	-55	150	

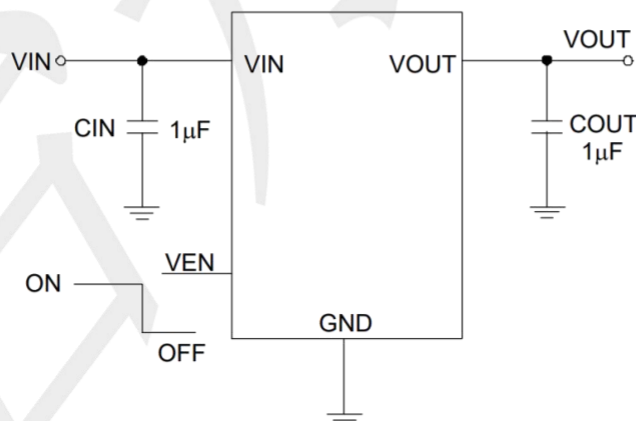
ESD Ratings

			VALUE	UNIT
V (ESD)	Electrostatic discharge	Human body model (HBM)	±2000	V
		Machine Model (MM)	±200	

BLOCK DIAGRAM



Typical Application Circuit



Electrical Characteristics

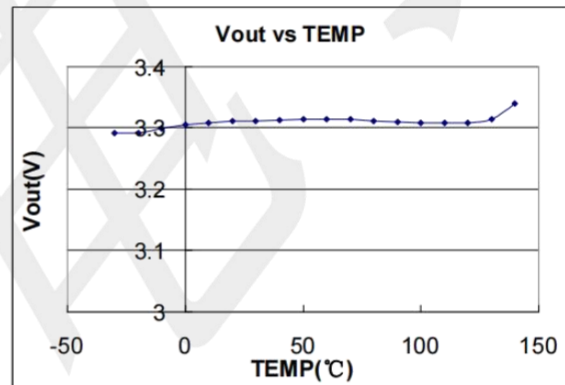
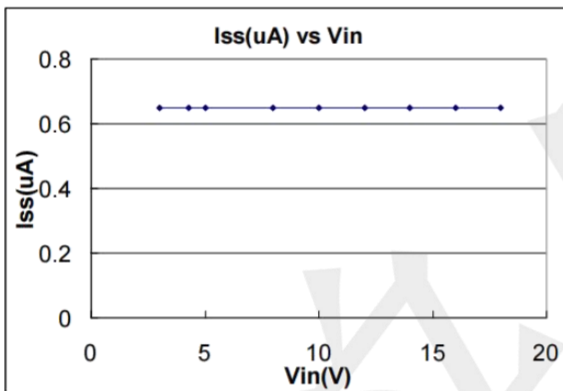
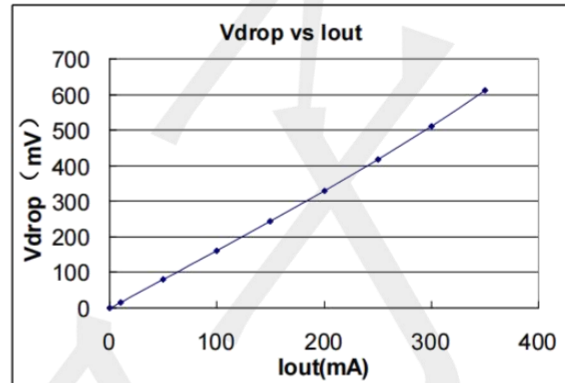
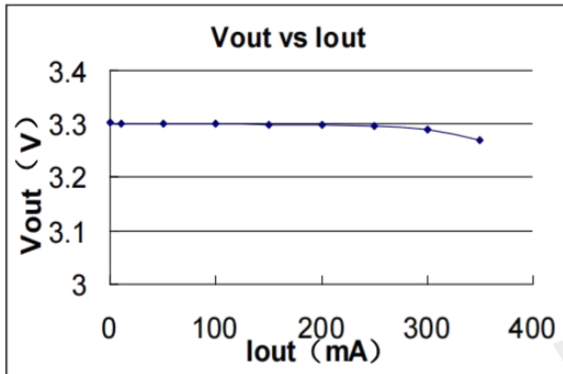
(VIN=15V, VEN=5V, TA=25°C, unless otherwise specified)

PARAMETER	SYMBOL	TEST Conditions	MIN	TYP	MAX	UNIT
Supply Voltage	VIN		2	--	18	V
Output current	IOUT		0	--	300	mA
DC Output Voltage Accuracy		IOUT = 0.1mA	-2	--	2	%
Dropout Voltage (VIN-VOUT)	IOUT = 100mA	VOUT = 1.5V	--	400	--	mV
		VOUT = 1.8V	--	300	--	
		VOUT = 2.8V	--	200	--	
		VOUT = 3.0V	--	180	--	
		VOUT = 3.3V	--	160	--	
		VOUT = 4.5V	--	130	--	
		VOUT = 5.0V	--	120	--	
Maximum output current	Ioutmax	VIN= VOUT+1V	--	250	--	mA
Ground Current (IOUT = 0mA)	Iq	VOUT = 3.3V	--	1.5	--	uA
Shutdown Ground Current	ISD	VEN = 0V,	--	0.01	0.5	
VOUT Shutdown Leakage Current	I LEAK	VOUT = 0V	--	0.01	0.5	
Enable Threshold Voltage	VIH	EN Rising	1.3	--	--	V
	VIL	EN Falling	--	--	0.7	
EN Input Current	IEN	VEN = 16V	--	10	100	nA
Line Regulation	Δ LINE	IOUT = 1mA, 10 ≤ VIN ≤ 16V	--	0.3	--	%
Load Regulation	Δ LOAD	10mA ≤ IOUT ≤ 100mA	--	0.3	--	
Output Current Limit	ILIM	VOUT=0.9× VOUT(NOM)	100	250	400	mA
Power Supply Rejection Ratio	PSRR	VOUT = 5V, IOUT = 30mA, VIN = 12V, f = 1kHz	--	70	--	dB
Thermal Shutdown Temperature	TSD	IOUT = 10mA	--	160	--	°C
Thermal Shutdown Hysteresis	Δ TSD		--	15	--	
Package Thermal Resistance θ JA (Note 1)	SOT23-5	Thermal Resistance	--	210	--	°C/W
	SOT89-3	Junction-toAmbient	--	100	--	
Total Power Dissipation Tc=25°C	SOT23-5	PDTOT	--	0.6	--	W
	SOT89-3		--	1.25	--	

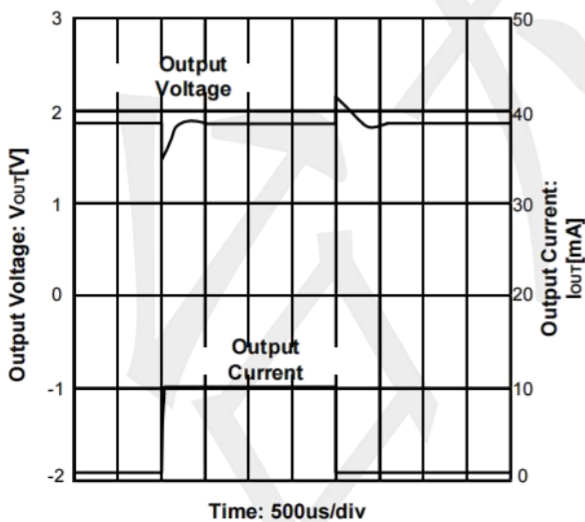
Note: 1. Test condition: For SOT23-5, the device is mounted on FR-4 substrate PC board, with minimum recommended pad layout. SOT89-3 devices are mounted on 1"x1" FR-4 substrate PC board, with minimum recommended pad layout

Typical Operating Characteristics (25 °C, unless otherwise noted)

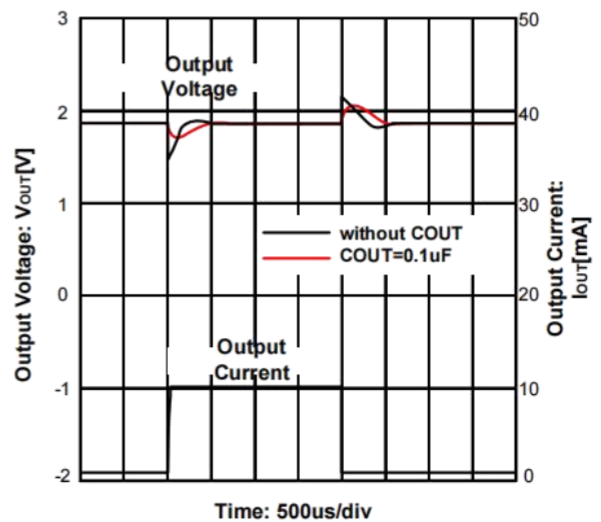
Unless otherwise specified: $T_A = 25^\circ\text{C}$, $V_{IN} = V_O(\text{NOM}) + 1\text{V}$, $C_{OUT} = 1\ \mu\text{F}$, $C_{IN} = 1\ \mu\text{F}$ all voltage options, EN pin tied to VIN.



$I_{OUT} = 1\text{mA} \leftrightarrow 10\text{mA}$, $t_R = t_F = 5\mu\text{s}$, without C_{OUT}

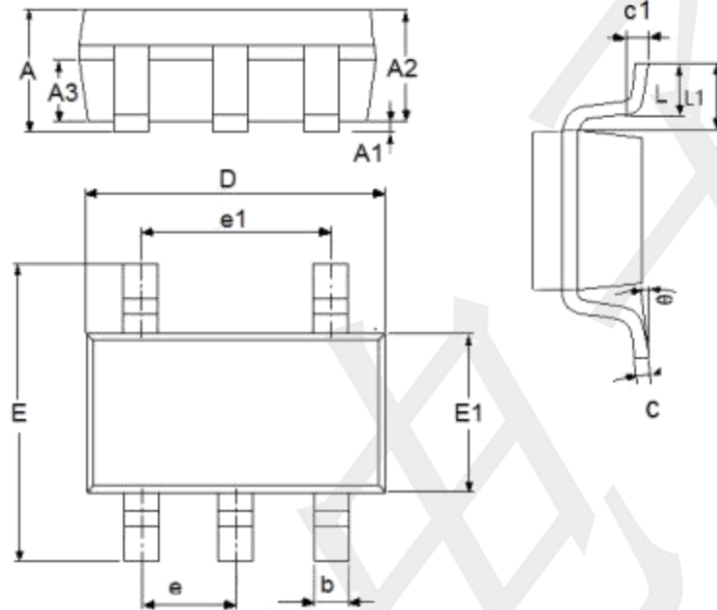


$I_{OUT} = 1\text{mA} \leftrightarrow 10\text{mA}$, $t_R = t_F = 5\mu\text{s}$



Package informantion

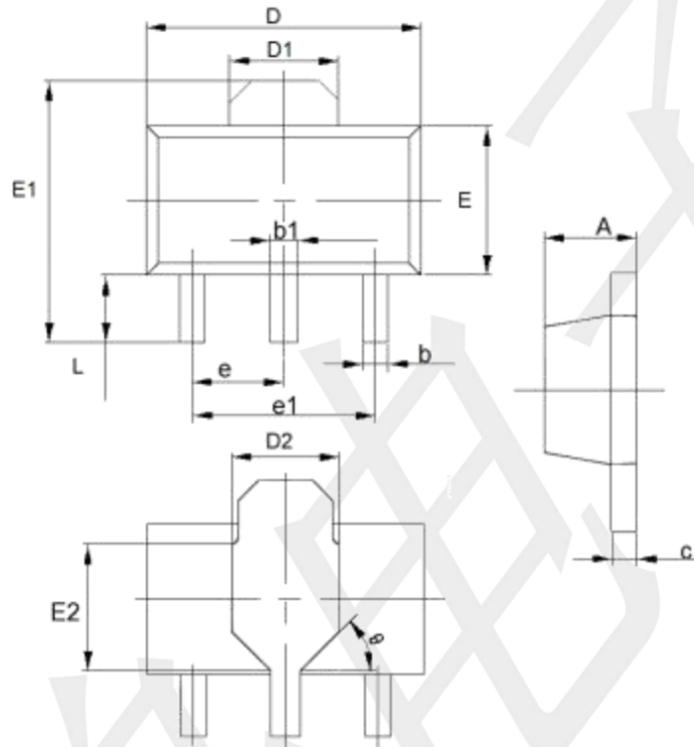
SOT23-5



参数	尺寸 (mm)		尺寸 (Inch)	
	最小值	最大值	最小值	最大值
A	1.05	1.45	0.0413	0.0571
A1	0	0.15	0.0000	0.0059
A2	0.9	1.3	0.0354	0.0512
A3	0.6	0.7	0.0236	0.0276
b	0.25	0.5	0.0098	0.0197
c	0.1	0.23	0.0039	0.0091
D	2.82	3.05	0.1110	0.1201
e1	1.9(TYP)		0.0748(TYP)	
E	2.6	3.05	0.1024	0.1201
E1	1.5	1.75	0.0512	0.0689
e	0.95(TYP)		0.0374(TYP)	
L	0.25	0.6	0.0098	0.0236
L1	0.59(TYP)		0.0232(TYP)	
θ	0	8°	0.0000	8°
c1	0.2(TYP)		0.0079(TYP)	

Package information

SOT89-3



参数	尺寸 (mm)		尺寸 (Inch)	
	最小值	最大值	最小值	最大值
A	1.4	1.6	0.0551	0.0630
b	0.32	0.52	0.0126	0.0205
b1	0.4	0.58	0.0157	0.0228
c	0.35	0.45	0.0138	0.0177
D	4.4	4.6	0.1732	0.1811
D1	1.55(TYP)		0.061(TYP)	
D2	1.75(TYP)		0.0689(TYP)	
e1	3.0(TYP)		0.1181(TYP)	
E	2.3	2.6	0.0906	0.1023
E1	3.94	4.4	0.1551	0.1732
E2	1.9(TYP)		0.0748(TYP)	
e	1.5(TYP)		0.0591(TYP)	
L	0.8	1.2	0.0315	0.0472
θ	45°		45°	

X-ON Electronics

Largest Supplier of Electrical and Electronic Components

Click to view similar products for [Linear Voltage Regulators](#) category:

Click to view products by [TECH PUBLIC](#) manufacturer:

Other Similar products are found below :

[LV5684PVD-XH](#) [MCDTSA6-2R](#) [L7815ACV-DG](#) [714954EB](#) [ZMR500QFTA](#) [BA033LBSG2-TR](#) [LV5680P-E](#) [L79M05T-E](#) [L78LR05D-MA-E](#) [NCV317MBTG](#) [NTE7227](#) [MP2018GZD-33-P](#) [MP2018GZD-5-P](#) [LV5680NPVC-XH](#) [LT1054CN8](#) [UA78L09CLP](#) [UA78L09CLPR](#) [CAT6221-PPTD-GT3](#) [MC78M09CDTRK](#) [NCV51190MNTAG](#) [78M05](#) [HT7150-1](#) [UM1540DB-18](#) [XC6234H281VR-G](#) [WL2834CA-6/TR](#) [TPL730F33-5TR](#) [TLS850F1TA](#) [V50](#) [TPS549B22RVFR](#) [UM1540DB-33](#) [WL9200P3-50B](#) [WL9100P3-33B](#) [WL9005D4-33](#) [XC6219B152MR](#) [WL2855K33-3/TR](#) [PJ54BM33SE](#) [PJ9500M25SA](#) [MD7218E33PC1](#) [H7533-2PR](#) [SK7812AU](#) [SD1A30](#) [78L33](#) [TP78L33T3](#) [L78L33ACUTR](#) [SK6513ST3A-50](#) [SK6054D4-09](#) [SK6054D4-18](#) [SK6054D4-11](#) [SK6054D4-10](#) [LM79L12F](#) [HLP2985AIM5X-5.0](#)