

Features

- 2μA Ground Current at no Load
- ±2% Output Accuracy
- 300mA Output Current
- Wide Operating Input Voltage Range: 2V to 24V
- Dropout Voltage: 0.35V at 100mA ($V_{OUT}=5V$)
- Support Fixed Output Voltage 1.8V, 3.3V, 5V,
- Stable with Ceramic or Tantalum Capacitor
- Current Limit Protection
- Over-Temperature Protection
- SOT-23-5 Package Available
- MIC5235-3.3YM5 Pin to Pin Fully Compatible

Applications

- Portable, Battery Powered Equipment
- Low Power Microcontrollers
- Laptop, Palmtops and PDAs
- Wireless Communication Equipment
- Audio/Video Equipment
- Car Navigation Systems
- Industrial Controls
- Weighting Scales
- Meters
- Home Automation

General Description

The Devices is a low-dropout (LDO) voltage regulators with enable function offering the benefits of high input voltage, low-dropout voltage, low-power consumption, and miniaturized packaging.

The features of low quiescent current as low as 2.0μA and zero disable current is ideal for powering the battery equipment to a longer service life. The Devices

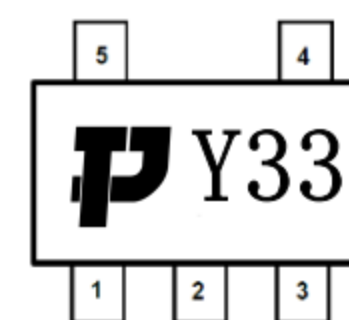
is stable with the ceramic output capacitor over its wide input range from 2V to 24V and the entire range of output load current.

Ordering Information

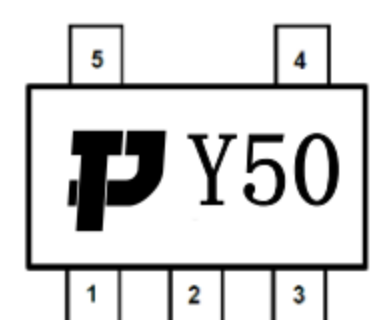
TPMIC5235-3.3YM5

Output voltage: 3.3=3.3V
5.0=5.0V
1.8=1.8V

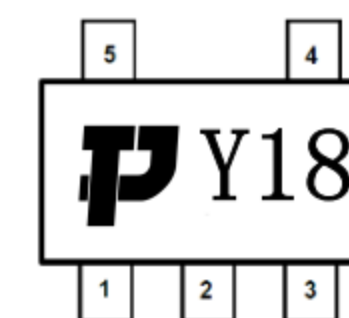
TPMIC5235-3.3YM5



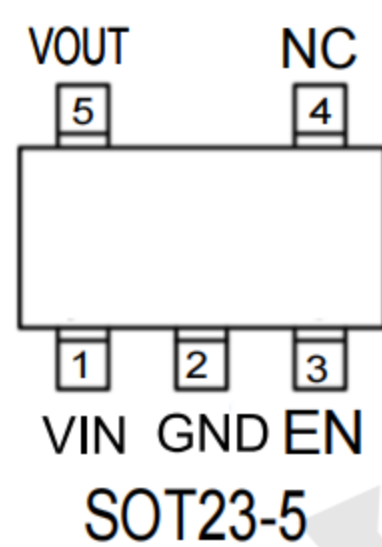
TPMIC5235-3.3YM5



TPMIC5235-1.8YM5

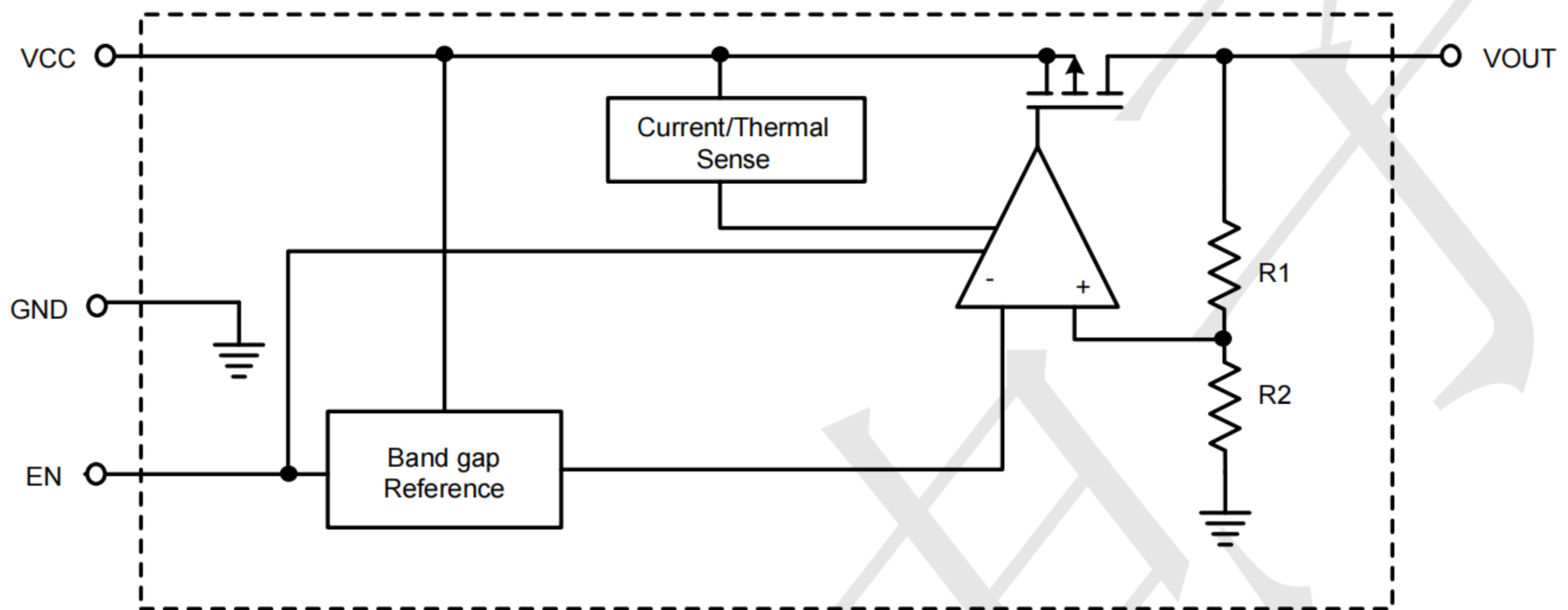


PIN CONFIGURATION



| Pin No | Pin Name | Pin Function |
|--------|----------|--------------------------|
| 1 | VIN | Input of Supply Voltage. |
| 2 | GND | Ground |
| 3 | EN | Enable Control Input. |
| 4 | NC | No Internal Connection. |
| 5 | VOUT | Output of the Regulator |

BLOCK DIAGRAM



Absolute Maximum Ratings

| | |
|---|------------------|
| VIN Pin to GND Pin Voltage | -0.3V to 25V |
| VOUT Pin to GND Pin Voltage | -0.3V to 6.0V |
| VOUT Pin to VIN Pin Voltage | -25V to 0.3V |
| Package Thermal Resistance (Note 2) | |
| SOT-23-5, SOT-23-3, θ_{JA} | 200 °C /W |
| Lead Temperature (Soldering, 10 sec.) | 260 °C |
| Junction Temperature | 150 °C |
| Storage Temperature Range | -40 °C to 150 °C |
| ESD Susceptibility | |
| HBM | 2KV |
| MM | 200V |

Recommended Operating Conditions

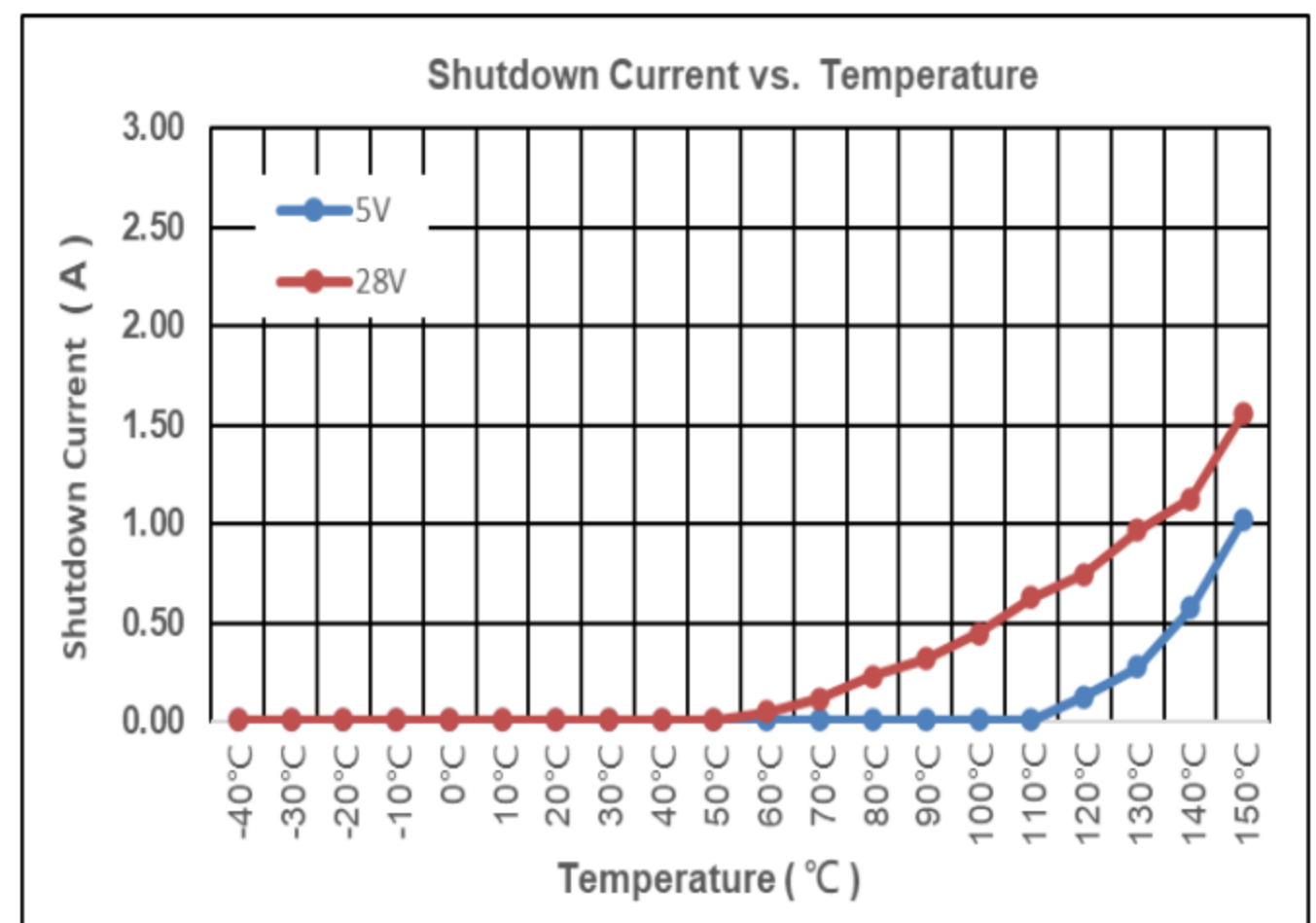
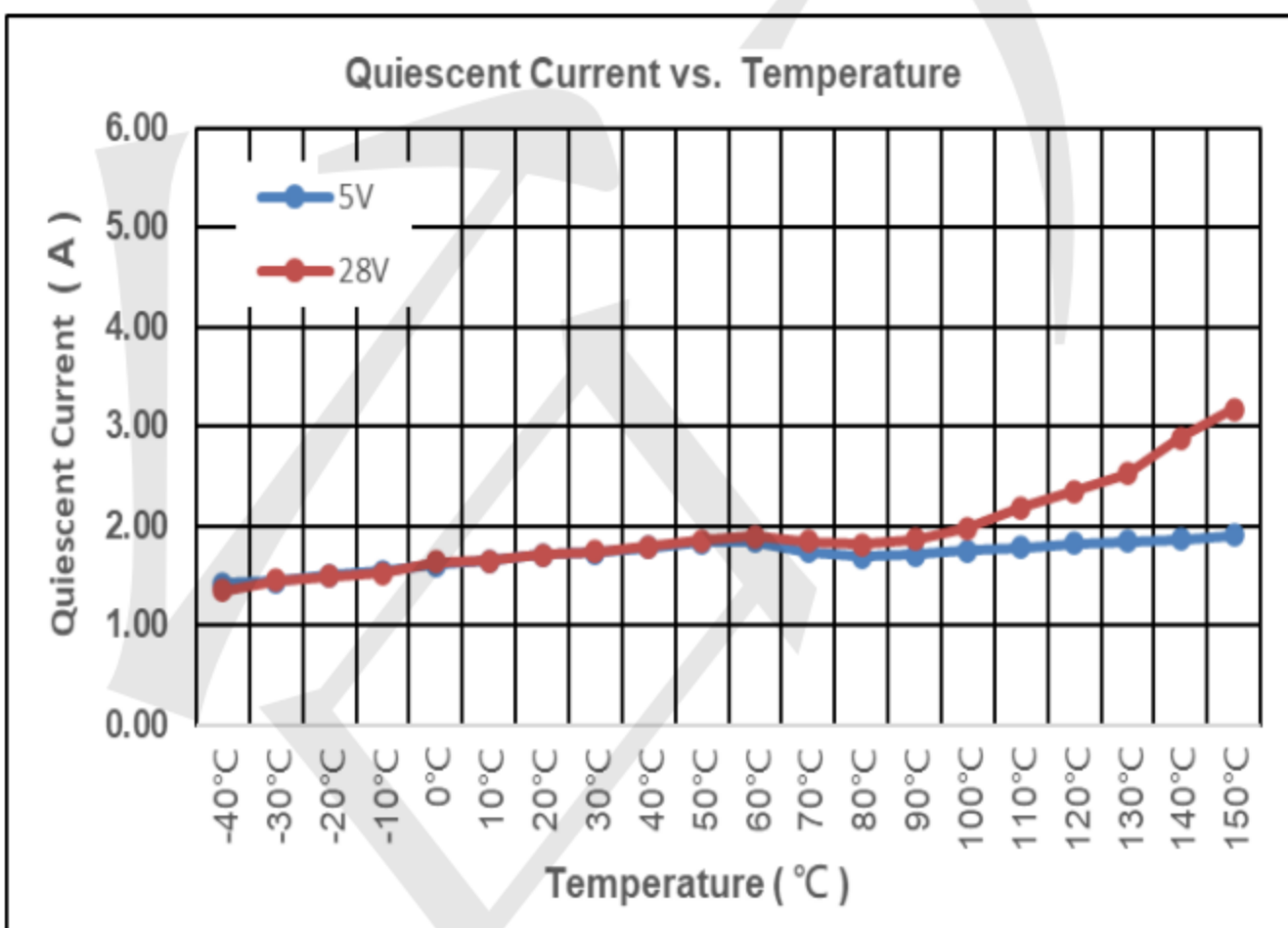
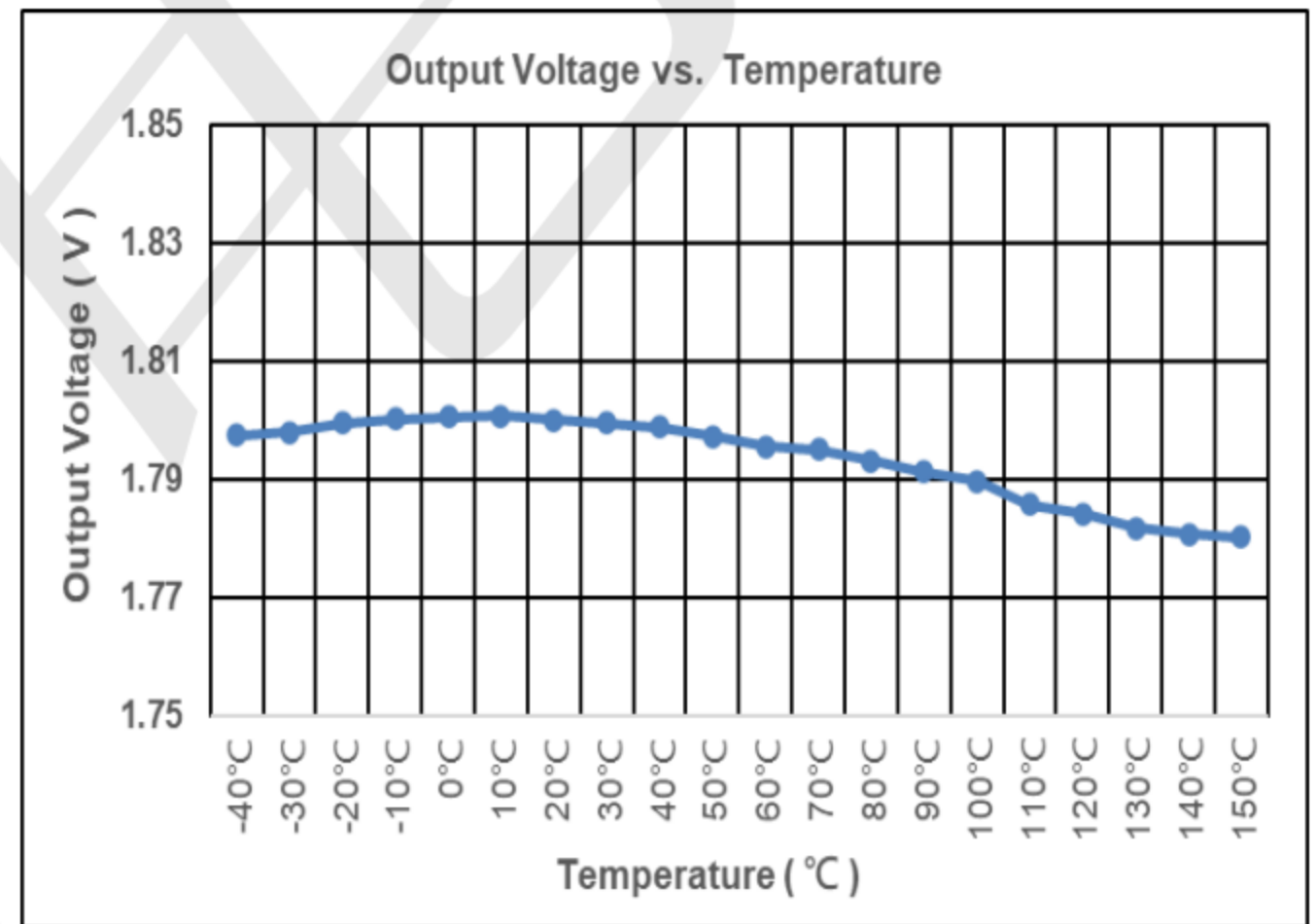
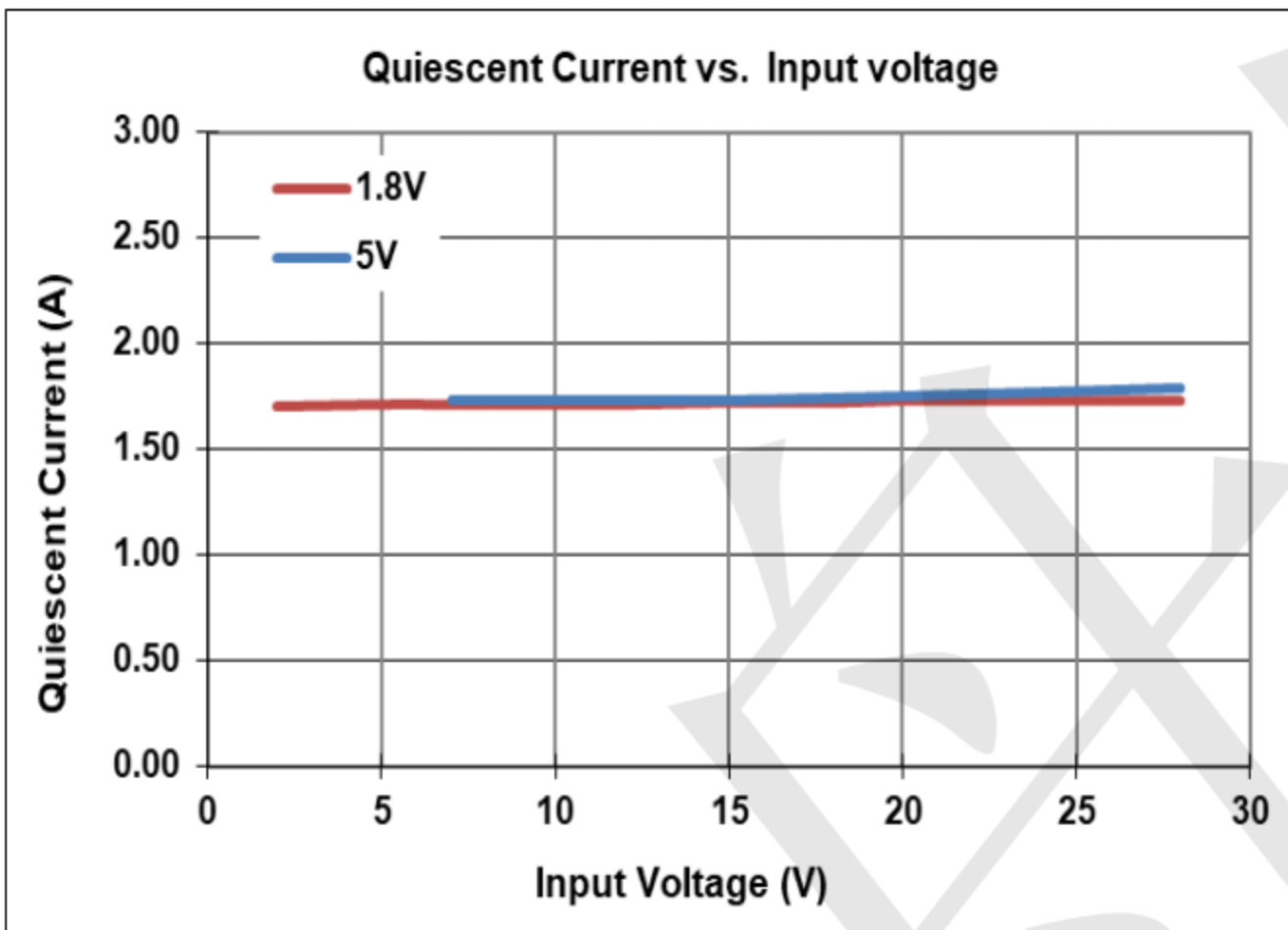
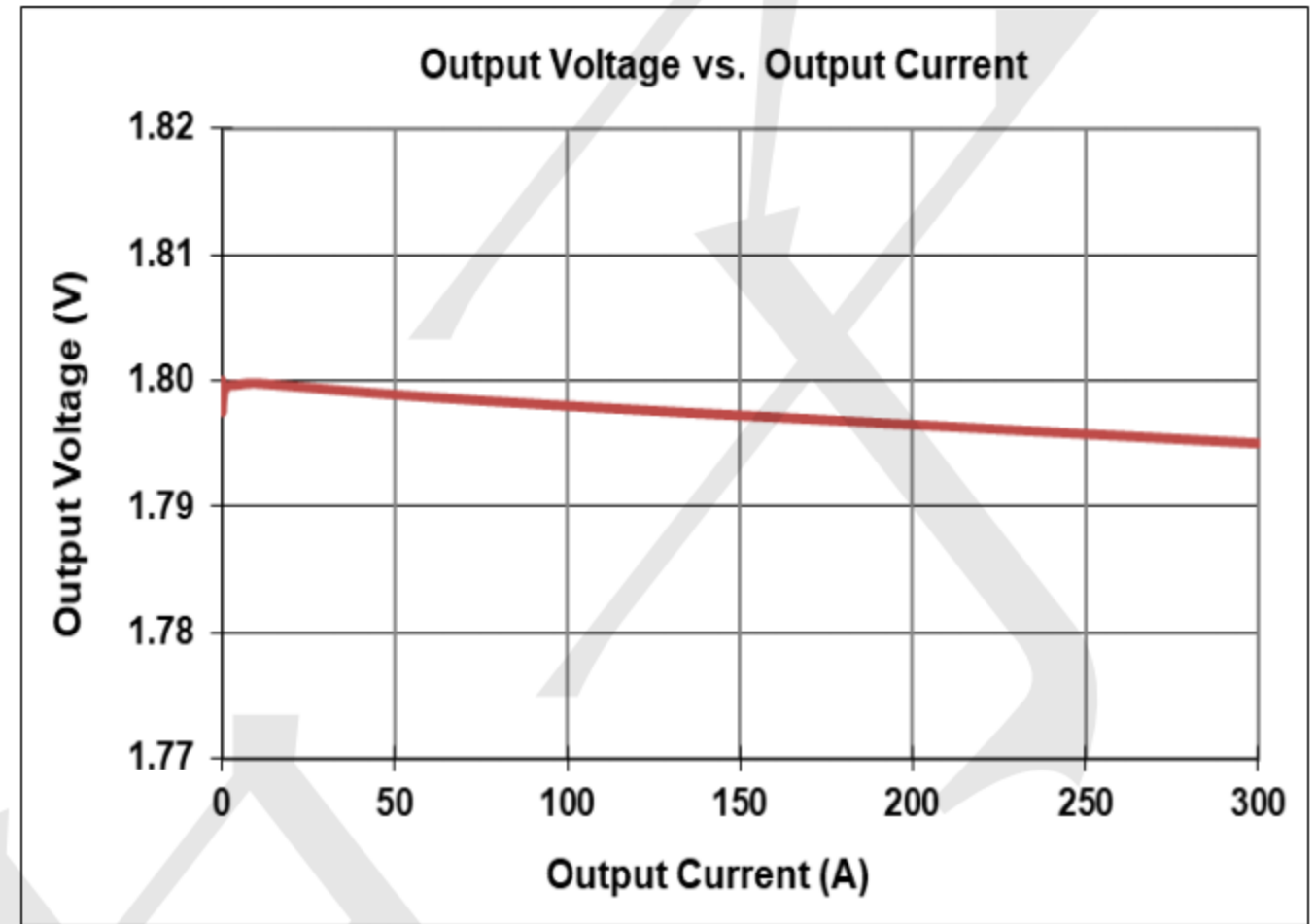
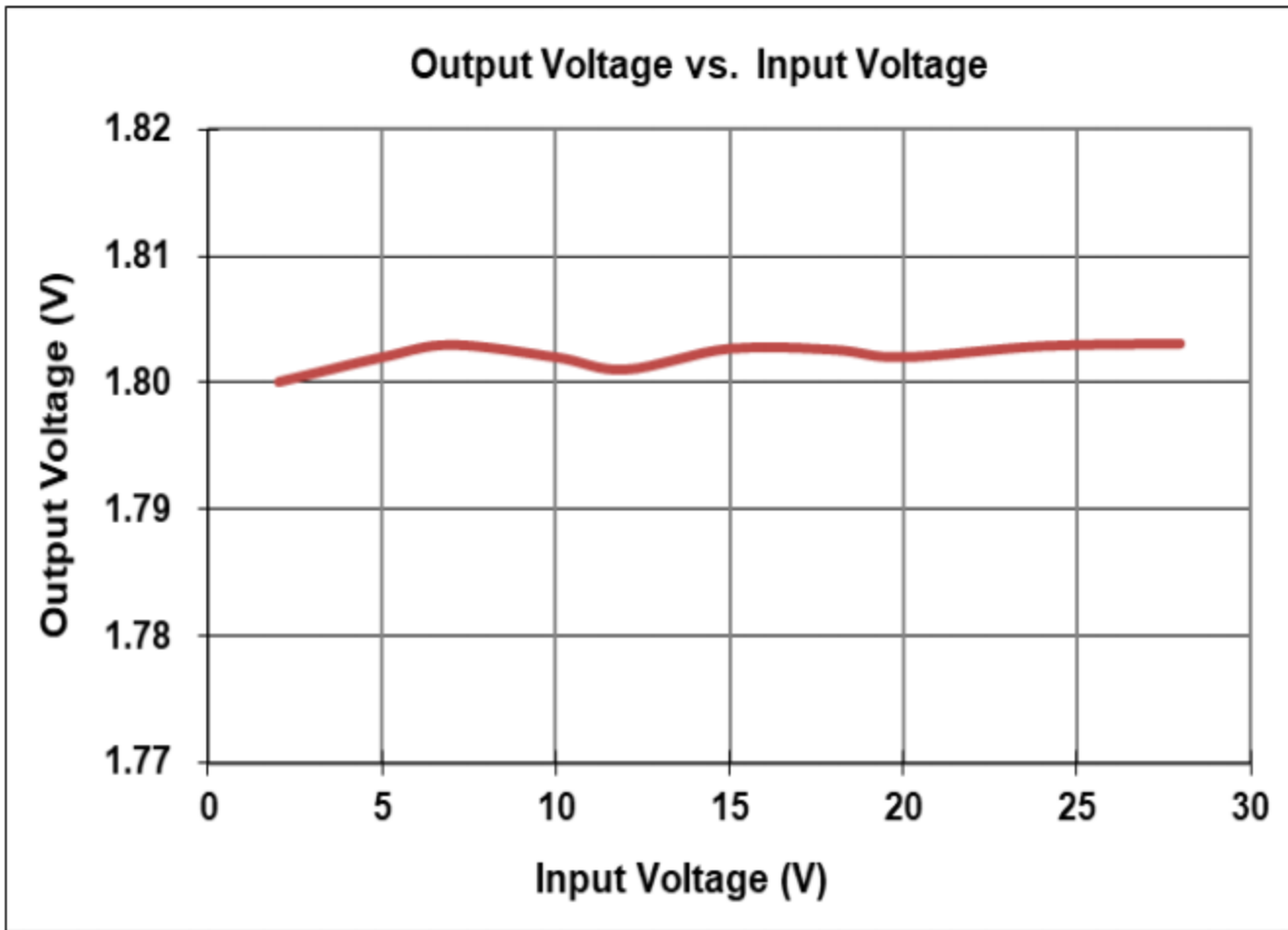
| | |
|----------------------------------|----------------|
| Supply Input Voltage | -2.0V to 24V |
| Junction Temperature Range | -40°C to 125°C |
| Ambient Temperature Range | -40°C to 85°C |

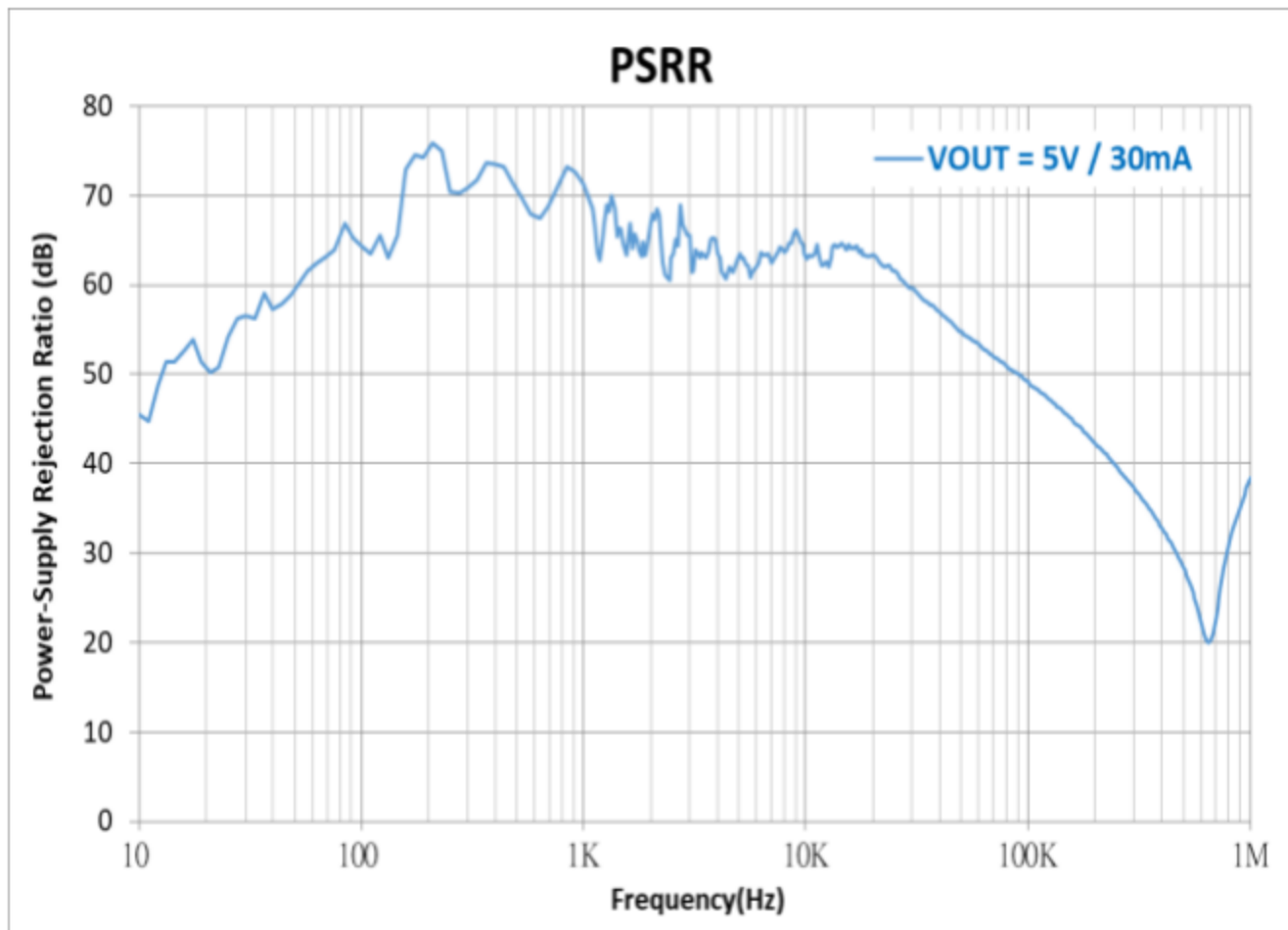
Electrical Characteristics

($V_{IN}=15V$, $V_{EN}=5V$, $T_A=25^{\circ}C$, unless otherwise specified) (Note 1)

| Parameter | Symbol | Test Conditions | Min | Typ | Max | Unit |
|--|------------------|---|-----|------|-----|-------------|
| Supply Voltage | V_{IN} | | 2 | -- | 24 | V |
| DC Output Voltage Accuracy | | $I_{LOAD} = 0.1mA$ | -2 | | 2 | % |
| Dropout Voltage ($I_{LOAD} = 100mA$) | V_{DROP} | $V_{OUT} \geq 5V$ | -- | 0.35 | | V |
| | $V_{DROP_3.3V}$ | $V_{OUT} = 3.3V$ | | 0.42 | | |
| | $V_{DROP_1.8V}$ | $V_{OUT} = 1.8V$ | | 0.5 | | |
| Ground Current ($I_{LOAD} = 0mA$) | I_Q | $V_{OUT} \leq 5V$ | | 2.0 | 4.5 | μA |
| Shutdown Ground Current | I_{SD} | $V_{EN} = 0V$, $V_{OUT} = 0V$ | | 0.01 | 0.5 | μA |
| V_{OUT} Shutdown Leakage Current | I_{LEAK} | | | 0.01 | 0.5 | μA |
| Enable Threshold Voltage | V_{IH} | EN Rising | 1.1 | | | V |
| | V_{IL} | EN Falling | | | 0.4 | |
| EN Input Current | I_{EN} | $V_{EN} = 27V$ | | 10 | 100 | nA |
| Line Regulation | Δ_{LINE} | $I_{LOAD} = 1mA$, $10 \leq V_{IN} \leq 20V$ | -- | 0.3 | | % |
| Load Regulation | Δ_{LOAD} | $10mA \leq I_{LOAD} \leq 0.2A$ | | 0.3 | | % |
| Output Current Limit | I_{LIM} | $V_{OUT} = 0$ | 300 | 500 | | mA |
| Power Supply Rejection Ratio | PSRR | $V_{OUT} = 5V$, $I_{LOAD} = 30mA$, $V_{IN} = 12V$, $f = 1kHz$ | | 70 | | dB |
| Thermal Shutdown Temperature | T_{SD} | $I_{LOAD} = 10mA$ | -- | 160 | -- | $^{\circ}C$ |
| Thermal Shutdown Hysteresis | ΔT_{SD} | | | | 15 | |

Typical Operating Characteristics





Typical Application Circuit

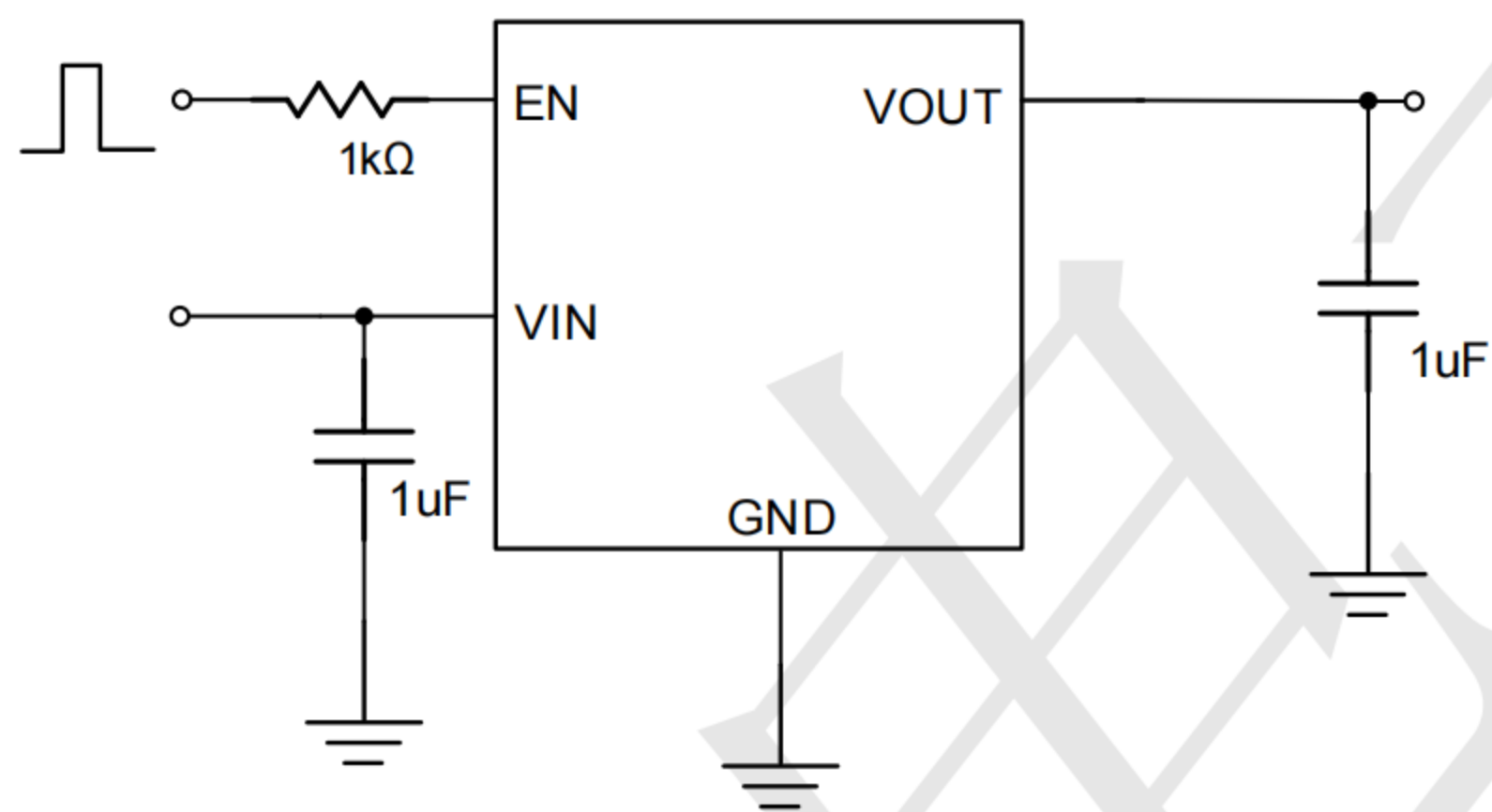
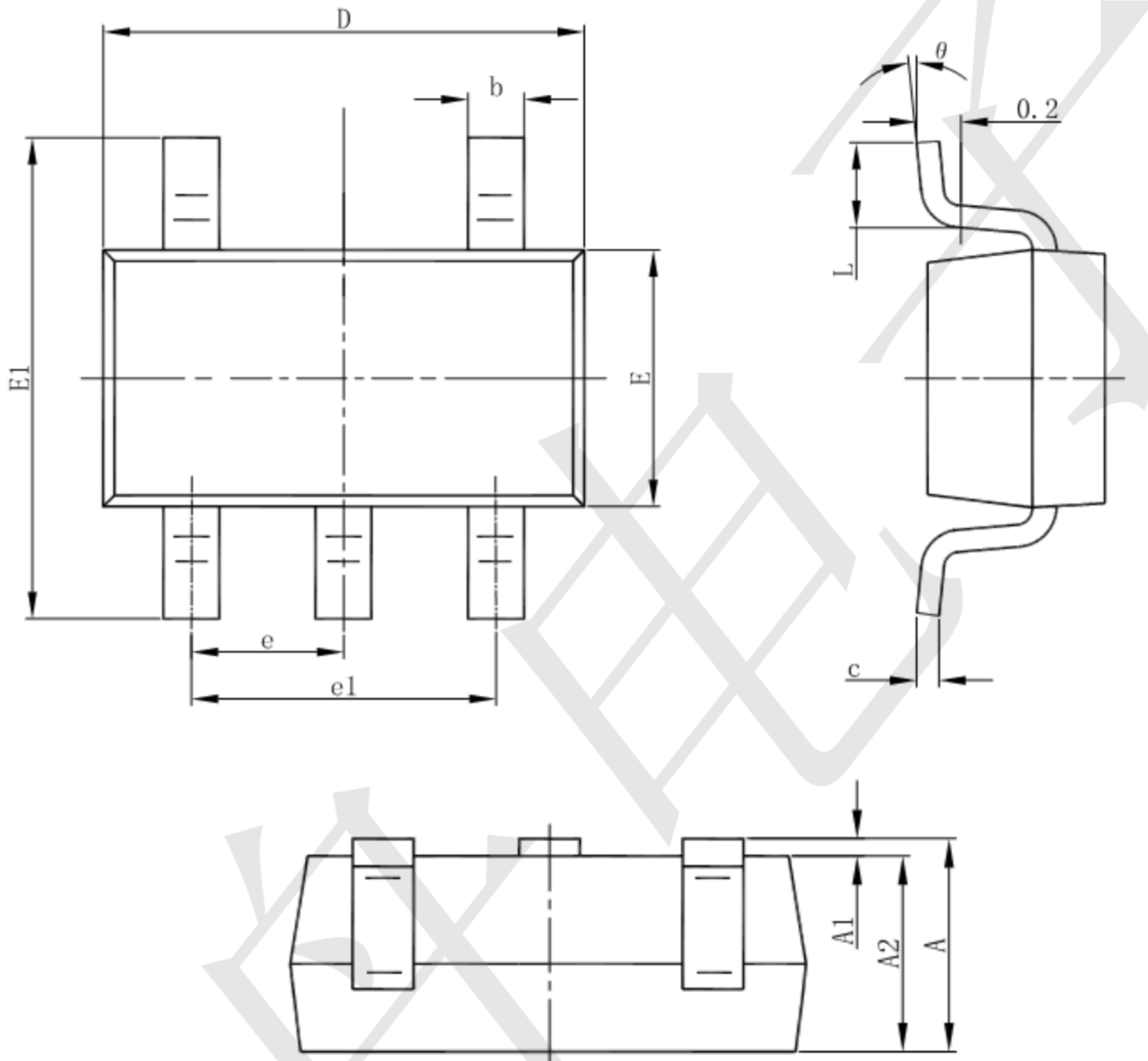


Figure 1: Application circuit of Fixed VOUT LDO with enable function



Package informantion

SOT23-5



| Symbol | Dimensions In Millimeters | | Dimensions In Inches | |
|--------|---------------------------|-------|----------------------|-------|
| | Min | Max | Min | Max |
| A | 1.050 | 1.250 | 0.041 | 0.049 |
| A1 | 0.000 | 0.100 | 0.000 | 0.004 |
| A2 | 1.050 | 1.150 | 0.041 | 0.045 |
| b | 0.300 | 0.500 | 0.012 | 0.020 |
| c | 0.100 | 0.200 | 0.004 | 0.008 |
| D | 2.820 | 3.020 | 0.111 | 0.119 |
| E | 1.500 | 1.700 | 0.059 | 0.067 |
| E1 | 2.650 | 2.950 | 0.104 | 0.116 |
| e | 0.950(BSC) | | 0.037(BSC) | |
| e1 | 1.800 | 2.000 | 0.071 | 0.079 |
| L | 0.300 | 0.600 | 0.012 | 0.024 |
| theta | 0° | 8° | 0° | 8° |

X-ON Electronics

Largest Supplier of Electrical and Electronic Components

Click to view similar products for [Linear Voltage Regulators](#) category:

Click to view products by [TECH PUBLIC](#) manufacturer:

Other Similar products are found below :

[LV5684PVD-XH](#) [MCDTSA6-2R](#) [L7815ACV-DG](#) [LV56801P-E](#) [UA7805CKC](#) [714954EB](#) [ZMR500QFTA](#) [BA033LBSG2-TR](#)
[NCV78M05ABDTRKG](#) [LV5680P-E](#) [L79M05T-E](#) [L78LR05D-MA-E](#) [NCV317MBTG](#) [NTE7227](#) [MP2018GZD-33-P](#) [MP2018GZD-5-P](#)
[LV5680NPVC-XH](#) [ZTS6538SE](#) [UA78L09CLP](#) [UA78L09CLPR](#) [CAT6221-PPTD-GT3](#) [MC78M09CDTRK](#) [NCV51190MNTAG](#)
[BL1118CS8TR1833](#) [BL8563CKETR18](#) [BL8077CKETR33](#) [BL9153-33CC3TR](#) [BL9161G-15BADRN](#) [BL9161G-28BADRN](#)
[BRCO7530MMC](#) [CJ7815B-TFN-ARG](#) [LM317C](#) [GM7333K](#) [GM7350K](#) [XC6206P332MR](#) [HT7533](#) [LM7912S/TR](#) [LT1764S/TR](#) [LM7805T](#)
[LM338T](#) [LM1117IMP-3.3/TR](#) [HT1117AM-3.3](#) [HT7550S](#) [AMS1117-3.3](#) [HT7150S](#) [78L12](#) [HT7550](#) [HT7533-1](#) [HXY6206I-2.5](#) [HT7133](#)