

Features

- ESD Protect for 4 high-speed I/O channels
- Provide ESD protection for each channel to IEC 61000-4-2 (ESD) $\pm 18\text{kV}$ (air), $\pm 14\text{kV}$ (contact) IEC 61000-4-4 (EFT) (5/50ns) Level-3, 20A for I/O, 80A for Power IEC 61000-4-5 (Lightning) 6.5A (8/20 μs)
- For below 5V operating voltage
- Low capacitance : 1.5pF typical
- Fast turn-on and Low clamping voltage
- Array of surge rated diodes with internal equivalent TVS diode
- Small package saves board space
- Solid-state silicon-avalanche and active circuit triggering technology
- Green part available

Mechanical Characteristics

- Package:SOT363
- Lead Finish :Matte Tin
- UL Flammability Classification Rating 94V-0



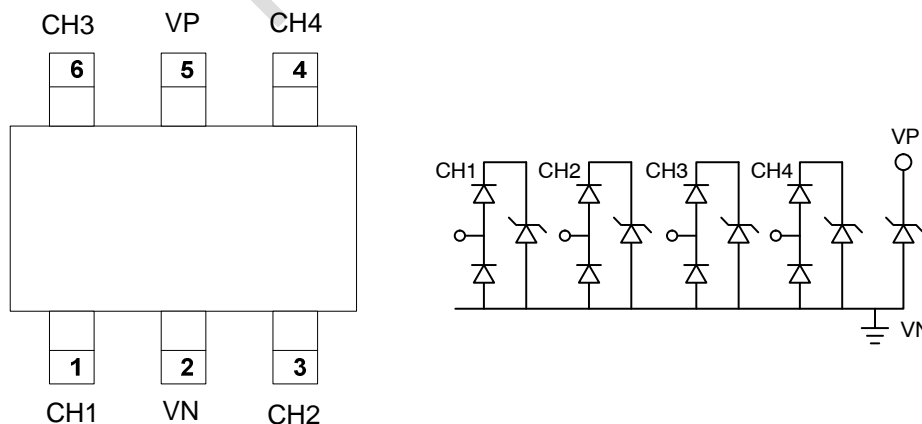
Applications

- USB2.0 Power and Data lines protection
- Notebook and PC Computers
- Monitors and Flat Panel Displays
- IEEE 1394 Firewire Ports
- Video Graphics Cards
- SIM ports

Ordering Information

Part Number	Qty per Reel	Reel Size
TPNUP4114UCW1T2G	3000	7"

Dimensions and Pin Configuration



Circuit and Pin Schematic

Absolute Maximum Ratings (T_{amb}=25°C unless otherwise specified)

PARAMETER	PARAMETER	RATING	UNITS
Peak Pulse Current (tp =8/20μs)	I _{PP}	6.5	A
Operating Supply Voltage (VDD-GND)	V _{DC}	6	V
ESD per IEC 61000-4-2 (Air)	V _{ESD}	18	kV
ESD per IEC 61000-4-2 (Contact)		14	
ESD per IEC 61000-4-2(Air)(VDD-GND)	V _{ESD_VDD}	30	kV
ESD per IEC 61000-4-2(Contact) (VDD-GND)		30	
Lead Soldering Temperature	T _{SOL}	260 (10 sec.)	°C
Operating Temperature	T _{OP}	-55 to +85	°C
Storage Temperature	T _{STO}	-55 to +150	°C
DC Voltage at any I/O pin	V _{IO}	(GND – 0.5) to (VDD + 0.5)	V

Electrical Characteristics (TA=25°C unless otherwise specified)

PARAMETER	SYMBOL	CONDITIONS	MIN	TYP	MAX	UNITS
Reverse Stand-Off Voltage	V _{RWM}	Pin 5 to pin 2, T=25 °C			5	V
Reverse Leakage Current	I _{Leak}	V _{RWM} = 5V, T=25 °C, Pin 5 to pin 2			5	μA
Channel Leakage Current	I _{CH_Leak}	V _{Pin 5} = 5V, V _{Pin 2} = 0V, T=25 °C, V _{CH} = 0 ~ 5V			1	μA
Reverse Breakdown Voltage	V _{BV}	I _{BV} = 1mA, T=25 °C Pin 5 to Pin 2	6		9	V
Forward Voltage	V _F	I _F = 15mA, T=25 °C Pin 2 to Pin 5		0.8	1	V
Clamping Voltage	V _{CL}	I _{PP} =5A, tp=8/20μs, T=25 °C Any Channel pin to Ground		8.1	9	V
ESD Clamping Voltage –I/O	V _{clamp_io}	IEC 61000-4-2 +6kV, T=25 °C, Contact mode, Any Channel pin to Ground		12.5		V
ESD Clamping Voltage –VDD	V _{clamp_VDD}	IEC 61000-4-2 +6kV, T=25 °C, Contact mode, VDD pin to Ground		9		V
ESD Dynamic Turn-on Resistance –I/O	R _{dynamic_io}	IEC 61000-4-2 0~+6kV, T=25 °C, Contact mode, Any Channel pin to Ground		0.35		Ω
ESD Dynamic Turn-on Resistance –VDD	R _{dynamic_VDD}	IEC 61000-4-2 0~+6kV, T=25 °C, Contact mode, VDD pin to Ground		0.2		Ω
Channel Input Capacitance	C _{IN}	V _{pin5} = 5V, V _{pin2} = 0V, V _{IN} = 2.5V, f = 1MHz, T=25 °C, Any Channel pin to Ground		1.5		pF
Channel to Channel Input Capacitance	C _{CROSS}	V _{pin5} = 5V, V _{pin2} = 0V, V _{IN} = 2.5V, f = 1MHz, T=25 °C, Between Channel pins		0.12	0.14	pF
Variation of Channel Input Capacitance	ΔC _{IN}	V _{pin5} = 5V, V _{pin2} = 0V, V _{IN} = 2.5V, f = 1MHz, T=25 °C, Channel_x pin to Ground - Channel_y pin to Ground		0.05	0.07	pF

PROTECTION PRODUCTS
 Typical characteristics

Fig1. 8/20 μ s Pulse Waveform

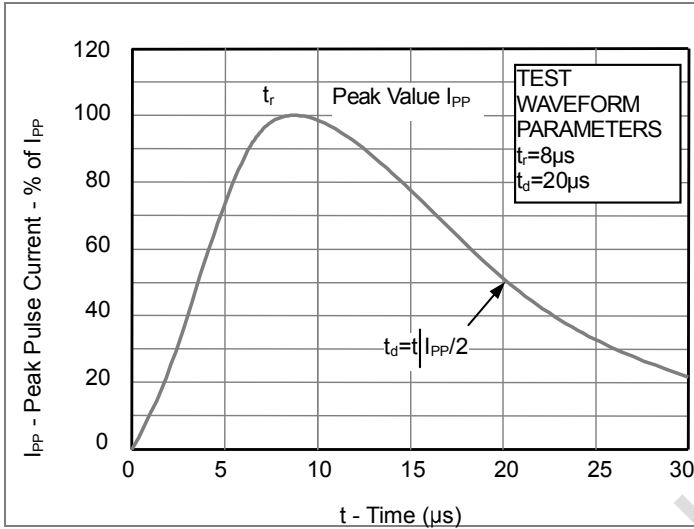


Fig2. ESD Pulse Waveform (according to IEC 61000-4-2)

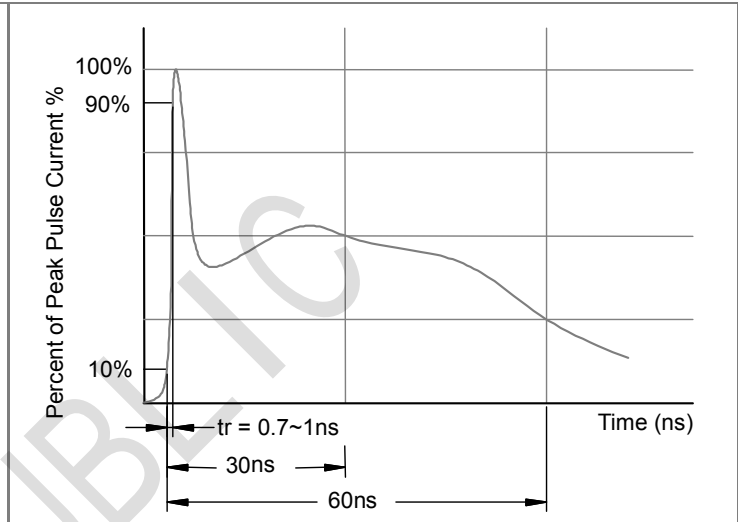
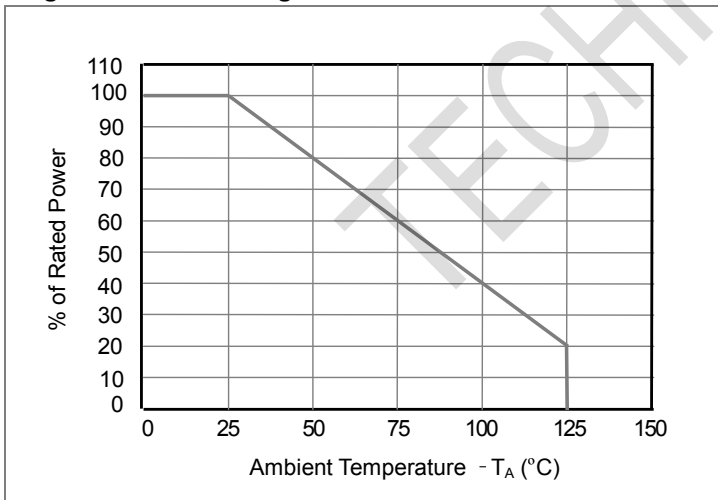
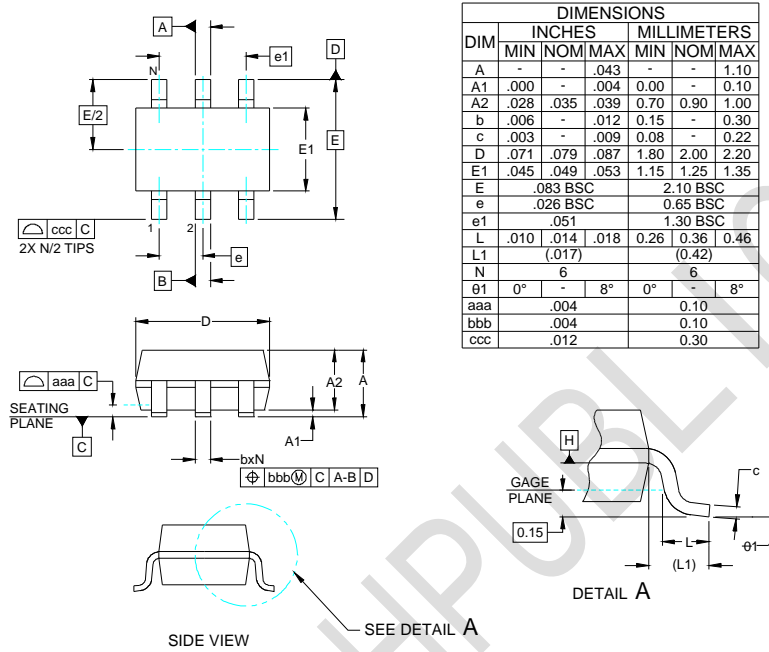


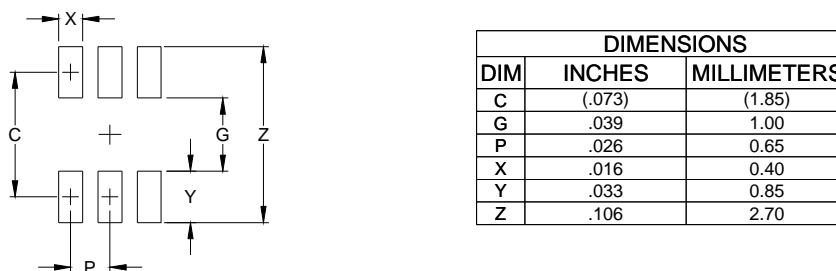
Fig3. Power Derating Curve



Outline Drawing - SOT363



Land Pattern -SOT363



X-ON Electronics

Largest Supplier of Electrical and Electronic Components

Click to view similar products for [ESD Suppressors / TVS Diodes](#) category:

Click to view products by [TECH PUBLIC](#) manufacturer:

Other Similar products are found below :

[NTE4902](#) [P4SMAJ15A](#) [P4SMAJ26A](#) [SMAJ400CA-TP](#) [TGL34-47CA](#) [ESDAULC45-1BF4](#) [SM1605E3/TR13](#) [SMF20A-TP](#) [P4SMAJ12A](#)
[CPDUR24V-HF](#) [CPDQC5V0USP-HF](#) [CPDQC5V0-HF](#) [MPLAD30KP45CAE3](#) [MMBZ27VCLQ-7-F](#) [MMAD1108/TR13](#) [MPLAD30KP24A](#)
[ACPDQC5V0R-HF](#) [DFLT170A-7](#) [NTE4900](#) [NTE4926](#) [NTE4938](#) [SMF22A-TP](#) [SMF12A-TP](#) [SLVU2.8-TP](#) [SMLJ6.5CA-TP](#) [SMAJ6.5CA-](#)
[TP](#) [MMAD1108E3/TR13](#) [D5V0M1U2LP3-7](#) [SMAJ400A-TP](#) [AOZ8811DT-03](#) [AOZ8831DI-05](#) [AOZ8831DT-03](#) [SMAJ188CA](#) [3SMC33CA](#)
[BK](#) [CPDQC3V3C-HF](#) [CPDQC12VE-HF](#) [MPLAD30KP170CA](#) [82357120100](#) [5.0SMLJ15CA-TP](#) [5KP18A-TP](#) [P6KE8.2A-TP](#)
[MPLAD30KP43CAE3](#) [SMAJ43A-TP](#) [D5V0F6U8LP33-7](#) [TVS5501V10MUT5G](#) [5.0SMLJ24CA-TP](#) [SMAJ110CA-TP](#) [MPLAD15KP75CAE3](#)
[MMAD1103e3/TR13](#) [DFLT40AQ-7](#)