

Features

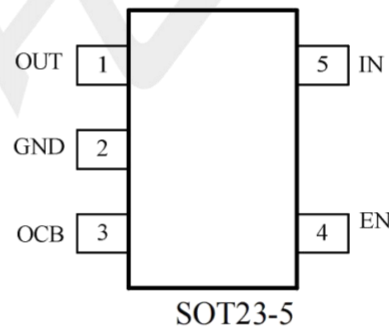
- Wide Supply Voltage Range: 2.5V to 5.5V
- Compliant to USB Specifications
- Current-Limit and Short-Circuit Protections
- Enable Active Low/High
- Typical Rdson 70mΩ (SOT-23-5L)
- Thermal Shutdown Protection
- Current Limiting Protection
- Hot Plug-In Application(Soft start)
- Guaranteed 2A continuous load current
- Open Drain Fault Flag Output
- Reverse Current Flow Blocking (no body diode)
- RoHS and Halogen free compliance

Applications

- USB Ports
- Notebook and Desktop Computers
- High-Side Power Protection Switches
- Consumer Electronics
- Telecom Systems
- Digital TV
- USB Device Power Switch
- Motherboard USB Power Switch

General Description

the local USB controller. Additional features include soft-start to limit the inrush current during plug-in, thermal shutdown to prevent catastrophic switch failure from high-current loads, under voltage lockout (UVLO) to ensure that the device remains off unless there is a valid input voltage present. The maximum current is limited to typically 3.0A in dual ports in accordance with the USB power requirement. The low quiescent current as 35uA makes this device ideal for portable battery operated equipment.



Marking:VBYQ

Pin Configurations

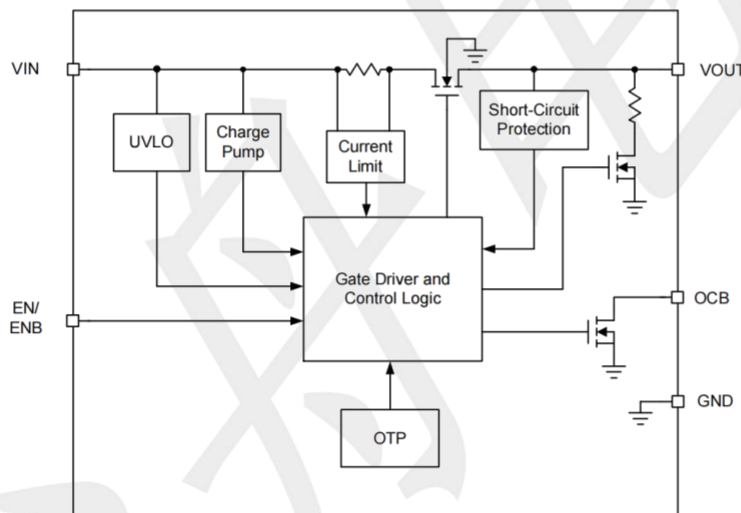
Pin Number	Pin Name	Pin Function
1	VOUT	Output Voltage Pin. The output voltage follows the input voltage. When ENB is high or EN is low, the output voltage is discharged by an internal resistor.
2	GND	Ground.
3	OCB	Fault Indication Pin. This pin goes low when a current limit or an over-temperature condition is detected after a 12ms deglitch time.
4	EN	Enable Input. Pulling this pin to high will enable the device and pulling this pin to low will disable device. The EN pin cannot be left floating.
5	VIN	Power Supply Input. Connect this pin to external DC supply.

Absolute Maximum Ratings

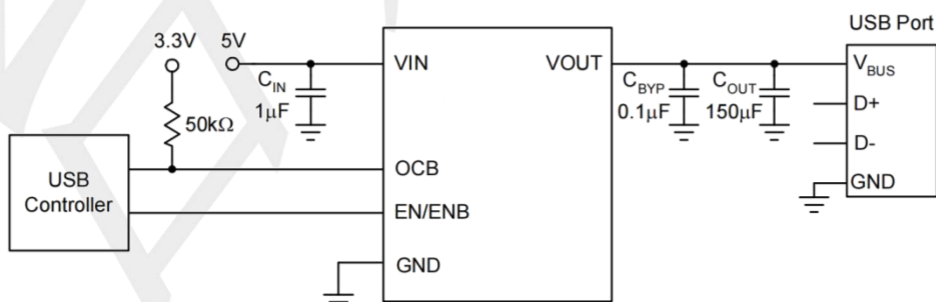
over operating free-air temperature range (unless otherwise noted)

		MIN	MAX	UNIT
VIN	Continuous input voltage range	-0.3	6.5	V
VOUT	Output voltage range	-0.3	6.5	
EN	EN pin voltage range	-0.3	6.5	
VCOB	VCOB pin voltage range	-0.3	6.5	
ESD HBM	Human Body ESD Protection	2000		
ESD MM	Machine Model ESD Protection	200		
Temperature	Junction Temperature, T _J	-40	125	°C
	Storage, T _{stg}	-65	150	
θ _{JA}	Thermal Resistance from Junction to ambient		250	°C/W
θ _{JC}	Thermal Resistance from Junction to case		130	

BLOCK DIAGRAM



Typical Application Circuit



Electrical Characteristics

(VIN=5V, CIN=1uF, COUT=10uF per channel, TA = 25°C, unless otherwise specified)

PARAMETER	SYMBOL	TEST Conditions	MIN	TYP	MAX	UNIT
Supply Voltage	VIN		2.5	--	5.5	V
Output current	IOUT		0	2	--	A
Under Voltage Lockout	VUVLO	VIN Increase	1.7	2.1	2.4	V
Under Voltage Hysteresis		VIN Decrease	--	100	--	mV
Input Leakage Current	I _{LEAK}	Disabled, OUT grounded	--	0.1	1	uA
Output Leakage Current		Disabled, RLOAD=0Ω	--	0.5	1	uA
Reverse Leakage Current	I _{REV}	Disabled, VIN= 0V, VOUT= 5V	--	0.1	1	uA
Switch On Resistance	R _{DSON}	VIN=5.0V, IOUT=0.5A	--	60	75	mΩ
Supply Current	I _Q	Switch On, VOUT = OPEN	--	35	55	uA
	I _{SHDN}	Switch Off, VOUT = OPEN	--	0.1	1	uA
EN Threshold	V _{IL}	Low Voltage	--	--	0.7	V
	V _{IH}	High Voltage	1.3	--	--	V
EN Input Current	I _{SINK}	VEN From 0V to 5V	--	0.01	--	uA
Current Limit	I _{LIMIT}	VIN= 5V, VOUT= 4.5V, -40°C ≤ TA ≤ 85°C	2.2	3.0	3.8	A
Short Circuit Fold back Current	I _{SHORT}	VOUT=0V, Measured prior to the thermal shutdown	--	1.2	--	A
Output Turn-on Rise Time	T _R	VIN=5.0V, CL=1 F, Rload=5Ω, VOUT Rise From 10% to 90%	--	3.0	--	mS
Output Turn-on Delay Time	T _{D(ON)}	CL=1uF, Rload=10Ω, EN 10% to VOUT 10%	--	50	--	uS
Output Turn-off Fall Time	T _F	CL=1uF, Rload=10Ω, VOUT Fall From 90% to 10%	--	20	--	uS
Output Turn-off Delay Time	T _{D(OFF)}	CL=1uF, Rload=10Ω, EN 90% to VOUT 90%	--	10	--	uS
Reverse Current Limit	I _{RLIMIT}	VIN= 5V, VOUT= 4.5V, -40°C ≤ TA ≤ 85°C	--	500	--	mA
Reverse Over Voltage Protect	V _{ROVP}	VOUT - VIN	--	150	--	mV
Reverse Protect Delay Time	T _{PD}		--	5	--	mS
OCB Output Resistance	R _{OCB}	I _{SINK} =1mA	--	20	40	Ω
Output Shutdown Discharge Resistance		Disabled	--	100	150	Ω
Thermal Shutdown Threshold	T _{SD}	Enabled	--	150	--	°C
Thermal Shutdown Hysteresis	T _{HYS}	VOUT = 0V	--	20	--	°C

Note: 1. Test condition: the device is mounted on FR-4 substrate PC board, with minimum recommended pad layout.

Function Description

VIN Under-Voltage Lockout (UVLO)

power switches have a built-in under-voltage lockout circuit to keep the output shutting off until internal circuitry is operating properly. The UVLO circuit has hysteresis and a de-glitch feature so that it will typically ignore undershoot transients on the input. When input voltage exceeds the UVLO threshold, the output voltage starts a soft-start to reduce the inrush current.

Power Switch

The power switch is an N-channel MOSFET with a low $R_{DS(ON)}$. The internal power MOSFET does not have the body diode. When IC is off, the MOSFET prevents a current flowing from the VOUT back to VIN and VIN to VOUT.

Current-Limit Protection

power switches provide the current-limit protection function. During current limit, the devices limit output current at current limit threshold. For reliable operation, the device should not be operated in current limit for extended period.

Short-Circuit Protection

When the output voltage drops below $V_{IN}-1V$, which is caused by an over-load or a short-circuit, the devices limit the output current down to a safe level. The short-circuit current limit is used to reduce the power dissipation during short-circuit conditions. If the junction temperature reaches over-temperature threshold, the device will enter the thermal shutdown.

OCB Output

power switches provide an open-drain output to indicate that a fault has occurred. When any of current-limit or over-temperature protection occurs for a de-glitch time of $t_{D(OCB)}$, the OCB goes low. Since the OCB pin is an open-drain output, connecting a resistor to a pull high voltage is necessary.

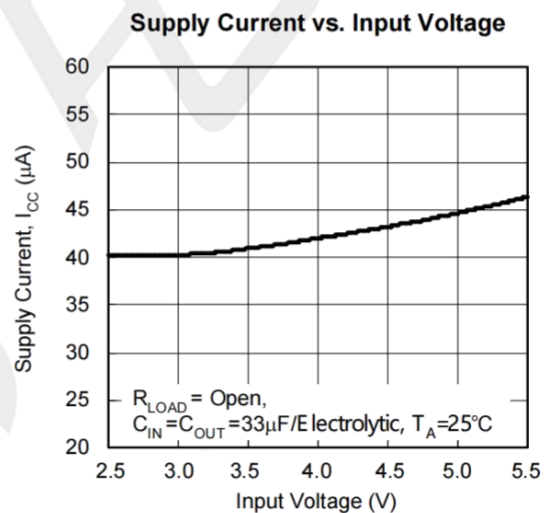
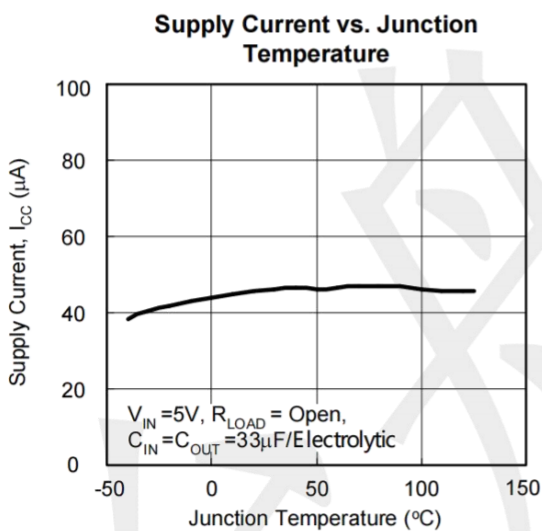
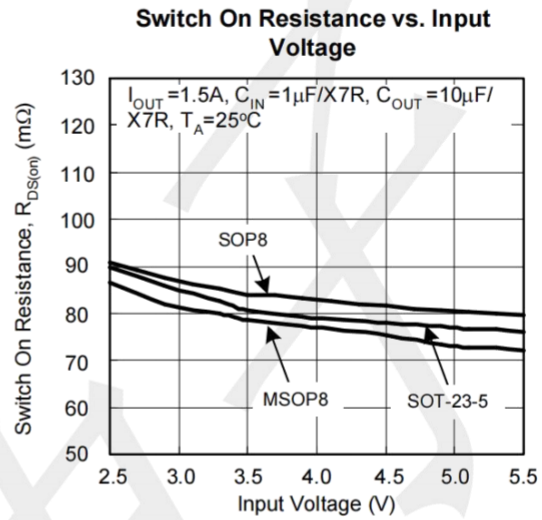
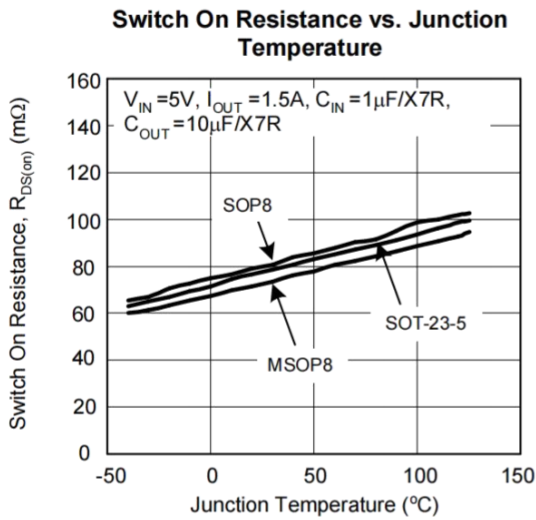
Enable/Disable

Pull the EN below 0.8V will disable the device, or EN above 2V will enable the device. When the IC is disabled, the supply current is reduced to less than 1mA. The enable input is compatible with both TTL and CMOS logic levels. The EN pin cannot be left floating.

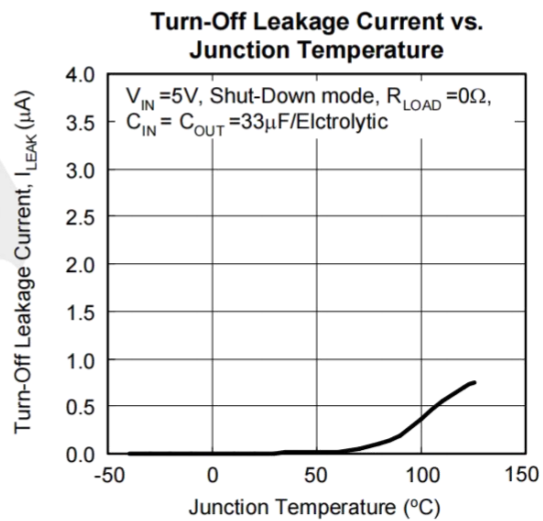
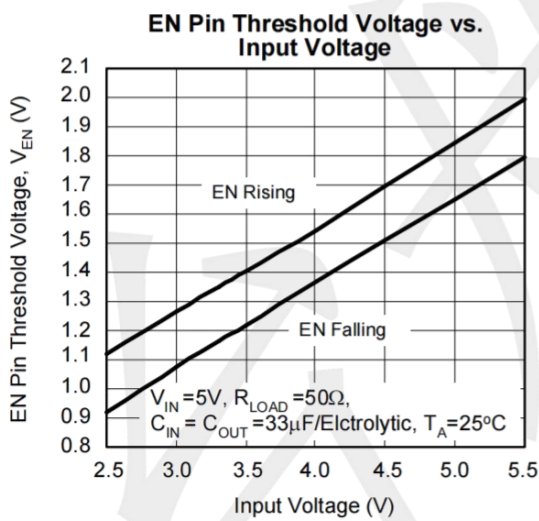
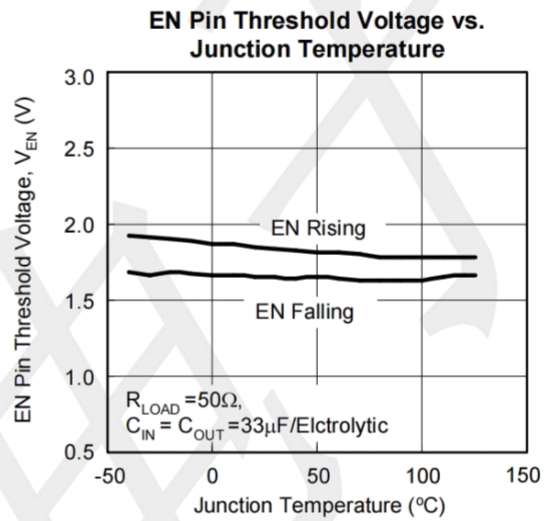
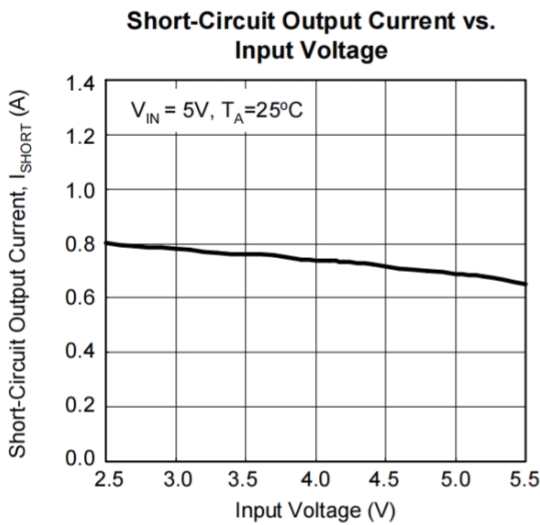
Over-Temperature Protection

When the junction temperature exceeds $140^{\circ}C$, the internal thermal sense circuit turns off the power FET and allows the device to cool down. When the device's junction temperature cools by $20^{\circ}C$, the internal thermal sense circuit will enable the device, resulting in a pulsed output during continuous thermal protection. Thermal protection is designed to protect the IC in the event of over temperature conditions. For normal operation, the junction temperature cannot exceed $T_J = +125^{\circ}C$.

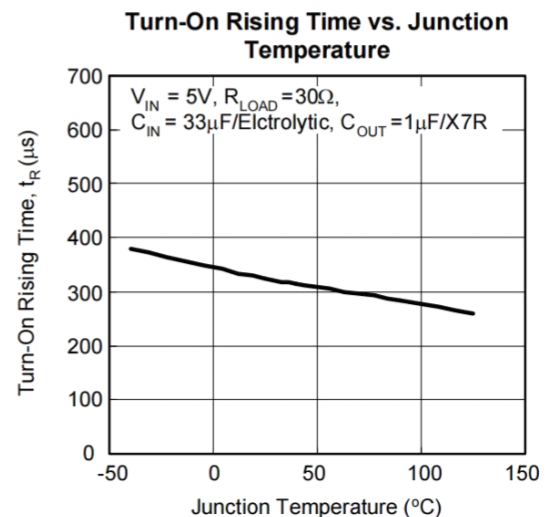
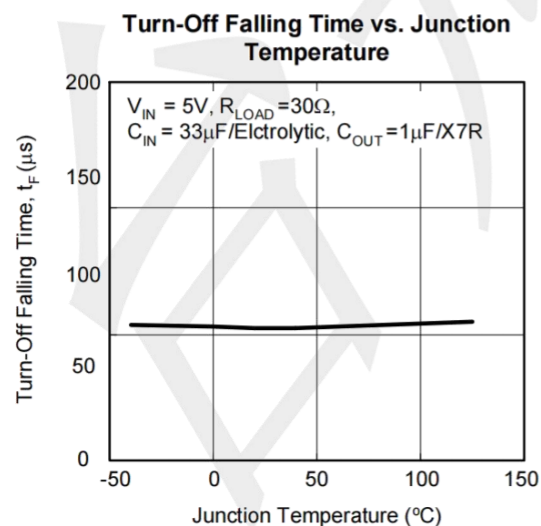
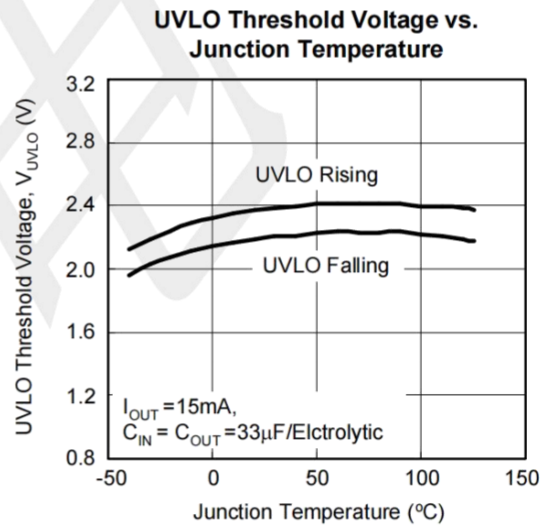
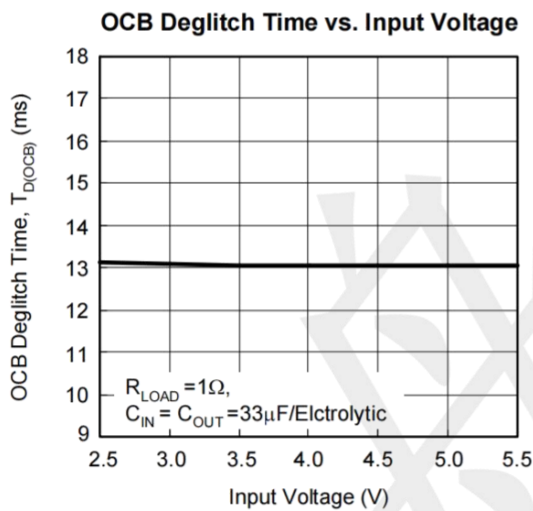
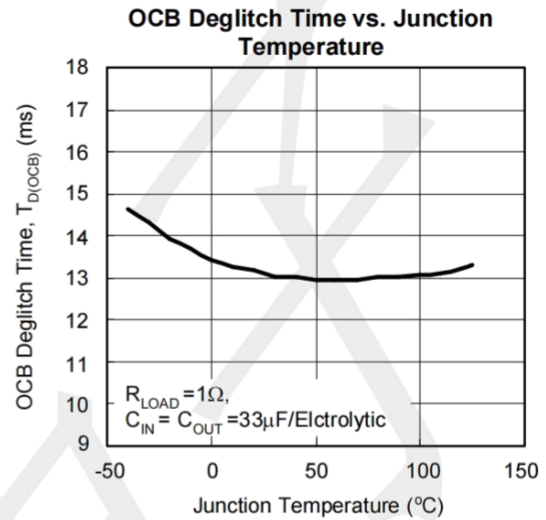
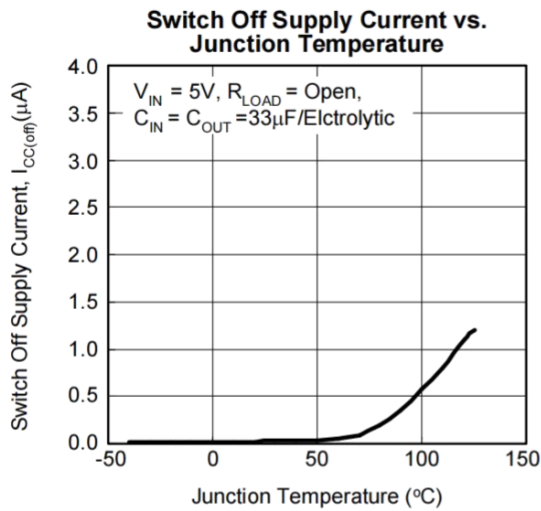
Typical Operating Characteristics



Typical Operating Characteristics(Cont.)

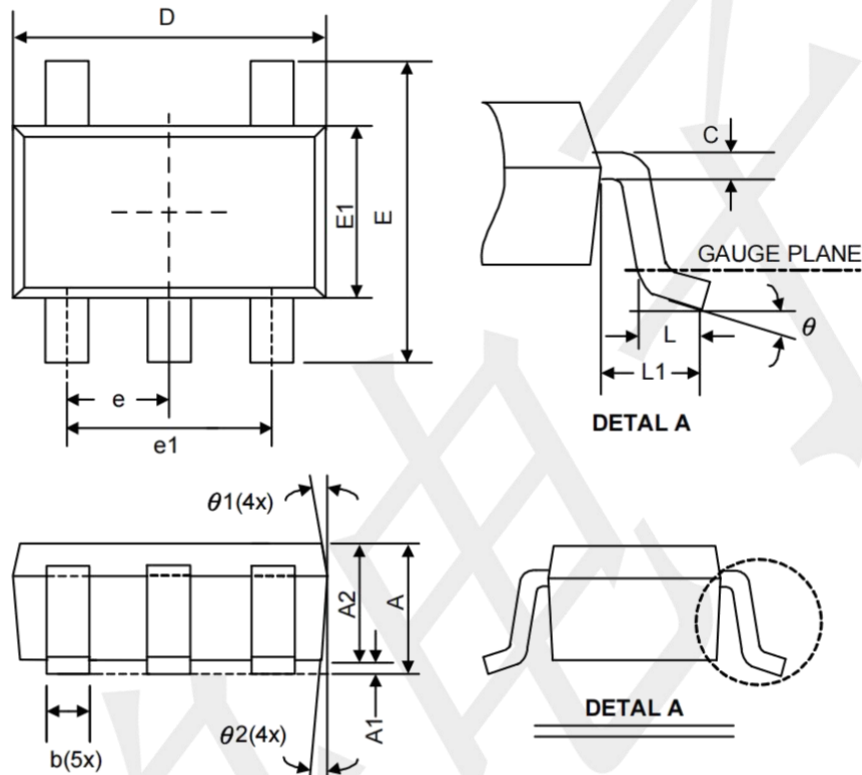


Typical Operating Characteristics(Cont.)



Package information

SOT23-5L



Symbol	Dimensions in Millimeters			Dimensions in Inches		
	Min.	Nom.	Max.	Min.	Nom.	Max.
A	-	-	1.45	-	-	0.057
A1	0	0.08	0.15	0	0.003	0.006
A2	0.9	1.1	1.3	0.035	0.043	0.051
b	0.3	0.4	0.5	0.012	0.016	0.02
C	0.08	0.15	0.22	0.003	0.006	0.009
D	2.7	2.9	3.1	0.106	0.114	0.122
E1	1.4	1.6	1.8	0.055	0.063	0.071
E	2.6	2.8	3	0.102	0.11	0.118
L	0.3	0.45	0.6	0.012	0.018	0.024
L1	0.5	0.6	0.7	0.02	0.024	0.028
e1	1.9 BSC			0.075 BSC		
e	0.95 BSC			0.037 BSC		
θ	0°	4°	8°	0°	4°	8°
$\theta 1$	5°	10°	15°	5°	10°	15°
$\theta 2$	5°	10°	15°	5°	10°	15°

JEDEC outline: MO-178 AA

X-ON Electronics

Largest Supplier of Electrical and Electronic Components

Click to view similar products for [Power Switch ICs - Power Distribution](#) category:

Click to view products by [TECH PUBLIC](#) manufacturer:

Other Similar products are found below :

[TLE6232GP](#) [NCP45520IMNTWG-L](#) [VND5E004ATR-E](#) [FPF1018](#) [DS1222](#) [NCV380HMUAJAATBG](#) [SZNCP3712ASNT3G](#)
[NCP45520IMNTWG-H](#) [VND5004ATR-E](#) [AP22811BW5-7](#) [SLG5NT1437VTR](#) [SZNCP3712ASNT1G](#) [DML1008LDS-7](#) [TS13011-QFNR](#)
[VND7012AYTR](#) [NCV459MNWTBG](#) [NCP4545IMNTWG-L](#) [NCV8412ASTT1G](#) [NCV8412ASTT3G](#) [FPF2260ATMX](#) [SLG5NT1765V](#)
[SLG5NT1757V](#) [NCP45780IMN24RTWG](#) [AP2151DMPG-13](#) [AP2151AMP-13](#) [NCP45540IMNTWG-L](#) [TPS2022P](#) [FPF2495BUCX](#)
[NCP45650IMNTWG](#) [NCV8412ADDR2G](#) [DK5V100R20S](#) [BTS7020-2EPA](#) [BTT6100-2ERA](#) [BTS71220-4ESA](#) [DK5V100R15M](#)
[WS3220C9-9/TR](#) [BTT6030-2ERA](#) [TLE75602-ESH](#) [BTS5200-4EKA](#) [DK5V150R25M](#) [DK5V45R25](#) [DK5V100R25S](#) [AW35206FOR](#)
[BTS7120-2EPA](#) [TLE75008-ESD](#) [BTS7040-1EPA](#) [BTT6030-1ERA](#) [DK5V60R10S](#) [DK5V45R25S](#) [DK5V60R10](#)