

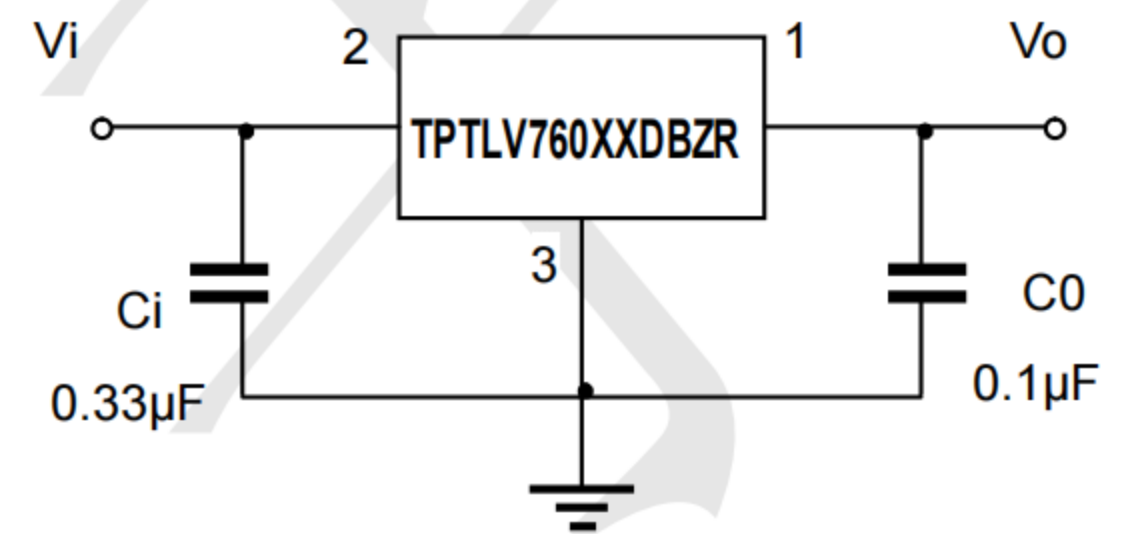
FEATURES

- Output Voltage Range 3.3V, 5V, 12V, 15V,
- Output current up to 100mA
- No external components required
- Internal thermal overload protection
- Internal short-circuit current limiting
- Output transistor safe-area compensation
- Output voltage offered in 4% tolerance
- RoHS

APPLICATION

- Switching power supply
- Home appliance

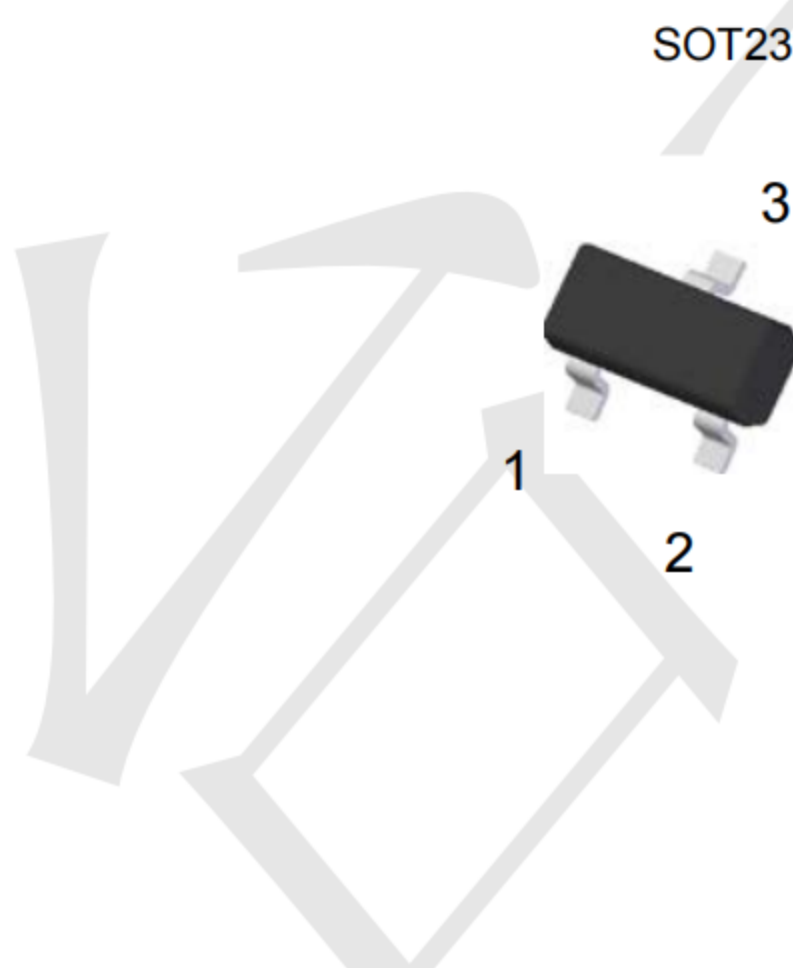
Typical Application



ORDERING INFORMATION

TECH PUBLIC PART NO.	PACKAGE	PACKING
TPTLV76033DBZR	SOT-23	3,000pcs / 7"Reel
TPTLV76050DBZR	SOT-23	3,000pcs / 7"Reel
TPTLV76012DBZR	SOT-23	3,000pcs / 7"Reel
TPTLV76015DBZR	SOT-23	3,000pcs / 7"Reel

Dimensions and Pin Configuration



1. OUT
2. IN
3. GND

Marking:

TPTLV76033DBVR: L0A Or 18H
 TPTLV76050DBVR: L0B Or 18I
 TPTLV76012DBVR: L0C Or 18G
 TPTLV76015DBVR: L0D Or 18C

**TECH PUBLIC**

—台丹电子—

TPTLV760xxDBZR**100-mA, SOT-23, Quasi Low-Dropout Linear Voltage Regulator**www.sot23.com.tw**ABSOLUTE MAXIMUM RATINGS**

TECH PUBLIC	PARAMETER	SYMBOL	LIMIT	UNIT
DC Input Voltage	TPTLV76033DBZR	V _{in}	30	V
	TPTLV76050DBZR		35	
	TPTLV76012DBZR		35	
	TPTLV76015DBZR		35	
Power Dissipation		P _D	Internally Limited	W
Operating Junction Temperature		T _J	+150	°C
Recommended Operating Junction Temperature Range		T _J	-40 ~ +125	°C
Operating Ambient Temperature Range		T _A	-40 ~ +85	°C
Storage Temperature Range		T _{STG}	-65~+150	°C

THERMAL PERFORMANCE

PARAMETER	SYMBOL	TYPICAL	UNIT
Junction to Case Thermal Resistance	R _{θJC}	120	°C/W
Junction to Ambient Thermal Resistance	R _{θJA}	330	°C/W

ELECTRICAL SPECIFICATIONS

TPTLV76033DBZR

(V_{IN}=8.3V, I_{OUT}=40mA, 0°C≤T_J≤125°C, C_{IN}=0.33μF, C_{OUT}=0.1μF, unless otherwise noted)

PARAMETER	CONDITIONS	SYMBOL	MIN	TYP	MAX	UNIT
Output voltage	T _J =25°C	V _{OUT}	3.173	3.3	3.432	V
	5.8V≤V _{IN} ≤20V, 5mA≤I _{OUT} ≤100mA		3.142	3.3	3.465	V
Line Regulation	T _J =25°C 5.8V≤V _{IN} ≤20V I _{OUT} =40mA	REG _{LINE}	--	50	150	mV
Load Regulation	T _J =25°C 5mA≤I _{OUT} ≤100mA	REG _{LOAD}	--	15	60	mV
			5mA≤I _{OUT} ≤40mA	--	5	
Quiescent Current	I _{OUT} =0, T _J =25°C	I _Q	--	3	6	mA
Quiescent Current Change	5.8V≤V _{IN} ≤20V	ΔI _Q	--	--	1.5	mA
	5mA≤I _{OUT} ≤40mA		--	--	0.1	
Output Noise Voltage	10Hz≤f≤100kHz, T _J =25°C	V _N	--	40	--	μV
Ripple Rejection Ratio	F=120Hz, 5.8V≤V _{IN} ≤20V	RR	41	49	--	dB
Voltage Drop	I _{OUT} =100mA, T _J =25°C	V _{DROP}	--	2	--	V
Peak Output Current	T _J =25°C	I _{o peak}	--	0.15	--	A
Temperature Coefficient of Output Voltage	I _{OUT} =5mA, 0°C≤T _J ≤150°C	ΔV _{OUT} /ΔT _J	--	-0.2	--	mV/°C

**TECH PUBLIC**

—台丹电子—

TPTLV760xxDBZR**100-mA, SOT-23, Quasi Low-Dropout Linear Voltage Regulator**www.sot23.com.tw

TPTLV76050DBZR

(V_{IN}=10V, I_{OUT}=40mA, 0°C≤T_J≤125°C, C_{IN}=0.33μF, C_{OUT}=0.1μF, unless otherwise noted)

PARAMETER	CONDITIONS		SYMBOL	MIN	TYP	MAX	UNIT
Output voltage	T _J =25°C		V _{OUT}	4.80	5	5.20	V
	7.5V≤V _{IN} ≤20V, 5mA≤I _{OUT} ≤100mA			4.75	5	5.25	V
Line Regulation	T _J =25°C	7.5V≤V _{IN} ≤20V I _{OUT} =100mA	REG _{LINE}	50	150	150	mV
Load Regulation	T _J =25°C	5mA≤I _{OUT} ≤100mA	REG _{LOAD}	20	60	60	mV
		5mA≤I _{OUT} ≤40mA		10	30	30	
Quiescent Current	I _{OUT} =0, T _J =25°C		I _Q	--	3	6	mA
Quiescent Current Change	7.5V≤V _{IN} ≤20V		ΔI _Q	--	--	1.5	mA
	5mA≤I _{OUT} ≤40mA			--	--	0.1	
Output Noise Voltage	10Hz≤f≤100kHz, T _J =25°C		V _N	--	40	--	μV
Ripple Rejection Ratio	F=120Hz, 7.5V≤V _{IN} ≤20V		RR	41	49	--	dB
Voltage Drop	I _{OUT} =100mA, T _J =25°C		V _{DROP}	--	1.7	--	V
Peak Output Current	T _J =25°C		I _{o peak}	--	0.15	--	A
Temperature Coefficient of Output Voltage	I _{OUT} =5mA, 0°C≤T _J ≤150°C		ΔV _{OUT} /ΔT _J	--	-0.65	--	mV/°C

TPTLV76012DBZR

(V_{IN}=19V, I_{OUT}=40mA, 0°C≤T_J≤125°C, C_{IN}=0.33μF, C_{OUT}=0.1μF, unless otherwise noted)

PARAMETER	CONDITIONS		SYMBOL	MIN	TYP	MAX	UNIT
Output voltage	T _J =25°C		V _{OUT}	11.53	12	12.48	V
	14.5V≤V _{IN} ≤27V, 5mA≤I _{OUT} ≤100mA			11.42	12	12.60	V
Line Regulation	T _J =25°C	14.5V≤V _{IN} ≤27V I _{OUT} =40mA	REG _{LINE}	--	120	240	mV
Load Regulation	T _J =25°C	5mA≤I _{OUT} ≤100mA	REG _{LOAD}	--	40	120	mV
		5mA≤I _{OUT} ≤40mA		--	20	60	
Quiescent Current	I _{OUT} =0, T _J =25°C		I _Q	--	3	6.5	mA
Quiescent Current Change	14.5V≤V _{IN} ≤27V		ΔI _Q	--	--	1.5	mA
	5mA≤I _{OUT} ≤40mA			--	--	0.1	
Output Noise Voltage	10Hz≤f≤100kHz, T _J =25°C		V _N	--	80	--	μV
Ripple Rejection Ratio	F=120Hz, 14.5V≤V _{IN} ≤27V		RR	37	42	--	dB
Voltage Drop	I _{OUT} =100mA, T _J =25°C		V _{DROP}	--	1.7	--	V
Peak Output Current	T _J =25°C		I _{o peak}	--	0.15	--	A
Temperature Coefficient of Output Voltage	I _{OUT} =5mA, 0°C≤T _J ≤150°C		ΔV _{OUT} /ΔT _J	--	-1.0	--	mV/°C

TPTLV76015DBZR

($V_{IN}=23V$, $I_{OUT}=40mA$, $0^{\circ}C \leq T_J \leq 125^{\circ}C$, $C_{IN}=0.33\mu F$, $C_{OUT}=0.1\mu F$, unless otherwise noted)

PARAMETER	CONDITIONS	SYMBOL	MIN	TYP	MAX	UNIT
Output voltage	$T_J=25^{\circ}C$	V_{OUT}	14.42	15	15.60	V
	$17.5V \leq V_{IN} \leq 30V$, $5mA \leq I_{OUT} \leq 100mA$		14.28	15	15.75	V
Line Regulation	$T_J=25^{\circ}C$ $17.5V \leq V_{IN} \leq 30V$ $I_{OUT}=40mA$	REG_{LINE}	--	150	300	mV
Load Regulation	$T_J=25^{\circ}C$ $5mA \leq I_{OUT} \leq 100mA$ $5mA \leq I_{OUT} \leq 40mA$	REG_{LOAD}	--	50	150	mV
			--	25	75	
Quiescent Current	$I_{OUT}=0$, $T_J=25^{\circ}C$	I_Q	--	3	6.6	mA
Quiescent Current Change	$17.5V \leq V_{IN} \leq 30V$	ΔI_Q	--	--	1.5	mA
	$5mA \leq I_{OUT} \leq 40mA$		--	--	0.1	
Output Noise Voltage	$10Hz \leq f \leq 100kHz$, $T_J=25^{\circ}C$	V_N	--	90	--	μV
Ripple Rejection Ratio	$F=120Hz$, $17.5V \leq V_{IN} \leq 30V$	RR	34	39	--	dB
Voltage Drop	$I_{OUT}=100mA$, $T_J=25^{\circ}C$	V_{DROP}	--	1.7	--	V
Peak Output Current	$T_J=25^{\circ}C$	$I_{O\ peak}$	--	0.15	--	A
Temperature Coefficient of Output Voltage	$I_{OUT}=5mA$, $0^{\circ}C \leq T_J \leq 150^{\circ}C$	$\Delta V_{OUT} / \Delta T_J$	--	-1.3	--	mV/ $^{\circ}C$



ELECTRICAL CHARACTERISTICS CURVE

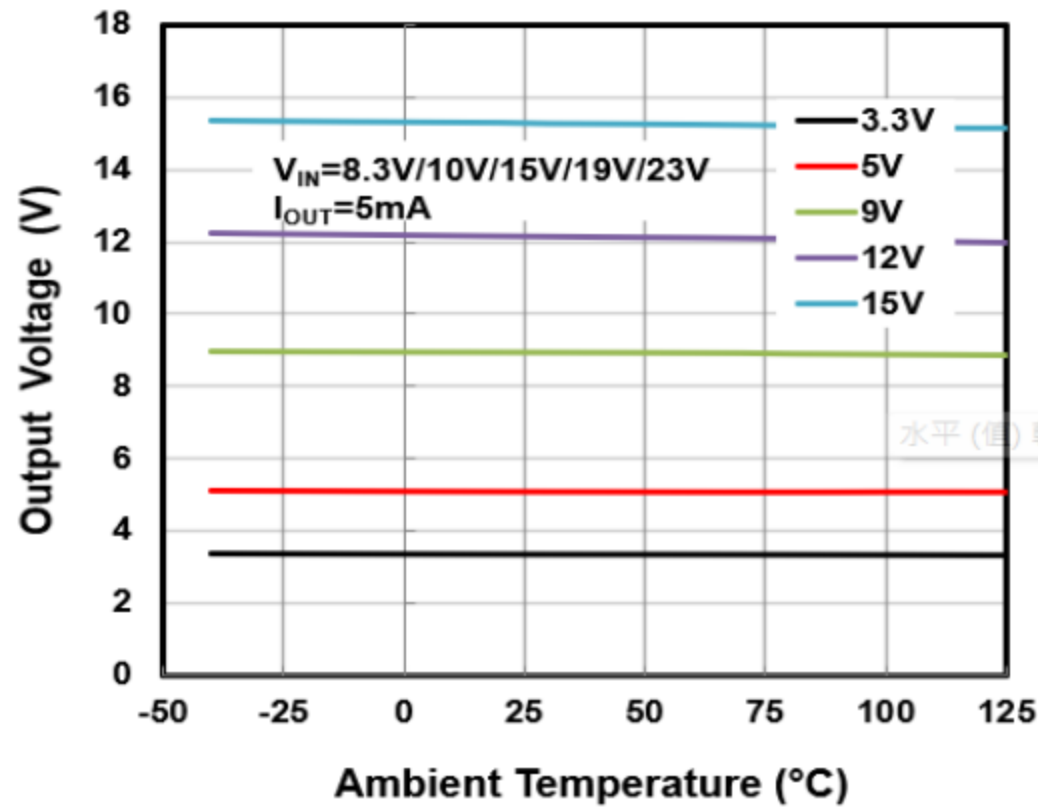


Fig 1. Output Voltage vs. Ambient Temperature

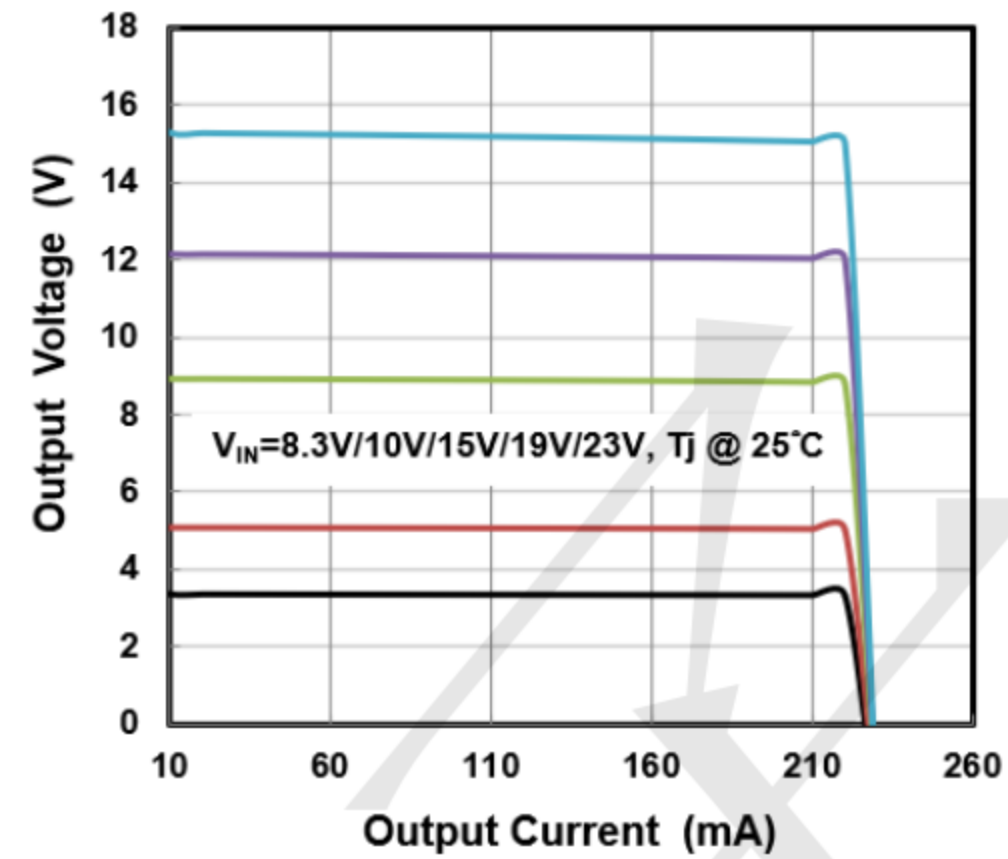


Fig 2. Output Voltage vs. Output Current

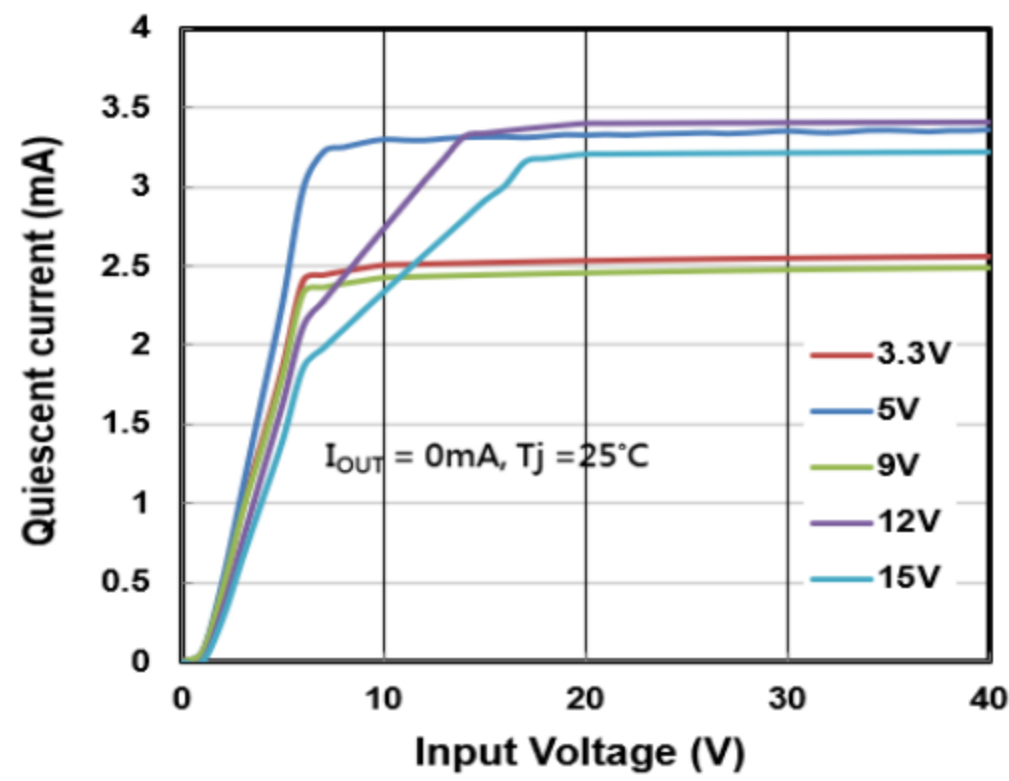


Fig 3. Quiescent Current vs. Input Current

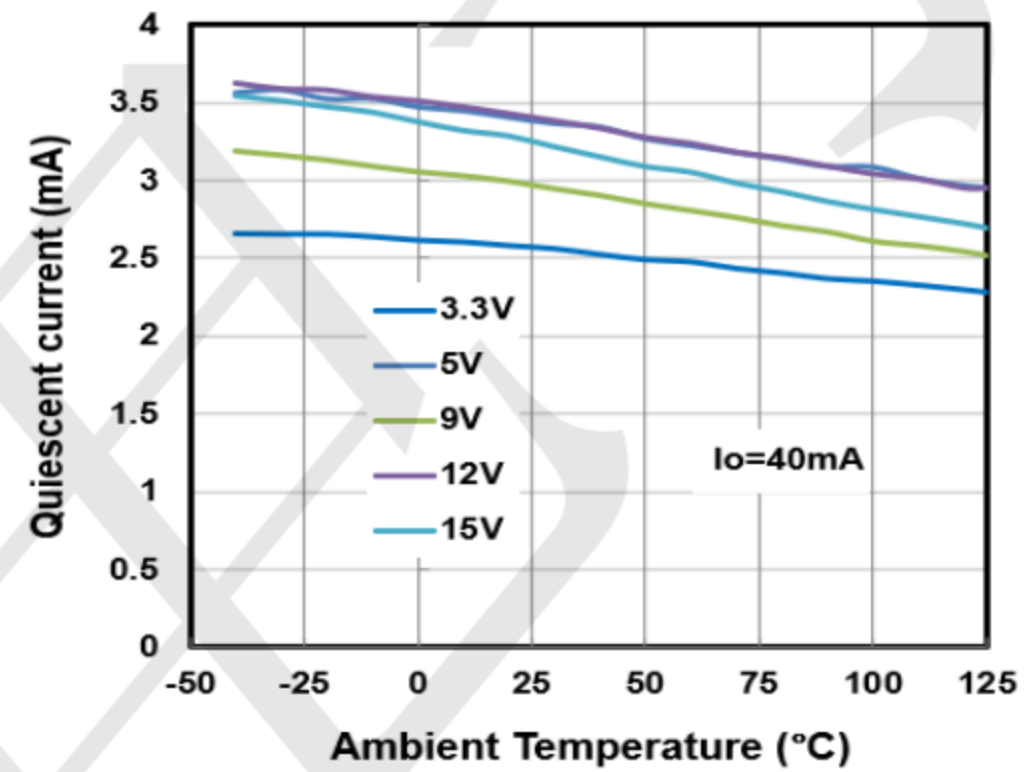


Fig 4. Quiescent Current vs. Temperature

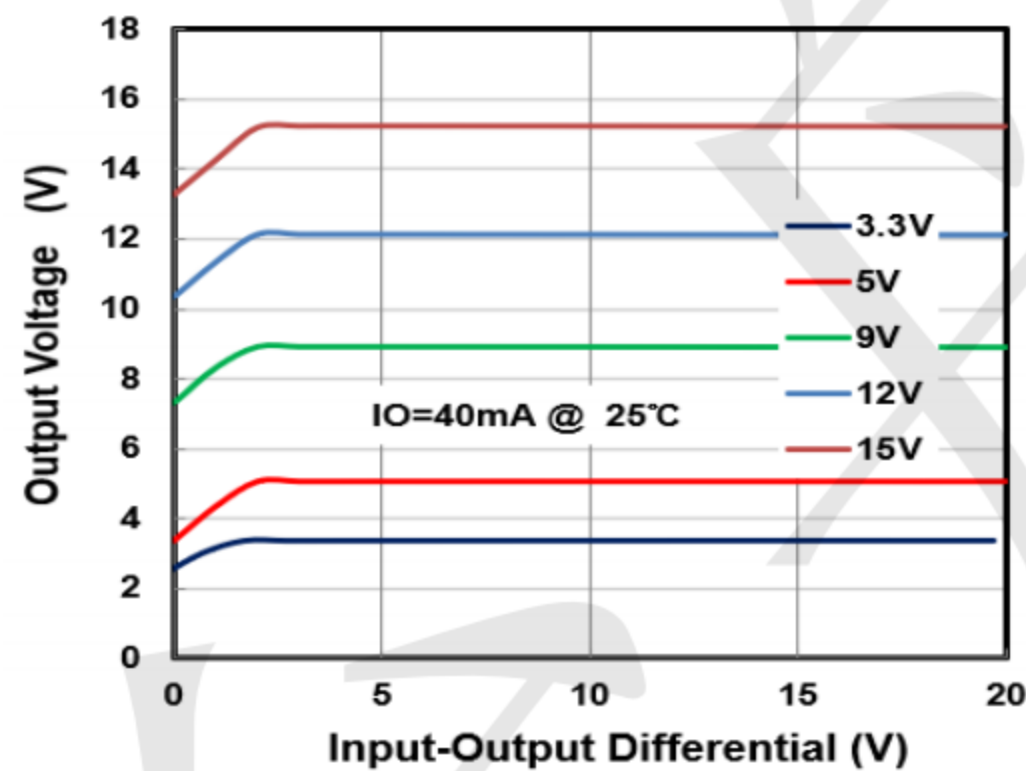


Fig 5. Output Voltage vs. $V_{IN}-V_{OUT}$ Diff.



TECH PUBLIC

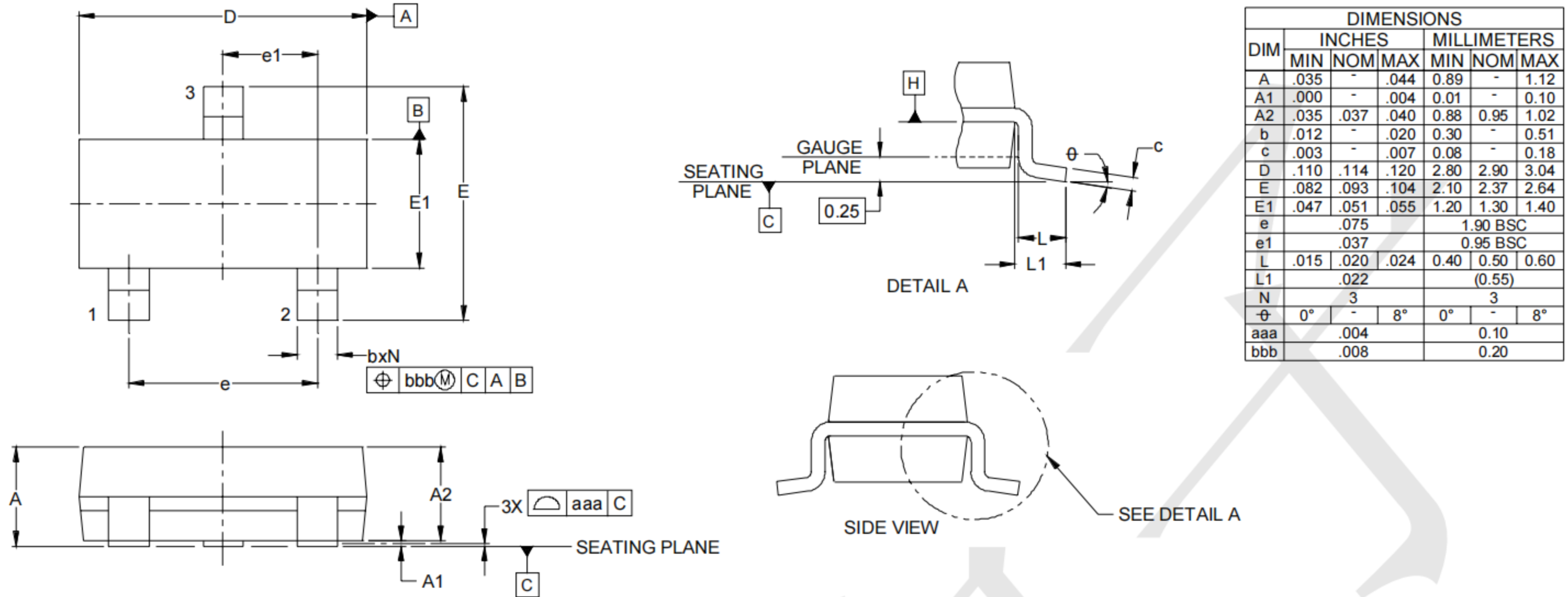
—台丹电子—

TPTLV760xxDBZR

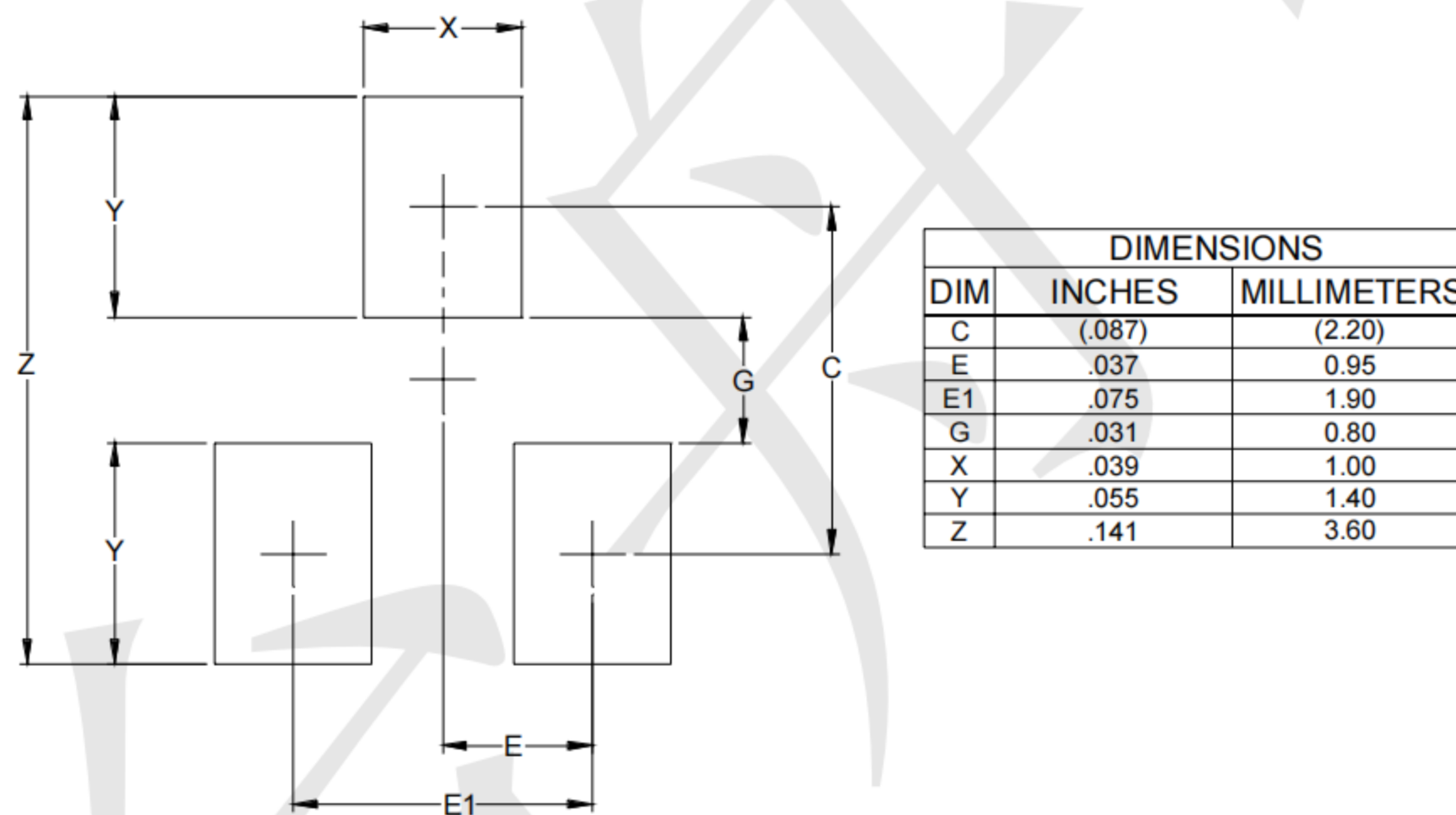
100-mA, SOT-23, Quasi Low-Dropout Linear Voltage Regulator

www.sot23.com.tw

Outline Drawing - SOT23



Land Pattern - SOT23



X-ON Electronics

Largest Supplier of Electrical and Electronic Components

Click to view similar products for [Linear Voltage Regulators](#) category:

Click to view products by [TECH PUBLIC](#) manufacturer:

Other Similar products are found below :

[LV5684PVD-XH](#) [MCDTSA6-2R](#) [L7815ACV-DG](#) [LV56801P-E](#) [UA7805CKC](#) [714954EB](#) [ZMR500QFTA](#) [BA033LBSG2-TR](#)
[NCV78M05ABDTRKG](#) [LV5680P-E](#) [L79M05T-E](#) [L78LR05D-MA-E](#) [NCV317MBTG](#) [NTE7227](#) [MP2018GZD-33-P](#) [MP2018GZD-5-P](#)
[LV5680NPVC-XH](#) [ZTS6538SE](#) [UA78L09CLP](#) [UA78L09CLPR](#) [CAT6221-PPTD-GT3](#) [MC78M09CDTRK](#) [NCV51190MNTAG](#)
[BL1118CS8TR1833](#) [BL8563CKETR18](#) [BL8077CKETR33](#) [BL9153-33CC3TR](#) [BL9161G-15BADRN](#) [BL9161G-28BADRN](#)
[BRCO7530MMC](#) [CJ7815B-TFN-ARG](#) [LM317C](#) [GM7333K](#) [GM7350K](#) [XC6206P332MR](#) [HT7533](#) [LM7912S/TR](#) [LT1764S/TR](#) [LM7805T](#)
[LM338T](#) [LM1117IMP-3.3/TR](#) [HT1117AM-3.3](#) [HT7550S](#) [AMS1117-3.3](#) [HT7150S](#) [78L12](#) [HT7550](#) [HT7533-1](#) [HXY6206I-2.5](#) [HT7133](#)