

## Features

- 2-pin lead-less package
- Junction capacitance (Max value: 350pF)
- Peak Pulse current (8/20  $\mu$  s) MAX : 40A
- IEC61000-4-2 (ESD)  $\pm$ 30kV (air),  $\pm$ 30kV (contact)
- Low leakage current
- Working voltages:7V
- RoHS Compliant

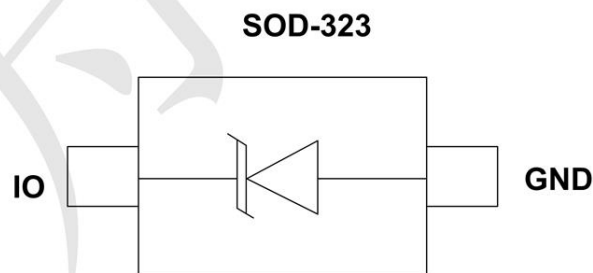
## Mechanical Characteristics

- Package: SOD-323
- Lead Finish:Matte Tin
- Case Material: “Green” Molding Compound.
- UL Flammability Classification Rating 94V-0
- Moisture Sensitivity: Level 3 per J-STD-020
- Tape Reel :3000pcs

## Applications

- Laptop Computers
- Cellular Phones
- Digital Cameras
- Personal Digital Assistants(PDAs)

## Dimensions and Pin Configuration



**Marking: D07**

**Absolute Maximum Ratings** (Tamb=25°C unless otherwise specified)

Parameters	Symbol	Value	Unit
Peak Pulse Power (tp=8/20μs waveform)	P <sub>PP</sub>	720	W
Peak Pulse Current (8/20μs)	I <sub>PP</sub>	40	A
ESD per IEC 61000-4-2 (Air) ESD per IEC 61000-4-2 (Contact)	V <sub>ESD</sub>	±30 ±30	KV
Operating Temperature Range	T <sub>J</sub>	-55 to +125	°C
Storage Temperature Range	T <sub>stg</sub>	-55 to +150	°C

**Electrical Characteristics** (TA=25°C unless otherwise specified)

Parameter	Symbol	Test Condition	Min	Typ	Max	Unit
Reverse Working Voltage	V <sub>RWM</sub>				7	V
Reverse Breakdown Voltage	V <sub>(BR)R</sub>	I <sub>R</sub> = 1mA	7.5		9.5	V
Reverse Leakage Current	I <sub>R</sub>	V <sub>R</sub> = 7V			0.5	uA
Clamping voltage	V <sub>C</sub>	I <sub>PP</sub> = 1A, T <sub>P</sub> =8/20us			10	V
Clamping voltage	V <sub>C</sub>	I <sub>PP</sub> = 24A, T <sub>P</sub> =8/20us			14	V
Clamping voltage	V <sub>C</sub>	I <sub>PP</sub> = 40A, T <sub>P</sub> =8/20us			18	V
Junction capacitance	C <sub>j</sub>	V <sub>R</sub> = 0V, f = 1MHz			350	pF

**Typical Performance Characteristics (TA=25°C unless otherwise Specified)**

FIG1: Power rating derating curve

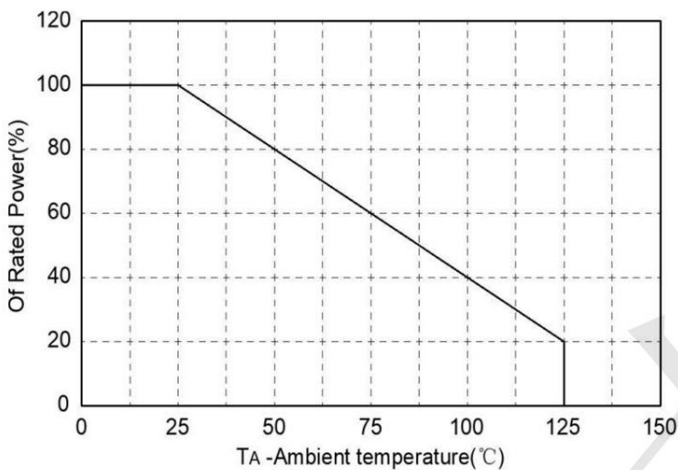


FIG2: pulse Waveform

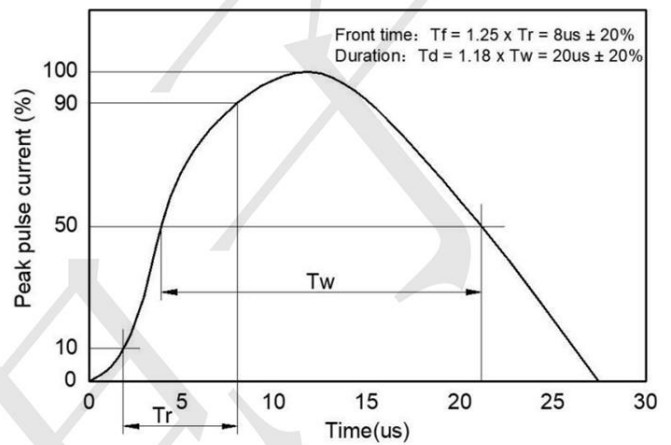


FIG3: Capacitance between terminals characteristics

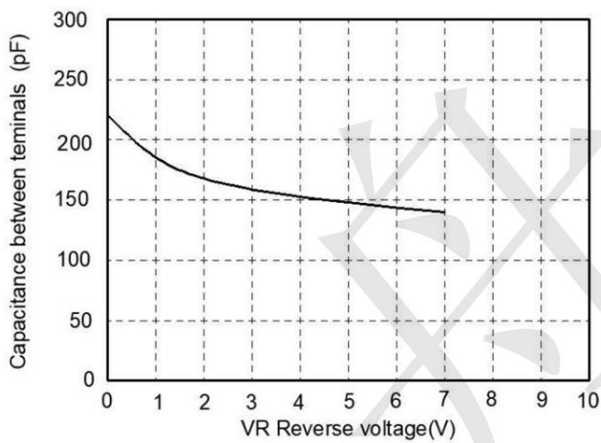
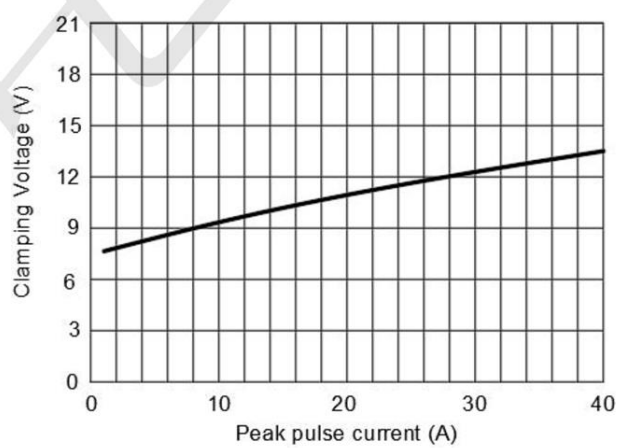
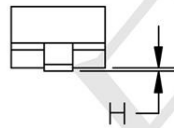
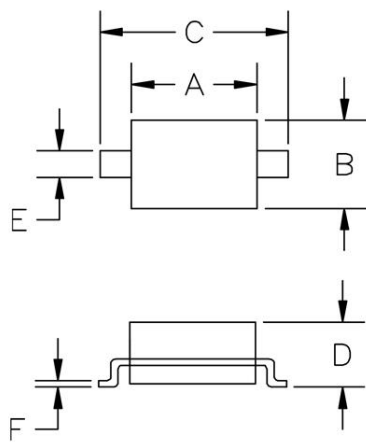


FIG4: Clamping Voltage vs. Peak Pulse Current

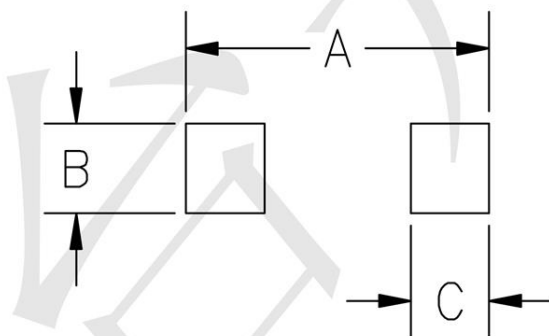


### Outline Drawing - SOD-323



SYM	DIMENSIONS			
	MILLIMETERS		INCHES	
	MIN	MAX	MIN	MAX
A	1.50	1.80	0.060	0.071
B	1.20	1.40	0.045	0.054
C	2.30	2.70	0.090	0.107
D	-	1.10	-	0.043
E	0.30	0.40	0.012	0.016
F	0.10	0.25	0.004	0.010
H	-	0.10	-	0.004

### Land Pattern - SOD-323



SYM	DIMENSIONS	
	MILLIMETERS	INCHES
A	3.15	0.120
B	0.80	0.031
C	0.80	0.031

## X-ON Electronics

Largest Supplier of Electrical and Electronic Components

*Click to view similar products for [ESD Suppressors / TVS Diodes](#) category:*

*Click to view products by [TECH PUBLIC](#) manufacturer:*

Other Similar products are found below :

[60KS200C](#) [D18V0L1B2LP-7B](#) [D5V0F4U5P5-7](#) [NTE4902](#) [P4KE27CA](#) [P6KE11CA](#) [P6KE8.2A](#) [SA60CA](#) [SA64CA](#) [SMBJ12CATR](#)  
[SMBJ33CATR](#) [SMBJ6.5A](#) [SMBJ8.0A](#) [ESD101-B1-02ELS E6327](#) [ESD112-B1-02EL E6327](#) [ESD7451N2T5G](#) [19180-510](#) [CPDT-5V0USP-](#)  
[HF](#) [3.0SMCJ33CA-F](#) [3.0SMCJ36A-F](#) [HSPC16701B02TP](#) [JANTX1N6126A](#) [D3V3Q1B2DLP3-7](#) [D55V0M1B2WS-7](#) [SCM1293A-04SO](#)  
[ESD200-B1-CSP0201 E6327](#) [SM12-7](#) [CEN955 W/DATA](#) [VESD12A1A-HD1-GS08](#) [CPDQC5V0-HF](#) [D1213A-01LP4-7B](#) [ESD101-B1-02EL](#)  
[E6327](#) [AOZ8808DI-03](#) [5KP15A](#) [5KP48A](#) [5KP90A](#) [ESD3V3D7-TP](#) [15KPA36A-LF](#) [P4KE56CA](#) [P4KE68A](#) [P4KE91CATR](#) [P6KE120A](#)  
[P6KE13CA](#) [P6KE43CA](#) [P6KE6.8CA](#) [P6KE8.2](#) [P6SMBJ20CA](#) [JANTX1N6072A](#) [SR2835ESKG](#) [SA90CA](#)