

Features

- High Input Voltage Range: up to 12V
- Maximum Output Current: 250mA
- Low Quiescent current: 2 μ A
- Low Dropout: 200mV (typ)@100mA (3.3V)
- Low Output Voltage Accuracy: \pm 2%
- Low Power Consumption
- Low Temperature Coefficient
- Available Packages: SOT89-3、SOT-23-5

Applications

- Battery powered portable devices
- Smart phone, tablet
- Hi resolution camera sensor power
- Wireless modules
- RF, PLL, VCO clock power

General Description

The XC6201P is a low-dropout (LDO) voltage regulators with enable function offering the benefits of high input voltage, low-dropout voltage, low-power consumption, and miniaturized packaging.

The features of low quiescent current as low as 2.0 μ A and zero disable current is ideal for powering the battery equipment to a longer service life. The XC6201P

is stable with the ceramic output capacitor over its wide input range from 2V to 12V and the entire range of output load current.

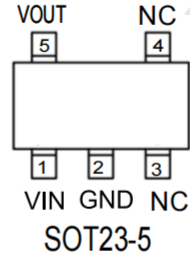
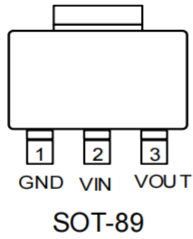
Ordering Information

XC6201P332MR

PACKAGE TYPE
PR: SOT-89-3
MR: SOT-23-5

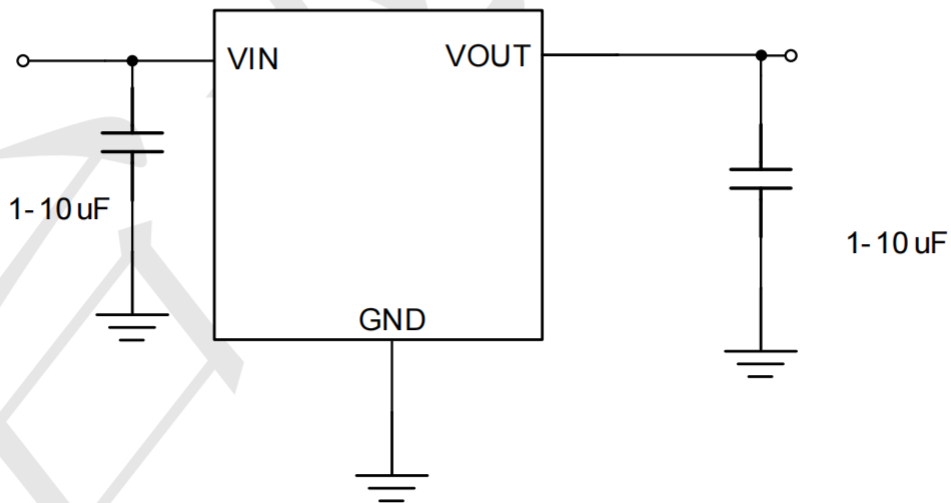
OUTPUT VOLTAGE
12: 1.2V
15: 1.5V
18: 1.8V
30: 3.0V
33: 3.3V
50: 5.0V

Pin Distribution



Pin Name	Pin Function
NC	NO Connected
GND	Ground
VOUT	Output Voltage
VIN	Power Input Voltage

Typical Application Circuit



Absolute Maximum Rating (T_A=25°C unless otherwise noted)

Parameter		Value	Unit
Supply Voltage		-0.3~+15	V
Power Dissipation	SOT-23-5	250	mW
	SOT-89	500	mW
Thermal Resistance, Junction-to-Ambient	SOT-23-5	200	°C/W
	SOT-89	500	°C/W
Operating Ambient Temperature		-40 ~ +85	°C
Storage temperature range		-50 ~ +125	°C
ESD Voltage	HBM	2	KV

Recommended Operating Conditions

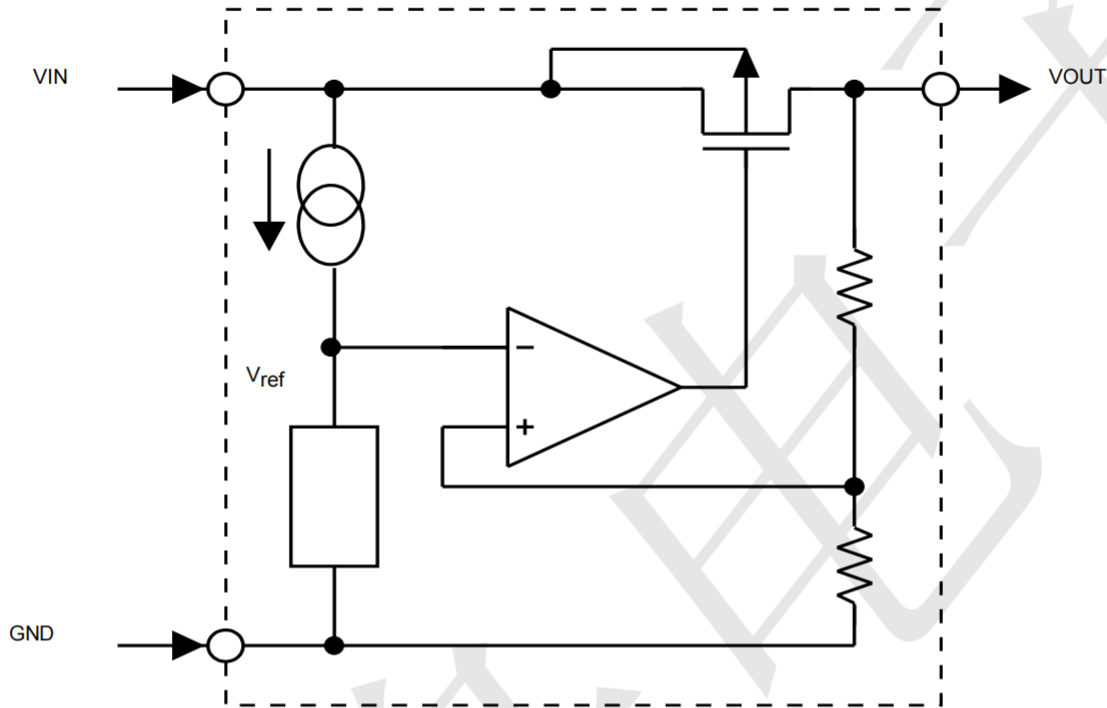
Parameter	Value	Unit
Supply Voltage	15	V
Maximum Output Current	300	mA
Operating Ambient Temperature	-40 ~ +85	°C

Electrical Characteristics (T =25°C unless otherwise noted)

($V_{IN}=V_{OUT}+2$, $C_{IN}=10\mu F$, $C_{OUT}=10\mu F$, $T_A=25^\circ C$, unless otherwise noted.)

Parameter	Symbol	Test Conditions	Min.	Typ.	Max.	Unit
Input Voltage	V_{IN}		--	--	12	V
Output Voltage Accuracy	ΔV_{OUT}	$I_{OUT}=10mA$	-2	--	+2	%
Max. Output Current	I_{OUT}		300	--	--	mA
Quiescent Current	I_Q	$I_{OUT}=0mA$	--	1.5	3	μA
Dropout Voltage ^{Note1}	V_{DROP}	$2.8V \leq V_{OUT} < 3.0V$, $I_{OUT}=10mA$	--	30	55	mV
		$3.0V \leq V_{OUT} < 3.3V$, $I_{OUT}=100mA$	--	210	300	
		$3.3V \leq V_{OUT} < 3.6V$, $I_{OUT}=100mA$	--	195	300	
		$3.6V \leq V_{OUT} < 4.0V$, $I_{OUT}=100mA$	--	180	300	
		$4.0V \leq V_{OUT} < 4.4V$, $I_{OUT}=100mA$	--	170	300	
		$4.4V \leq V_{OUT} < 5.0V$, $I_{OUT}=100mA$	--	160	300	
		$5.0V \leq V_{OUT} < 9.0V$, $I_{OUT}=100mA$	--	150	300	
		$9.0V \leq V_{OUT}$, $I_{OUT}=100mA$	--	130	300	
Line Regulation	ΔV_{LINE}	$V_{IN}=V_{OUT}+2$ to 20V, $I_{OUT}=1mA$	--	--	0.2	%/V
Load Regulation	ΔV_{LOAD}	$1mA < I_{OUT} < 300mA$	--	37	100	mV
Short Current	I_{SHORT}	$V_{OUT}=0V$	--	250	--	mA
Limit Current	I_{LIMIT}	$V_{IN}=V_{OUT} + 2V, I_{OUT}=1mA$	--	530	--	mA
Power Supply Rejection Ratio	PSRR	$V_{OUT}=3V, I_{OUT}=100mA, f=1KHz$	--	33	--	dB
Thermal Shutdown Temperature	$\frac{\Delta V_{OUT}}{V_{OUT} \times \Delta T_A}$	$V_{IN}=V_{OUT}+2V, I_{OUT}=10mA$ $-40^\circ C \leq T_A \leq 85^\circ C$	--	100	--	ppm/ $^\circ C$

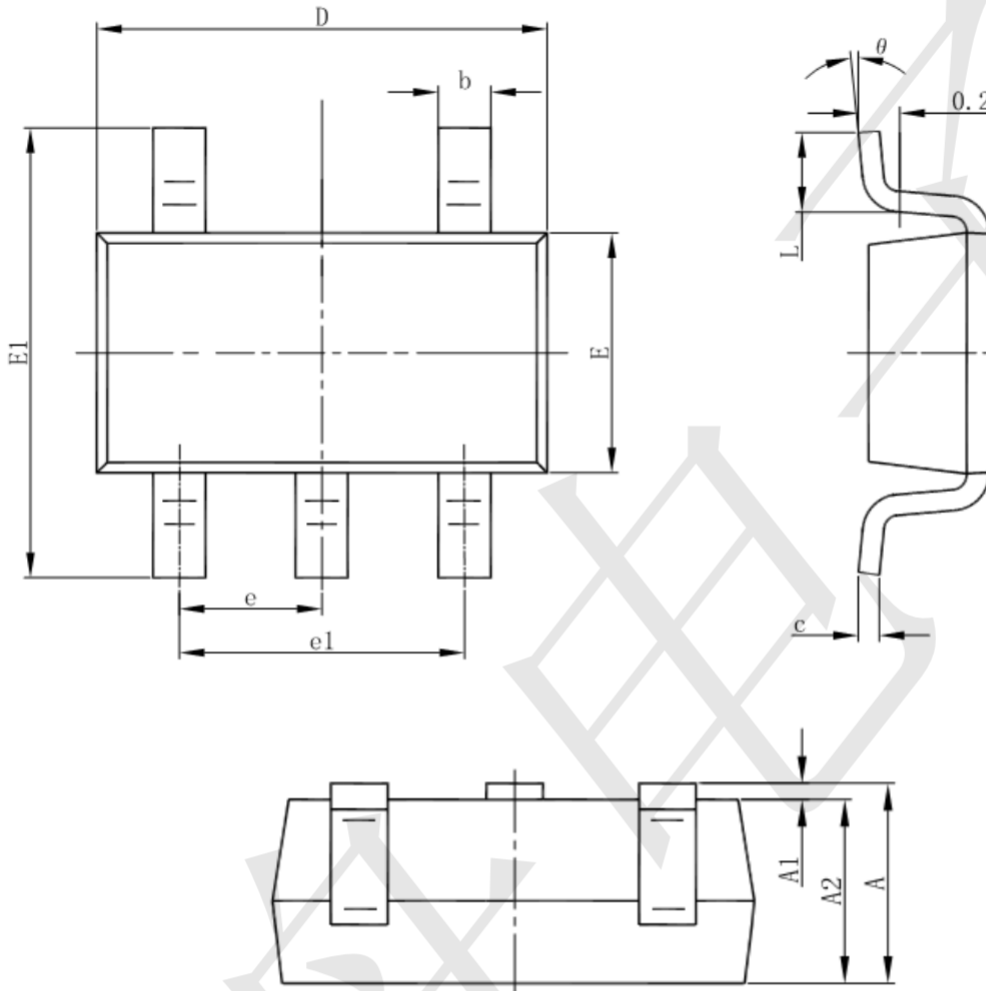
Block Diagram





Package informantion

SOT23-5

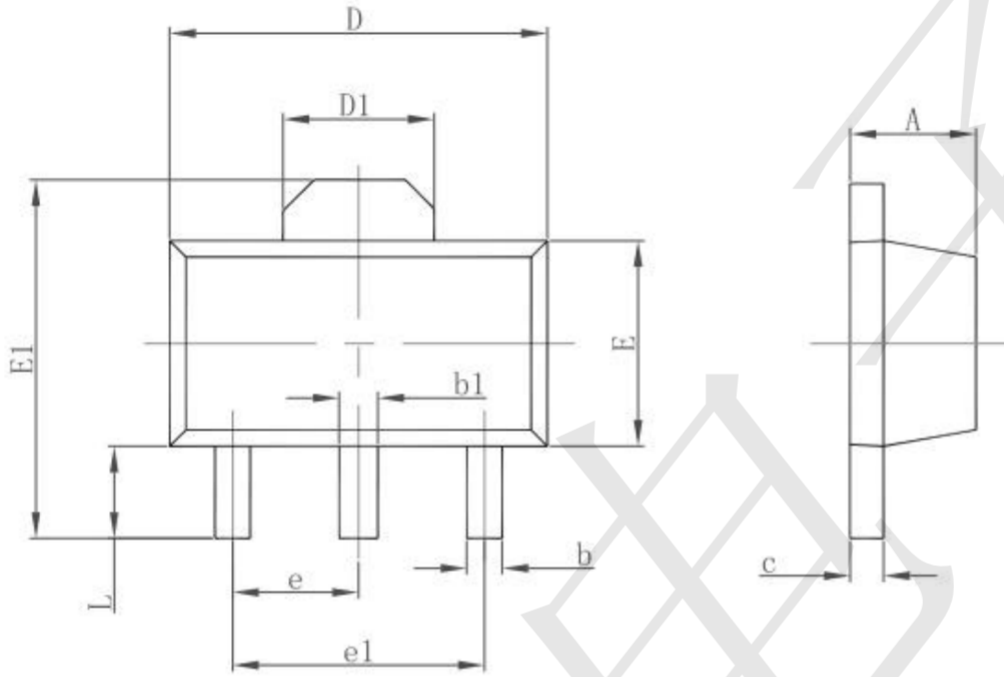


Symbol	Dimensions In Millimeters		Dimensions In Inches	
	Min	Max	Min	Max
A	1.050	1.250	0.041	0.049
A1	0.000	0.100	0.000	0.004
A2	1.050	1.150	0.041	0.045
b	0.300	0.500	0.012	0.020
c	0.100	0.200	0.004	0.008
D	2.820	3.020	0.111	0.119
E	1.500	1.700	0.059	0.067
E1	2.650	2.950	0.104	0.116
e	0.950(BSC)		0.037(BSC)	
e1	1.800	2.000	0.071	0.079
L	0.300	0.600	0.012	0.024
θ	0°	8°	0°	8°



Package information

SOT89-3



Symbol	Dimensions In Millimeters		Dimensions In Inches	
	Min.	Max.	Min.	Max.
A	1.400	1.600	0.055	0.063
b	0.320	0.520	0.013	0.020
b1	0.400	0.580	0.016	0.023
c	0.350	0.440	0.014	0.017
D	4.400	4.600	0.173	0.181
D1	1.550 REF.		0.061 REF.	
E	2.300	2.600	0.091	0.102
E1	3.940	4.250	0.155	0.167
e	1.500 TYP.		0.060 TYP.	
e1	3.000 TYP.		0.118 TYP.	
L	0.900	1.200	0.035	0.047

X-ON Electronics

Largest Supplier of Electrical and Electronic Components

Click to view similar products for [Linear Voltage Regulators](#) category:

Click to view products by [TECH PUBLIC](#) manufacturer:

Other Similar products are found below :

[LV5684PVD-XH](#) [MCDTSA6-2R](#) [L7815ACV-DG](#) [714954EB](#) [ZMR500QFTA](#) [BA033LBSG2-TR](#) [LV5680P-E](#) [L79M05T-E](#) [L78LR05D-MA-E](#) [NCV317MBTG](#) [NTE7227](#) [MP2018GZD-33-P](#) [MP2018GZD-5-P](#) [LV5680NPVC-XH](#) [LT1054CN8](#) [UA78L09CLP](#) [UA78L09CLPR](#) [CAT6221-PPTD-GT3](#) [MC78M09CDTRK](#) [NCV51190MNTAG](#) [78M05](#) [HT7150-1](#) [UM1540DB-18](#) [XC6234H281VR-G](#) [WL2834CA-6/TR](#) [TPL730F33-5TR](#) [TLS850F1TA](#) [V50](#) [TPS549B22RVFR](#) [UM1540DB-33](#) [WL9200P3-50B](#) [WL9100P3-33B](#) [WL9005D4-33](#) [XC6219B152MR](#) [WL2855K33-3/TR](#) [PJ54BM33SE](#) [PJ9500M25SA](#) [MD7218E33PC1](#) [H7533-2PR](#) [SK7812AU](#) [SD1A30](#) [78L33](#) [TP78L33T3](#) [L78L33ACUTR](#) [SK6513ST3A-50](#) [SK6054D4-09](#) [SK6054D4-18](#) [SK6054D4-11](#) [SK6054D4-10](#) [LM79L12F](#) [HLP2985AIM5X-5.0](#)