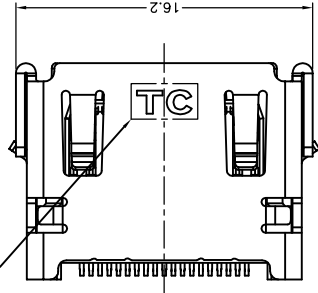
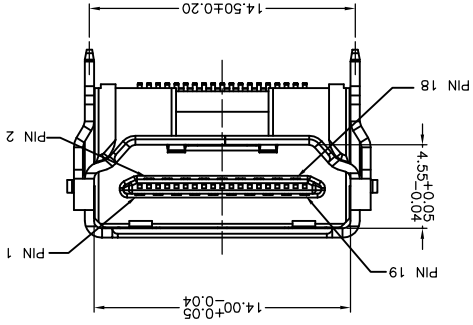
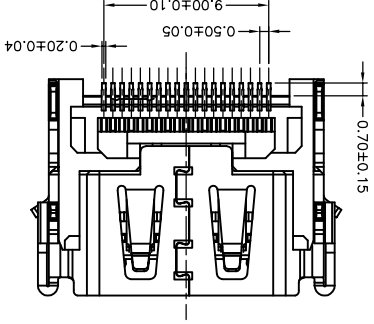
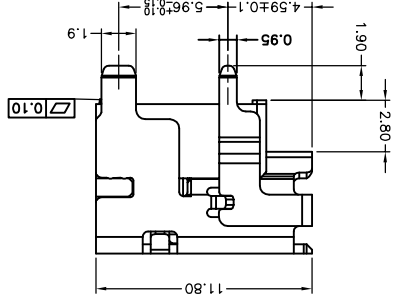


REV	ECN NO	DESCRIPTION	DATE
A	TE2010-213	初版发行	2010.04.13
B	TE2011-0276	新开外壳模具, 改善外壳结构不良	2011.05.30
C	TE2015-0157	新增规格端子尾部镀层80u"Min	2015.05.18



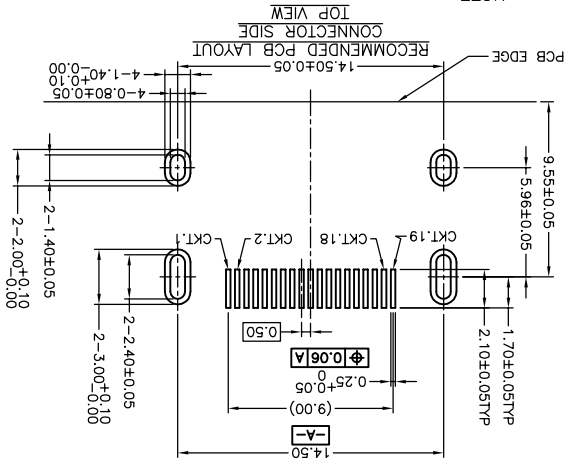
LOGO 标识, 详见料号说明



料号信息说明:
A111910-X-XX-X
类别: A:成品
系列码: 11:HDMI-A/F
PIN数码: 19:19PIN
流水码: 10
同类变动码:
E: 外壳有"TC"LOGO, 端子尾部镀金1u"Min
R: 外壳无"TC"LOGO, 端子尾部镀金1u"Min
M: 外壳有"TC"LOGO, 端子尾部镀层80u"Min
01:Au 1u
05:Au 5u
10:Au 10u
15:Au 15u
30:Au 30u
端子接触区电镀
R:TAPE & REEL
I:TRAY
包装

Item	Title	Material	Dispose	Remark
1	Terminal	Copper Alloy	Mating Area:See P/N Solder Tail:5u	t=0.20
2	InsertMolding	LCP	UL94V-0	Black
3	Shell	Copper Alloy	Ni:50u" Min.	t=0.50

NOTE:
1.MATERIAL AND FINISH SEE THE TABLE.
2.MECHANICAL CHARACTERISTICS
INSERTION FORCE: 44.1N MAX
EXTRACTION FORCE: 9.8N MIN, 39.2N MAX
MATING CYCLE:10000 CYCLES
3.ELECTRICAL CHARACTERISTICS
RATING CURRENT: 0.5A
RATING VOLTAGE: 40V
CONTACT RESISTANCE: 10 MILLIOHMS OHMS MAX
(EXCLUDING CONDUCTOR RESISTANCE)
INSULATION RESISTANCE:
a, UNMATED: 100M OHMS MIN AT 500 VDC
b, MATED: 10M OHMS MIN AT 150 VDC
DIELECTRIC WITHSTANDING VOLTAGE:
500V AC/1MINUTE
OPERATING TEMPERATURE: -20°C---+85°C
STORAGE TEMPERATURE: -20°C---+65°C



THE PART MEETS TECONN "GP01" COMPLIANCE NEW REV.

APPD:	Henry Sun	CHKD:	Henry Sun	TITLE:	HDMI-A/F CONN.
X: ± 0.35		.XX ± 0.25		加高型 SMT TYPE	
X: ± 1.5*		DR:	Jason Su	尾部无挡板, 铜壳脚长1.90	
UNITS:	mm	SCALE:	1:1	DWG NO:	A111910-E(F, M)-XX-X
CUSTOMER DRAWING					
REV: C					



X-ON Electronics

Largest Supplier of Electrical and Electronic Components

Click to view similar products for [HDMI, Displayport & DVI Connectors](#) category:

Click to view products by [TECONN](#) manufacturer:

Other Similar products are found below :

[1775247-3](#) [2-1932649-5](#) [30-1231](#) [30-528](#) [2069485-1](#) [30-504](#) [30-519](#) [30-542](#) [47648-2000](#) [2002-400](#) [TC142X](#) [1453G1](#) [769-103/021-000](#)
[1932649-1](#) [233-368NFG6-17NH](#) [G45A19071083HR](#) [233-360NF00-17NH](#) [CP30200GM3B](#) [HYC02-DVI29-371](#) [P136-06NHDV4KBP](#)
[CP30116](#) [LTWDID-29PFFS-SL8001](#) [46765-1301](#) [1211-0010-201-001](#) [47271-1004](#) [32-1121-BU](#) [DS1117-BN0-TME-002](#) [MHDR2A11004BP](#)
[EHHDMI2PKG](#) [1903015-3](#) [DS1114-BN0](#) [WPUSBAF](#) [500254-1931](#) [HDMR-19-01-F-SM](#) [47151-1071](#) [1747981-1](#) [0480372000](#) [0482580001](#)
[D121073-19](#) [472710111](#) [HDMI-S-RA6-SMT-MF-15](#) [P142-000-UP](#) [P134-003](#) [P120-08N](#) [KDMIX-FS1V-WS-B](#) [P142-000-UD](#) [10029449-](#)
[101RLF](#) [P132-000](#) [P130-000](#) [P142-06N-MICRO](#)