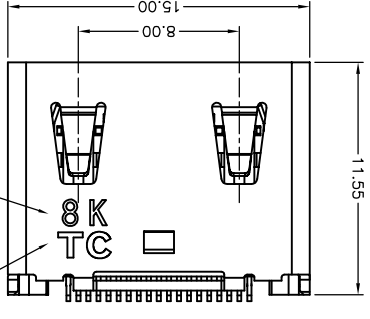
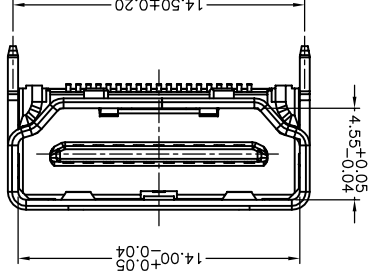
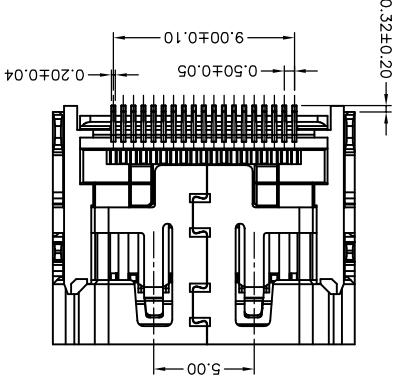
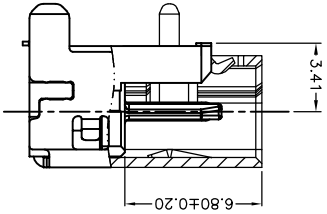
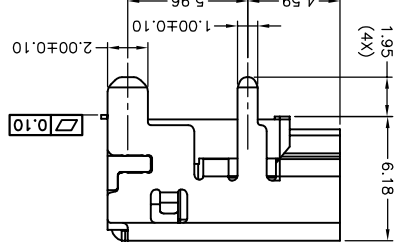


REV	ECC NO	DESCRIPTION	DESIGN	DATE
A	TE2019-00XX	New Drawing	Cold	2019/05/15



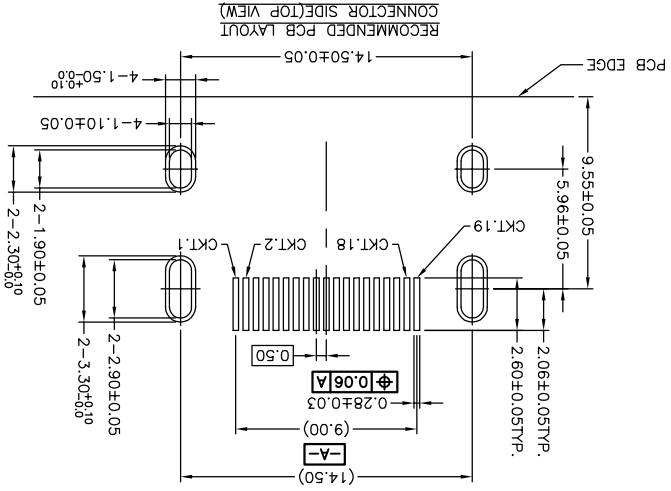
"TC" LOGO
为可选项
"8K" LOGO



料号信息说明: A111916-X-XX-X
 类别
 A: 成品
 系列码
 PIN 数码
 19: 19PIN
 流水码: 16
 同类变动码:
 A: SHELL WITH "TC" LOGO
 B: SHELL WITHOUT "TC" LOGO
 01: Au 1u
 03: Au 3u
 05: Au 5u
 10: Au 10u
 15: Au 15u
 端子接触区电镀
 R: TAPE REEL
 T: TRAY
 包装

Item	Title	Material	Dispose	Remark
1	Terminal	Copper Alloy	Mating Area: See P/N	t=0.20
2	InsertMolding	High Temperature UL94V-0	Black	
3	Shell	Copper Alloy	Mt: 50u" Min.	t=0.50

NOTES:
 1. MATERIAL AND FINISH SEE THE TABLE.
 2. MECHANICAL CHARACTERISTICS
 INSERTION FORCE: 44.1N MAX
 WITHDRAWAL FORCE: 9.8N MIN, 39.2N MAX
 MATING CYCLE: 10000 CYCLES
 3. ELECTRICAL CHARACTERISTICS
 RATING CURRENT: 0.5A
 RATING VOLTAGE: 40V AC
 CONTACT RESISTANCE: 10 MILLIOHMS MAX
 (EXCLUDING CONDUCTOR RESISTANCE)
 INSULATION RESISTANCE:
 UNMATED: 100M OHMS MIN AT 500V DC
 MATED: 10M OHMS MIN AT 150V DC
 DIELECTRIC WITHSTANDING VOLTAGE:
 500V AC/1MINUTE
 OPERATING TEMPERATURE: -20°C---+85°C
 STORAGE TEMPERATURE: -20°C---+65°C



THE PART MEETS TECONN "GP01" COMPLIANCE NEW REV.

X. ± 0.35	APPD:	Lebon Lee	TITLE:	HDM12.1-A/F CONN.	SMT TYPE	A111916-A(B)-XX-X	PART NO:	Cola Lee	UNITS:	mm	SCALE:	1:1	DWG NO:	CUSTOMER DRAWING	C-A111916-A(B)-XX-X	REV: A	
	X. ± 0.25	CHKD:															
X. ± 1.5	DR:																
.XXX±																	



SHEET:10/1

X-ON Electronics

Largest Supplier of Electrical and Electronic Components

Click to view similar products for [HDMI, Displayport & DVI Connectors](#) category:

Click to view products by [TECONN](#) manufacturer:

Other Similar products are found below :

[1775247-3](#) [2-1932649-5](#) [30-1231](#) [30-528](#) [2069485-1](#) [30-504](#) [30-519](#) [30-542](#) [47648-2000](#) [2002-400](#) [TC142X](#) [1453G1](#) [769-103/021-000](#)
[1932649-1](#) [233-368NFG6-17NH](#) [G45A19071083HR](#) [233-360NF00-17NH](#) [CP30200GM3B](#) [HYC02-DVI29-371](#) [P136-06NHDV4KBP](#)
[CP30116](#) [LTWDID-29PFFS-SL8001](#) [46765-1301](#) [1211-0010-201-001](#) [47271-1004](#) [32-1121-BU](#) [DS1117-BN0-TME-002](#) [MHDR2A11004BP](#)
[EHHDMI2PKG](#) [1903015-3](#) [DS1114-BN0](#) [WPUSBAF](#) [500254-1931](#) [HDMR-19-01-F-SM](#) [47151-1071](#) [1747981-1](#) [0480372000](#) [0482580001](#)
[D121073-19](#) [472710111](#) [HDMI-S-RA6-SMT-MF-15](#) [P142-000-UP](#) [P134-003](#) [P120-08N](#) [KDMIX-FS1V-WS-B](#) [P142-000-UD](#) [10029449-](#)
[101RLF](#) [P132-000](#) [P130-000](#) [P142-06N-MICRO](#)