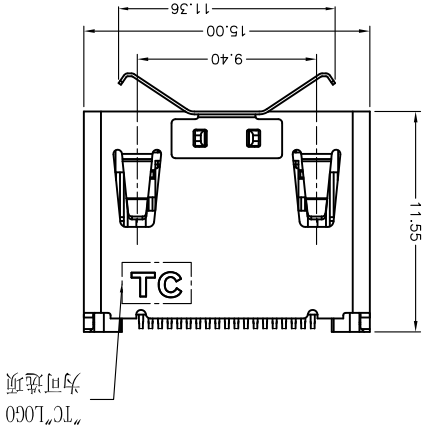
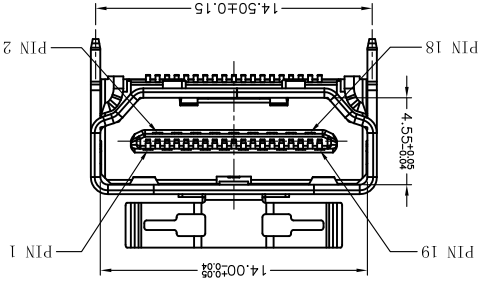
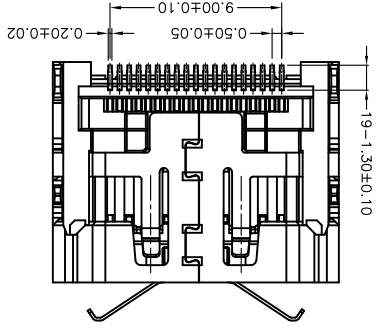
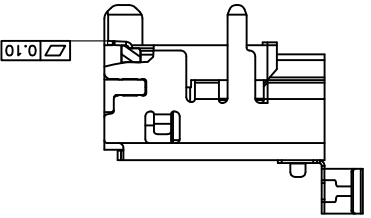
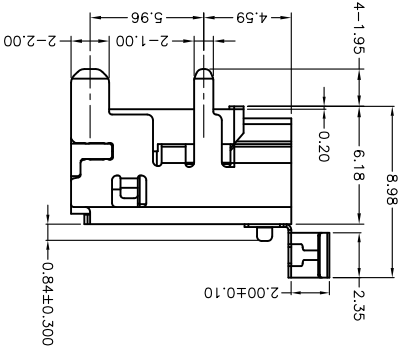


REV	ECN NO	DESCRIPTION	DATE
B	TE2013-0154	圖面有誤	2013.04.17
A	TE2013-0001	初版發行	2013.01.02



"TC"LOGO
为可选项



Part NO. information
A111922-X-XX-X

Form
A:ASS'y
series
11:HDMI-A/F

number of POS.:19pin
01:Au 1u
03:Au 3u
05:Au 5u
10:Au 10u
15:Au 15u
30:Au 30u

difference type:
2: shell with "tc" logo
3: shell without logo

packing
T:tray
R:tape&reel

Contact area

NO.	name	material	part No.	plating/color	note
01	molding	B111922-V-XX-A		LCP(U94V-0)	black
02	shell	K111922-2-W-A		C2680,T=0.50	solderable Ni 50u min.(TC 1000)
03	contact	T111922-V-XX-A		C2680,T=0.20	80u min matte tin plated on solder tails 50u min. nickel under plated over all
04	shrapnel	K111910-J-00-A		SUS304,T=0.15	gold plating on contact area see part no.

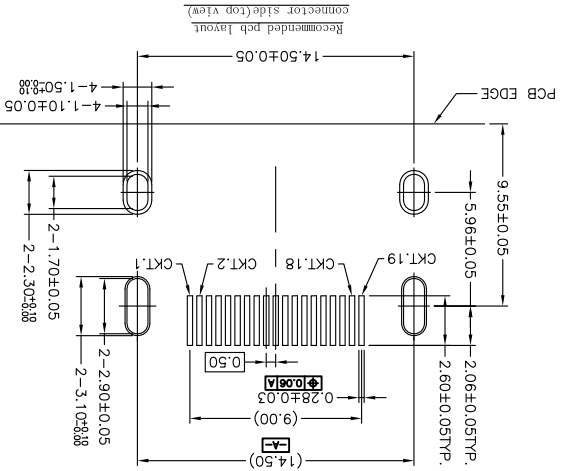
APD:	CHKD:	DR:	UNITS:	SCALE:	NONE
X ± 0.30	Knight	Andrew	mm		
.X ± 0.25	Knight				
.XX ± 0.20					
.XXX ± 0.15					
X ± 2'					
X ± 1.5'					

TITLE:	PART NO.:	DWG NO.:	REV.:
HDMI-A/F smt type connector	A111922-2(3)-XX-X	C-A111922-2(3)-XX-X	REV.3

客户图 SHEET:10/1

TECOM 泰康电子

Notes:
1.Material and finish see the table.
2.Mechanical characteristics
Insertion force: 44.1N max
Extraction force: 9.8N min, 39.2N max
Mating cycle:10000 cycles
3.Electrical characteristics
Rating current: 0.5A
Rating voltage: 40V
Contact resistance: 10 Millionohms max
(Excluding conductor resistance)
Insulation resistance:
a, Unmated: 10M ohms min at 500 VDC
b, Mated: 10M ohms min at 150 VDC
Dielectric withstanding voltage:
500V AC/1minute
Operating teperature: -20°C--+85°C
Storage temperature: -20°C--+65°C



符合泰康“环境相关物质管理规定GP001”

X-ON Electronics

Largest Supplier of Electrical and Electronic Components

Click to view similar products for [HDMI, Displayport & DVI Connectors](#) category:

Click to view products by [TECONN](#) manufacturer:

Other Similar products are found below :

[1775247-3](#) [2-1932649-5](#) [30-1231](#) [30-528](#) [2069485-1](#) [30-504](#) [30-519](#) [30-542](#) [47648-2000](#) [2002-400](#) [TC142X](#) [1453G1](#) [769-103/021-000](#)
[1932649-1](#) [233-368NFG6-17NH](#) [G45A19071083HR](#) [233-360NF00-17NH](#) [CP30200GM3B](#) [HYC02-DVI29-371](#) [P136-06NHDV4KBP](#)
[CP30116](#) [LTWDID-29PFFS-SL8001](#) [46765-1301](#) [1211-0010-201-001](#) [47271-1004](#) [32-1121-BU](#) [DS1117-BN0-TME-002](#) [MHDR2A11004BP](#)
[EHHDMI2PKG](#) [1903015-3](#) [DS1114-BN0](#) [WPUSBAF](#) [500254-1931](#) [HDMR-19-01-F-SM](#) [47151-1071](#) [1747981-1](#) [0480372000](#) [0482580001](#)
[D121073-19](#) [472710111](#) [HDMI-S-RA6-SMT-MF-15](#) [P142-000-UP](#) [P134-003](#) [P120-08N](#) [KDMIX-FS1V-WS-B](#) [P142-000-UD](#) [10029449-](#)
[101RLF](#) [P132-000](#) [P130-000](#) [P142-06N-MICRO](#)