


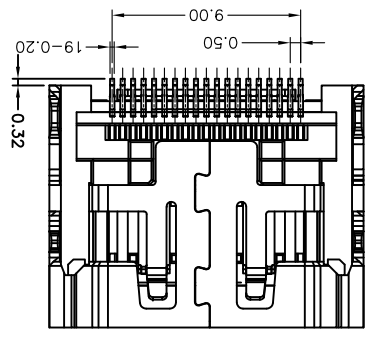
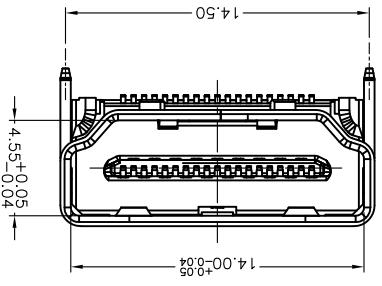
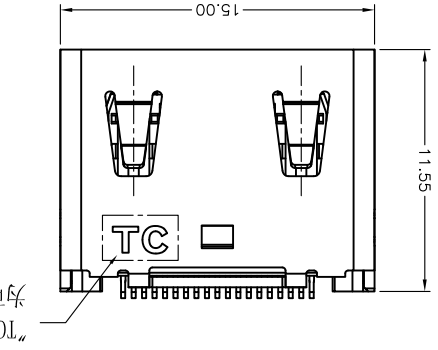
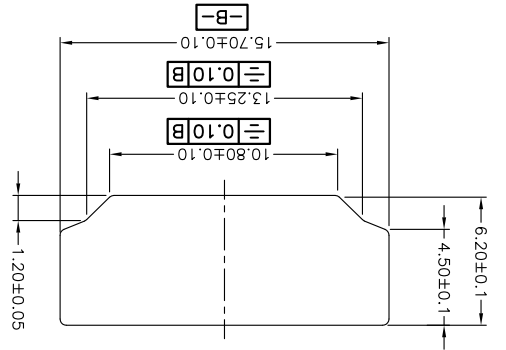
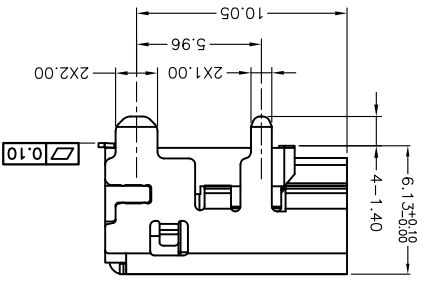
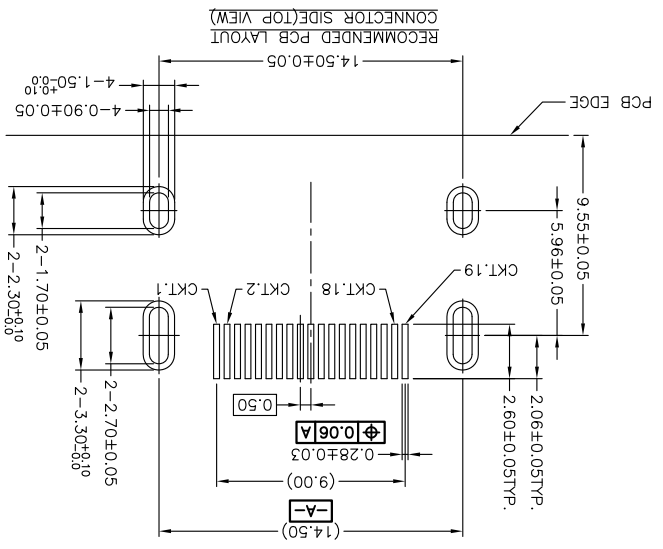
THE PART MEETS TECONN "GP01" COMPLIANCE NEW REV.

NOTES:
 1. MATERIAL AND FINISH SEE THE TABLE.
 2. MECHANICAL CHARACTERISTICS
 INSERTION FORCE: 44.1N MAX
 EXTRACTION FORCE: 9.8N MIN, 39.2N MAX
 MATING CYCLE: 1000 CYCLES
 3. ELECTRICAL CHARACTERISTICS
 RATING CURRENT: 0.5A
 RATING VOLTAGE: 40V
 CONTACT RESISTANCE: 10 MILLIOHMS OHMS MAX
 (EXCLUDING CONDUCTOR RESISTANCE)
 INSULATION RESISTANCE:
 a. UNMATED: 100M OHMS MIN AT 500 VDC
 b. MATED: 10M OHMS MIN AT 150 VDC
 DIELECTRIC WITHSTANDING VOLTAGE:
 500V AC/1MINUTE
 OPERATING TEMPERATURE: -20°C---+85°C
 STORAGE TEMPERATURE: -20°C---+65°C

Form A111926-X-XX-R
 A:ASSY
 Series 11:HDMI-A/F
 Contact area plating
 R: reel
 Packing type
 01: Au 1u"
 03: Au 3u"
 05: Au 5u"
 15: Au 15u"
 30: Au 30u"
 Number of POS.: 19
 Follow NO.: 26
 Difference type:
 B: With "TC" Logo
 D: Without "TC" Logo

Item	Title	Material	Dispose	Remark
1	Terminal	Copper Alloy	Solder Tails:Sn	t=0.20
2	InsertMolding	LCP	UL94V-0	Black
3	Shell	Copper Alloy	N:50u" Min.	t=0.50

	APPD: X. ± 0.30 CHKD: .XX ± 0.20 DR: X. ± 1.5° UNITS: mm SCALE: 1:1	TITLE: HDMI-A/F CONN. SMT TYPE (INSERTMOLDING)	PART NO: A111926-B(D)-XX-R DWG NO: C-A111926-B(D)-XX-R	CUSTOMER DRAWING SHEET:10FT1 REV: A
--	---	--	---	---



REV	ECONO	DESCRIPTION	DESIGN	DATE
A	TE2019-0125	New Drawing	Cola Lee	2019-07-05

10 9 8 7 6 5 4 3 2 1

10 9 8 7 6 5 4 3 2 1

X-ON Electronics

Largest Supplier of Electrical and Electronic Components

Click to view similar products for [HDMI, Displayport & DVI Connectors](#) category:

Click to view products by [TECONN](#) manufacturer:

Other Similar products are found below :

[1775247-3](#) [2-1932649-5](#) [30-1231](#) [30-528](#) [2069485-1](#) [30-504](#) [30-519](#) [30-542](#) [47648-2000](#) [2002-400](#) [TC142X](#) [1453G1](#) [769-103/021-000](#)
[1932649-1](#) [233-368NFG6-17NH](#) [G45A19071083HR](#) [233-360NF00-17NH](#) [CP30200GM3B](#) [HYC02-DVI29-371](#) [P136-06NHDV4KBP](#)
[CP30116](#) [LTWDID-29PFFS-SL8001](#) [46765-1301](#) [1211-0010-201-001](#) [47271-1004](#) [32-1121-BU](#) [DS1117-BN0-TME-002](#) [MHDR2A11004BP](#)
[EHHDMI2PKG](#) [1903015-3](#) [DS1114-BN0](#) [WPUSBAF](#) [500254-1931](#) [HDMR-19-01-F-SM](#) [47151-1071](#) [1747981-1](#) [0480372000](#) [0482580001](#)
[D121073-19](#) [472710111](#) [HDMI-S-RA6-SMT-MF-15](#) [P142-000-UP](#) [P134-003](#) [P120-08N](#) [KDMIX-FS1V-WS-B](#) [P142-000-UD](#) [10029449-](#)
[101RLF](#) [P132-000](#) [P130-000](#) [P142-06N-MICRO](#)