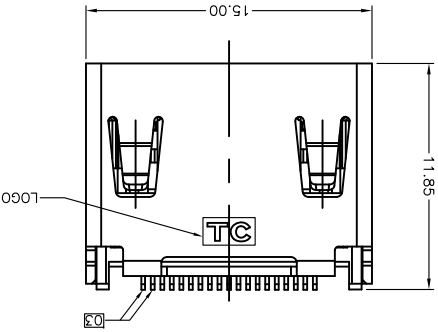
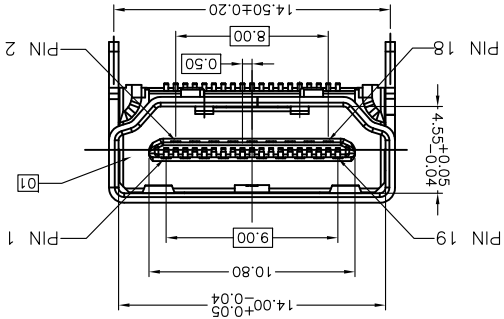
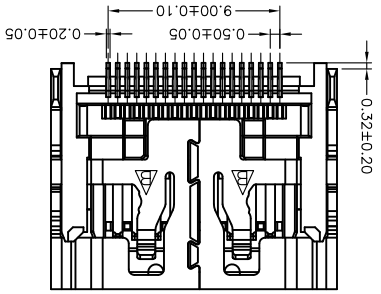


REV	ECN NO	DESCRIPTION	DESIGN	DATE
A	TE2010-908	NEW RELEASE	Xiaoliang	2010.11.16
B	TE2019-0218	CHANGE VIEW SHAPE	Bingo	2019.10.14

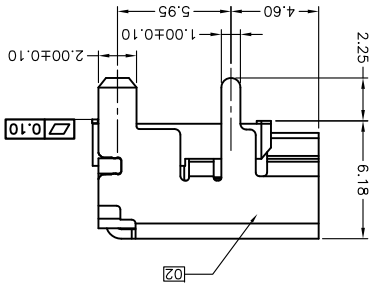


REV	ECN NO	DESCRIPTION	DESIGN	DATE
A	TE2010-908	NEW RELEASE	Xiaoliang	2010.11.16
B	TE2019-0218	CHANGE VIEW SHAPE	Bingo	2019.10.14

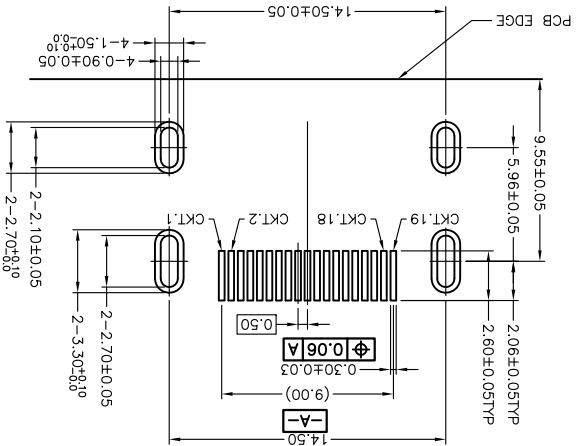
PART NO: A111928-X-XX-X
 DIFFERENT CODE
 E: WITH "TC" LOGO SHELL: High Carbon Steel
 F: WITHOUT LOGO SHELL: High Carbon Steel
 G: WITH "TC" LOGO SHELL: Copper Alloy
 H: WITHOUT LOGO SHELL: Copper Alloy

01: Au 1u
 03: Au 3u
 05: Au 5u
 10: Au 10u
 15: Au 15u
 30: Au 30u

PACKING TYPE
 T: TRAY
 R: TAPE & REEL
 Contact Area Plating



RECOMMENDED PCB LAYOUT
 CONNECTOR SIDE



NOTES:
 1. MATERIAL AND FINISH SEE THE TABLE.
 2. MECHANICAL CHARACTERISTICS
 INSERTION FORCE: 44.1N MAX
 EXTRACTION FORCE: 9.8N MIN, 39.2N MAX
 MATING CYCLE: 10000 CYCLES
 3. ELECTRICAL CHARACTERISTICS
 RATING CURRENT: 0.5A
 RATING VOLTAGE: 40V
 CONTACT RESISTANCE: 10 MILLI OHMS MAX
 (EXCLUDING CONDUCTOR RESISTANCE)
 INSULATION RESISTANCE:
 a. UNMATED: 100M OHMS MIN AT 500 VDC
 b. MATED: 10M OHMS MIN AT 150 VDC
 DIELECTRIC WITHSTANDING VOLTAGE:
 500V AC/1MINUTE
 OPERATING TEMPERATURE: -20°C--+85°C
 STORAGE TEMPERATURE: -20°C--+65°C

NO.	NAME	PART NO.	MATERIAL	PLATING/COLOR	NOTE
01	MOLDING	B111922-Y-XX-A	High Temperature Plastic	BLACK	1
02	SHELL	K111928-H-0N-A	Copper Alloy	SOLDERABLE NI.	1
		K111928-G-0N-A	Copper Alloy		
		K111928-F-0N-A	Carbon Steel		
		K111928-E-0N-A	High Carbon Steel		
03	TERMINAL	T111922-A-XX-A	Copper Alloy	SEE PART NO. MATTE TIN PLATED ON SOLDER TAILS. NICKEL UNDER PLATED OVER ALL.	1SET

UNITS:	SCALE:	DWG NO:	CUSTOMER DRAWING	REV: B
mm	NONE	A111928-E(F,G,H)-XX-X	C-A111928-E(F,G,H)-XX-X	SHEET: 10/1



THE PART MEETS TECONN "GP01" COMPLIANCE

X-ON Electronics

Largest Supplier of Electrical and Electronic Components

Click to view similar products for [HDMI, Displayport & DVI Connectors](#) category:

Click to view products by [TECONN](#) manufacturer:

Other Similar products are found below :

[1775247-3](#) [2-1932649-5](#) [30-1231](#) [30-528](#) [2069485-1](#) [30-504](#) [30-519](#) [30-542](#) [47648-2000](#) [2002-400](#) [TC142X](#) [1453G1](#) [769-103/021-000](#)
[1932649-1](#) [233-368NFG6-17NH](#) [G45A19071083HR](#) [233-360NF00-17NH](#) [CP30200GM3B](#) [HYC02-DVI29-371](#) [P136-06NHDV4KBP](#)
[CP30116](#) [LTWDID-29PFFS-SL8001](#) [46765-1301](#) [1211-0010-201-001](#) [47271-1004](#) [32-1121-BU](#) [DS1117-BN0-TME-002](#) [MHDR2A11004BP](#)
[EHHDMI2PKG](#) [1903015-3](#) [DS1114-BN0](#) [WPUSBAF](#) [500254-1931](#) [HDMR-19-01-F-SM](#) [47151-1071](#) [1747981-1](#) [0480372000](#) [0482580001](#)
[D121073-19](#) [472710111](#) [HDMI-S-RA6-SMT-MF-15](#) [P142-000-UP](#) [P134-003](#) [P120-08N](#) [KDMIX-FS1V-WS-B](#) [P142-000-UD](#) [10029449-](#)
[101RLF](#) [P132-000](#) [P130-000](#) [P142-06N-MICRO](#)