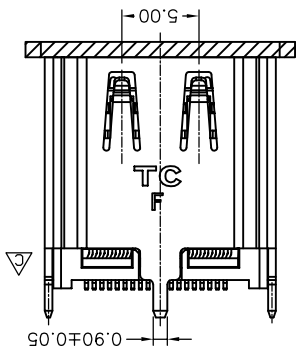
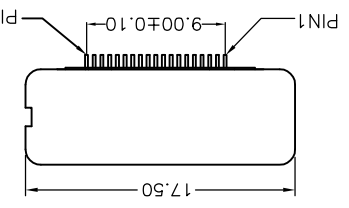
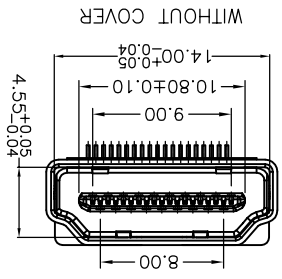
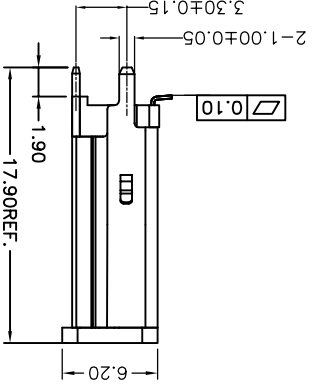
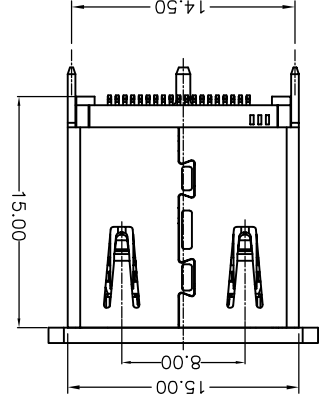
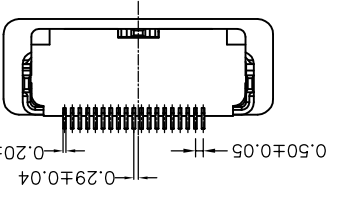
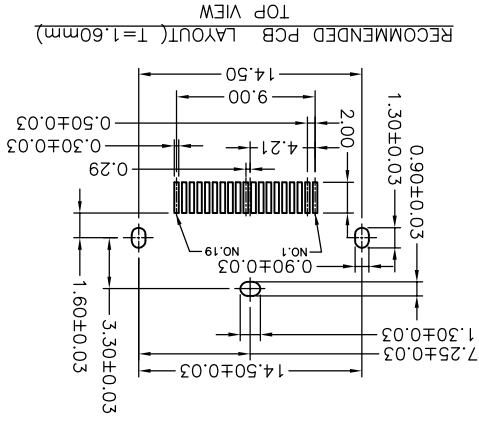
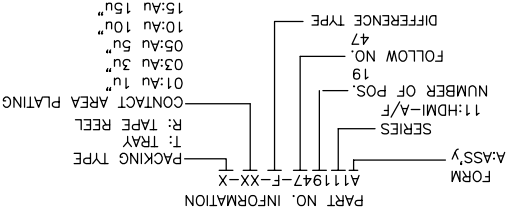


REV	ECN NO	DESCRIPTION	DESIGN	DATE
A	TE2010-0628	NEW RELEASE		2011/11/08
B	TE2011-0376	修正料号		2011/07/21
C	TE2018-0094	更新视图	Cola	2018/08/17



APPR:	CHKD:	DR:	SCALE:	DWG NO:	CUSTOMER DRAWING	REV: C
X. ± 0.35	X. ± 0.25	Henry Sun	1:1	A111947-F-XX-X	C-A111947-F-XX-X	SHEET:10/11
.XXX±	X. ± 0.15	Lebon Lee				
X. ± 2°		Cola Lee				

Item	Title	Material	Dispose	Remark
1	Terminal	Copper Alloy	Solder Tails:Sn	t=0.20
2	Molding	LCP	UL94V-0	Black
3	Shell	Copper Alloy	N50u" Min.	t=0.50
4	CAP	LCP	UL94V-0	Black



NOTE:
1. MATERIAL: HOUSING AND BRACKET: HIGH TEMP.THERMOPLASTIC, UL 94V-0
COLOR: BLACK.
CONTACT: COPPER ALLOY, THICKNESS=0.20MM
SHIELD: COPPER ALLOY, THICKNESS=0.50MM
2. FINISH:
CONTACT: GOLD PLATING ON CONTACT AREA SEE NOTE
G/F PLATED ON SOLDER TAILS
50u" MIN. NICKEL UNDER PLATED OVER ALL
SHIELD: 50u" MIN. NICKEL PLATED OVER ALL
3. MECHANICAL CHARACTERISTICS
INSERTION FORCE: 44.1N MAX
EXTRACTION FORCE: 9.8N MIN, 39.2N MAX
MATING CYCLE:10000 CYCLES
4. ELECTRICAL CHARACTERISTICS
RATING CURRENT: 0.5A
RATING VOLTAGE: 40V
CONTACT RESISTANCE: 10 MILLIOHMS MAX
(EXCLUDING CONDUCTOR RESISTANCE)
INSULATION RESISTANCE:
a. UNMATED: 100M OHMS MIN AT 500 VDC
b. MATED: 10M OHMS MIN AT 150 VDC
DIELECTRIC WITHSTANDING VOLTAGE: 300V AC/1MINUTE
OPERATING TEMPERATURE: -20°C---+85°C
STORAGE TEMPERATURE: -20°C---+65°C

THE PART MEETS TECONN "GP001" COMPLIANCE NEW REV.

X-ON Electronics

Largest Supplier of Electrical and Electronic Components

Click to view similar products for [HDMI, Displayport & DVI Connectors](#) category:

Click to view products by [TECONN](#) manufacturer:

Other Similar products are found below :

[1775247-3](#) [2-1932649-5](#) [30-1231](#) [30-528](#) [2069485-1](#) [30-504](#) [30-519](#) [30-542](#) [47648-2000](#) [2002-400](#) [TC142X](#) [1453G1](#) [769-103/021-000](#)
[1932649-1](#) [233-368NFG6-17NH](#) [G45A19071083HR](#) [233-360NF00-17NH](#) [CP30200GM3B](#) [HYC02-DVI29-371](#) [P136-06NHDV4KBP](#)
[CP30116](#) [LTWDID-29PFFS-SL8001](#) [46765-1301](#) [1211-0010-201-001](#) [47271-1004](#) [32-1121-BU](#) [DS1117-BN0-TME-002](#) [MHDR2A11004BP](#)
[EHHDMI2PKG](#) [1903015-3](#) [DS1114-BN0](#) [WPUSBAF](#) [500254-1931](#) [HDMR-19-01-F-SM](#) [47151-1071](#) [1747981-1](#) [0480372000](#) [0482580001](#)
[D121073-19](#) [472710111](#) [HDMI-S-RA6-SMT-MF-15](#) [P142-000-UP](#) [P134-003](#) [P120-08N](#) [KDMIX-FS1V-WS-B](#) [P142-000-UD](#) [10029449-](#)
[101RLF](#) [P132-000](#) [P130-000](#) [P142-06N-MICRO](#)