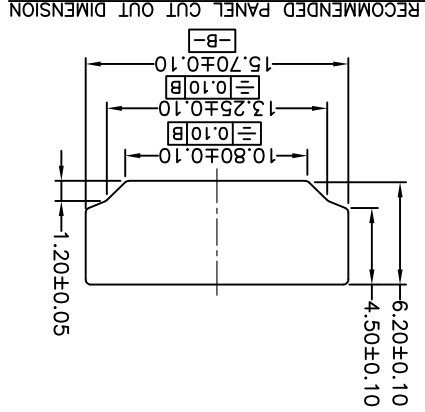
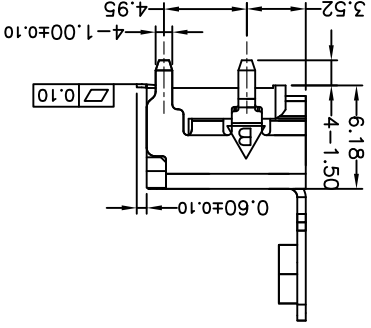
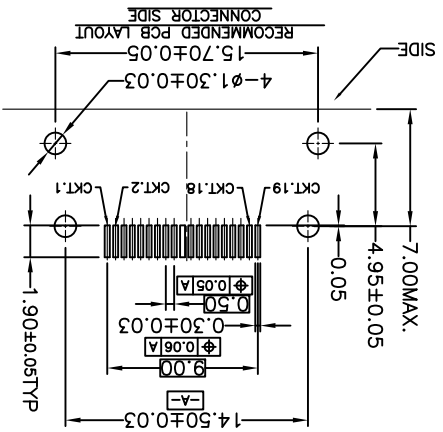
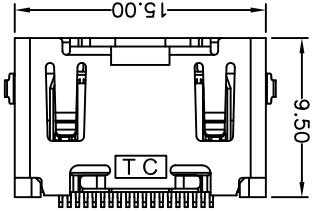
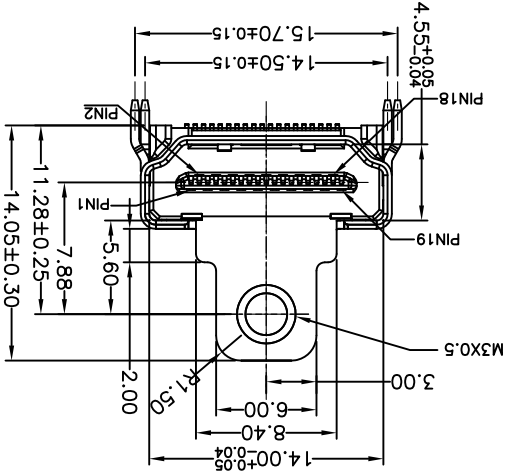
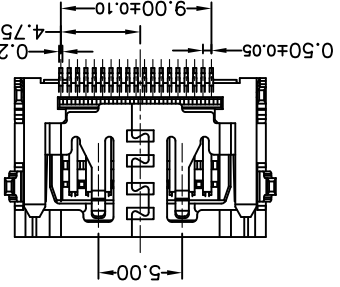


REV	ECN NO	DESCRIPTION	DATE
A	TE2012-0357	初版发行	2012/08/02
B	TE2012-0518	取消侧面薄片	2012/10/30



NO.	NAME	PART NO.	MATERIAL	FINISH/COLOR	QTY
01	MOLDING	B111989-A-XX-A	LCF+30%/F	UL94V-0 BLACK	1
02	SHELL	K111992-D-06-A	SPCC	T=0.50 50μ MIN. NICKEL UNDER PLATED AND GOLD FLASH OVER ALL.	1
		K111992-D-0N-A	C2680	T=0.20 80μ MIN. NICKEL ON SOLDER TAILS. 50μ MIN. NICKEL UNDER PLATED OVER ALL.	1
03	CONTACT	T111989-A-XX-A	C2680	T=0.20 80μ MIN. NICKEL ON SOLDER TAILS. 50μ MIN. NICKEL UNDER PLATED OVER ALL.	1

NOTE:
1.MATERIAL: HOUSING: HIGH TEMP.THERMOPLASTIC, UL 94V-0
COLOR: BLACK
CONTACT: COPPER ALLOY, THICKNESS=0.20MM
SHELL: SEE PART NO., THICKNESS=0.50MM
2.FINISH:
CONTACT: GOLD PLATING ON CONTACT AREA SEE NOTE
80μ MIN. NICKEL UNDER PLATED OVER ALL
50μ MIN. NICKEL OR GOLD PLATED OVER ALL
3.MECHANICAL CHARACTERISTICS
INSERTION FORCE: 44.1N MAX
EXTRACTION FORCE: 9.8N MIN, 39.2N MAX
MATING CYCLE:10000 CYCLES
4.ELECTRICAL CHARACTERISTICS
RATING CURRENT: 0.5A
RATING VOLTAGE: 40V
CONTACT RESISTANCE: 10 MILLOHMS OHMS MAX
(INCLUDING CONDUCTOR RESISTANCE)
INSULATION RESISTANCE:
a. UNMATED: 100M OHMS MIN AT 500 VDC
b. MATED: 10M OHMS MIN AT 150 VDC
DIELECTRIC WITHSTANDING VOLTAGE: 500V AC/1MINUTE
OPERATING TEMPERATURE: -20°C--+85°C
STORAGE TEMPERATURE: -20°C--+65°C
PART NO. INFORMATION:
FORM A: ASSY
SERIES 11: HDMI-A/F
NUMBER OF POS. 19
FOLLOW NO. 92
DIFFERENCE TYPE.
CONTACT AREA PLATING
P: TRAY
R: TAPE REEL
T: TRAY
C: SHELL'S SOLDER DIP IS
1.50mm; AND NICKEL PLATED.
D: SHELL'S SOLDER DIP IS
1.50mm; AND GOLD PLATED.

符合泰康“环境相关物质管理规定GP001”

X-ON Electronics

Largest Supplier of Electrical and Electronic Components

Click to view similar products for [HDMI, Displayport & DVI Connectors](#) category:

Click to view products by [TECONN](#) manufacturer:

Other Similar products are found below :

[1775247-3](#) [2-1932649-5](#) [30-1231](#) [30-528](#) [2069485-1](#) [30-504](#) [30-519](#) [30-542](#) [47648-2000](#) [2002-400](#) [TC142X](#) [1453G1](#) [769-103/021-000](#)
[1932649-1](#) [233-368NFG6-17NH](#) [G45A19071083HR](#) [233-360NF00-17NH](#) [CP30200GM3B](#) [HYC02-DVI29-371](#) [P136-06NHDV4KBP](#)
[CP30116](#) [LTWDID-29PFFS-SL8001](#) [46765-1301](#) [1211-0010-201-001](#) [47271-1004](#) [32-1121-BU](#) [DS1117-BN0-TME-002](#) [MHDR2A11004BP](#)
[EHHDMI2PKG](#) [1903015-3](#) [DS1114-BN0](#) [WPUSBAF](#) [500254-1931](#) [HDMR-19-01-F-SM](#) [47151-1071](#) [1747981-1](#) [0480372000](#) [0482580001](#)
[D121073-19](#) [472710111](#) [HDMI-S-RA6-SMT-MF-15](#) [P142-000-UP](#) [P134-003](#) [P120-08N](#) [KDMIX-FS1V-WS-B](#) [P142-000-UD](#) [10029449-](#)
[101RLF](#) [P132-000](#) [P130-000](#) [P142-06N-MICRO](#)