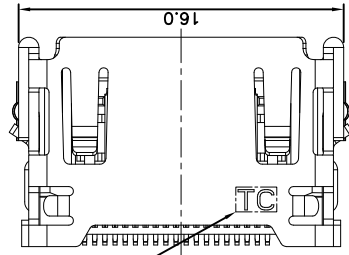
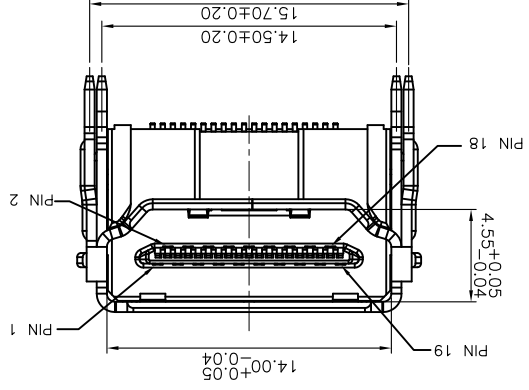
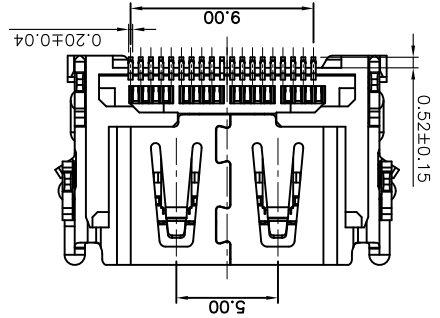
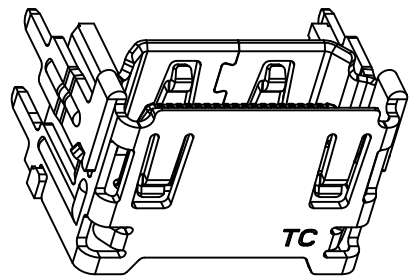
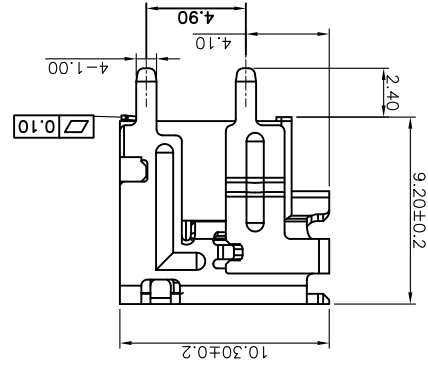


REV	ECD NO	DESCRIPTION	DATE
A	TE2015-0291	New Drawing	2015.11.03

A: SHELL WITH "TC" LOGO  
 B: SHELL WITHOUT LOGO  
 R: tape & Reel  
 T: tray  
 P: Packing Type  
 A111996-X-XX-X  
 Contact area Plating Spec.



LOGO (Optional)



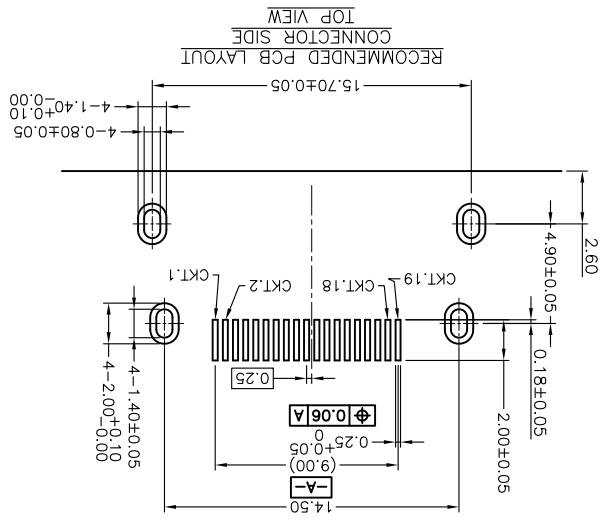
$X \pm 0.35$	APPD:	Henry Sun
$X \pm 0.25$	CHKD:	
$.XX \pm 0.15$		
$.XXX \pm$		
$X \pm 2$	DR:	Jason Su
$X \pm 1.5$		

UNITS:	mm
SCALE:	1:1
DWG NO:	A111996-A(B)-XX-X
PART NO:	A111996-A(B)-XX-X
TITLE:	HDMI-A/F CONN. HEIGHTENING SMT TYPE

REV: A  
 SHEET: 1 OF 1  
**TECONN**  
 泰康电子

Item	Title	Material	Dispose	Remark
1	Terminal	Copper Alloy	Mating Area: See P/N Solder Tail: Sn	$t=0.20$
2	Insert/Molding	LCP	UL94V-0	Black
3	Shell	Copper Alloy	Ni:50u" Min	$t=0.50$

NOTE:  
 1. MATERIAL AND FINISH SEE THE TABLE.  
 2. MECHANICAL CHARACTERISTICS  
 INSERTION FORCE: 44.1N MAX  
 EXTRACTOR FORCE: 9.8N MIN, 39.2N MAX  
 MATING CYCLE: 10000 CYCLES  
 3. ELECTRICAL CHARACTERISTICS  
 RATING CURRENT: 0.5A  
 RATING VOLTAGE: 40V  
 CONTACT RESISTANCE: 10 MILLI OHMS MAX  
 (EXCLUDING CONDUCTOR RESISTANCE)  
 INSULATION RESISTANCE:  
 a, UNMATED: 100M OHMS MIN AT 500 VDC  
 b, MATED: 10M OHMS MIN AT 150 VDC  
 DIELECTRIC WITHSTANDING VOLTAGE:  
 500V AC/1MINUTE  
 OPERATING TEMPERATURE: -20°C---+85°C  
 STORAGE TEMPERATURE: -20°C---+65°C



THE PART MEETS TECONN "GP01" COMPLIANCE

## X-ON Electronics

Largest Supplier of Electrical and Electronic Components

*Click to view similar products for [HDMI, Displayport & DVI Connectors](#) category:*

*Click to view products by [TECONN](#) manufacturer:*

Other Similar products are found below :

[1775247-3](#) [2-1932649-5](#) [30-1231](#) [30-528](#) [2069485-1](#) [30-504](#) [30-519](#) [30-542](#) [47648-2000](#) [2002-400](#) [TC142X](#) [1453G1](#) [769-103/021-000](#)  
[1932649-1](#) [233-368NFG6-17NH](#) [G45A19071083HR](#) [233-360NF00-17NH](#) [CP30200GM3B](#) [HYC02-DVI29-371](#) [P136-06NHDV4KBP](#)  
[CP30116](#) [LTWDID-29PFFS-SL8001](#) [46765-1301](#) [1211-0010-201-001](#) [47271-1004](#) [32-1121-BU](#) [DS1117-BN0-TME-002](#) [MHDR2A11004BP](#)  
[EHHDMI2PKG](#) [1903015-3](#) [DS1114-BN0](#) [WPUSBAF](#) [500254-1931](#) [HDMR-19-01-F-SM](#) [47151-1071](#) [1747981-1](#) [0480372000](#) [0482580001](#)  
[D121073-19](#) [472710111](#) [HDMI-S-RA6-SMT-MF-15](#) [P142-000-UP](#) [P134-003](#) [P120-08N](#) [KDMIX-FS1V-WS-B](#) [P142-000-UD](#) [10029449-](#)  
[101RLF](#) [P132-000](#) [P130-000](#) [P142-06N-MICRO](#)