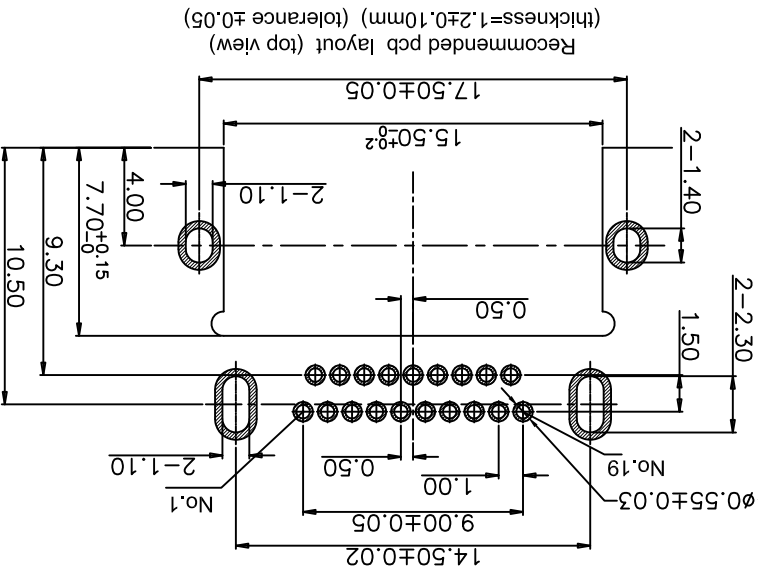
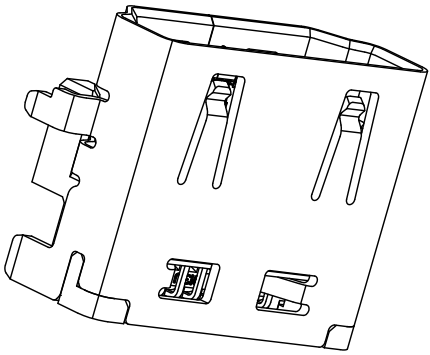
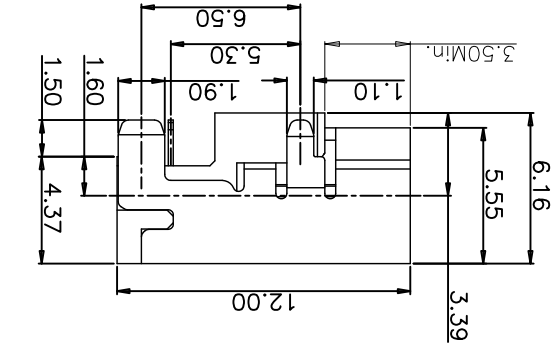
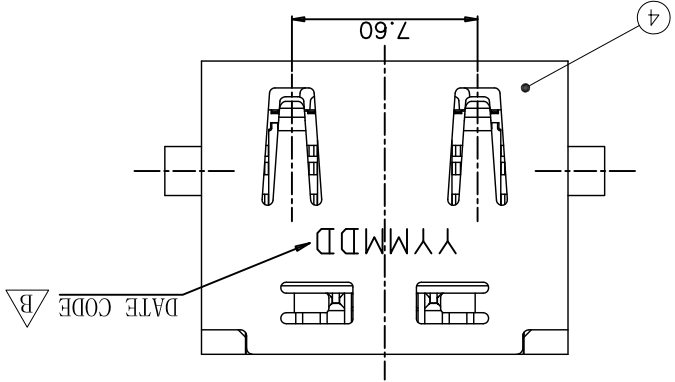
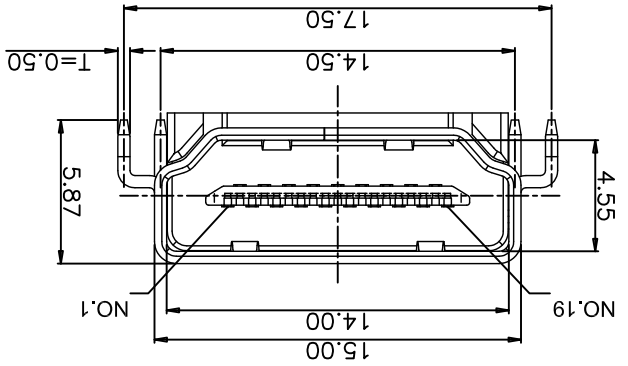
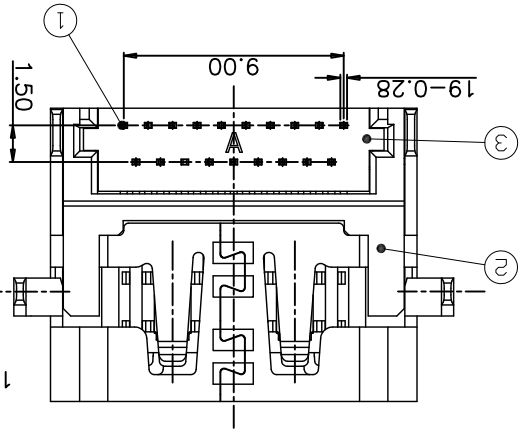


REV	ECN NO	DESCRIPTION	DESIGN	DATE
B	TE2019-0190	Add D/C	Cola Lee	2019/09/10
A	TE2018-0010	New Drawing	Cola Lee	2018/01/25



Recommended pcb layout (top view)
(thickness=1.2±0.10mm) (tolerance ±0.05)

UNITS:	mm
SCALE:	1:1
DWG NO:	C-A1119C3-L-XX-R
CUSTOMER DRAWING	SHEET:10FT
REV:	B

Item	Title	Material	Dispose	Remark
1	Terminal	Copper Alloy	Solder Tails:Sn	t=0.20
2	Housing	LCP	UL94V-0	White
3	Cover	LCP	UL94V-0	White
4	Shell	SPCC	N:50u" Min.	t=0.50

Form: A:ASS'y
series: 11:HDMI-A/F
packing type: R:reel
T:tray
contact area plating: 01:Au 1u", 03:Au 3u", 05:Au 5u", 10:Au 10u", 15:Au 15u", 30:Au 30u"
number of POS:19
follow NO:C3
difference type:L

Note:
1.Mechanical characteristics
insertion force: 44.1N max
withdrawal force: 9.8N min, 39.2N max
mating cycle:10000 cycles
rating current: 0.5A
rating voltage: 40V
contact resistance: 10 milliohms max
(excluding conductor resistance)
insulation resistance:
a, unmated: 100M Ohms min at 500 VDC
b, mated: 10M Ohms min at 150 VDC
dielectric withstanding voltage: 300V AC/1minute
operating teperature: -20°C~+85°C
storage temperature: -20°C~+65°C
3.Product is halogen free

THE PART MEETS TECONN "GP01" COMPLIANCE NEW REV.

10 9 8 7 6 5 4 3 2 1

10 9 8 7 6 5 4 3 2 1

X-ON Electronics

Largest Supplier of Electrical and Electronic Components

Click to view similar products for [HDMI, Displayport & DVI Connectors](#) category:

Click to view products by [TECONN](#) manufacturer:

Other Similar products are found below :

[1775247-3](#) [2-1932649-5](#) [30-1231](#) [30-528](#) [2069485-1](#) [30-504](#) [30-519](#) [30-542](#) [47648-2000](#) [2002-400](#) [TC142X](#) [1453G1](#) [769-103/021-000](#)
[1932649-1](#) [233-368NFG6-17NH](#) [G45A19071083HR](#) [233-360NF00-17NH](#) [CP30200GM3B](#) [HYC02-DVI29-371](#) [P136-06NHDV4KBP](#)
[CP30116](#) [LTWDID-29PFFS-SL8001](#) [46765-1301](#) [1211-0010-201-001](#) [47271-1004](#) [32-1121-BU](#) [DS1117-BN0-TME-002](#) [MHDR2A11004BP](#)
[EHHDMI2PKG](#) [1903015-3](#) [DS1114-BN0](#) [WPUSBAF](#) [500254-1931](#) [HDMR-19-01-F-SM](#) [47151-1071](#) [1747981-1](#) [0480372000](#) [0482580001](#)
[D121073-19](#) [472710111](#) [HDMI-S-RA6-SMT-MF-15](#) [P142-000-UP](#) [P134-003](#) [P120-08N](#) [KDMIX-FS1V-WS-B](#) [P142-000-UD](#) [10029449-](#)
[101RLF](#) [P132-000](#) [P130-000](#) [P142-06N-MICRO](#)