

THE PART MEETS TECONN "GP01" COMPLIANCE NEW REV.

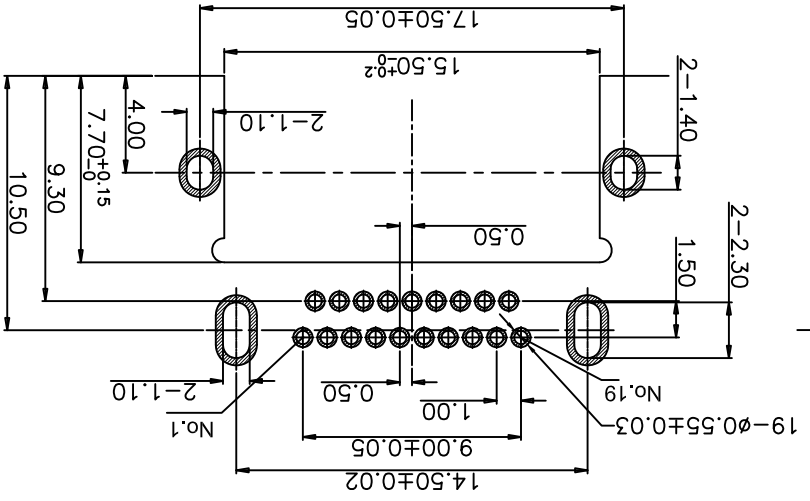
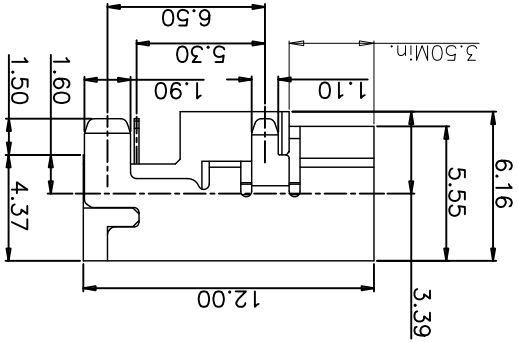
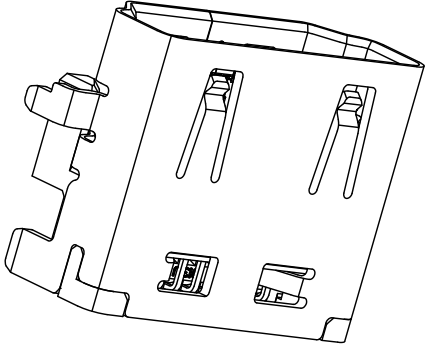
Note:  
 1. Mechanical characteristics  
 insertion force: 4.1N max  
 withdrawal force: 9.8N min, 39.2N max  
 mating cycle: 1000 cycles

2. Electrical characteristics  
 rating current: 0.5A  
 rating voltage: 40V  
 contact resistance: 10 milliohms max  
 (excluding conductor resistance)  
 insulation resistance:

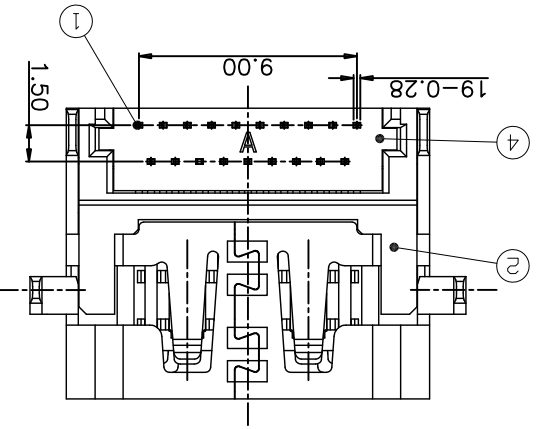
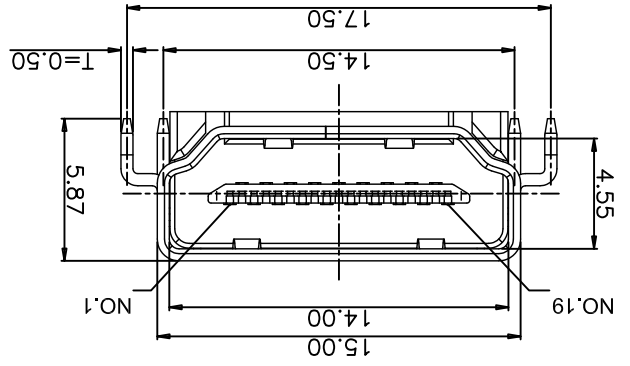
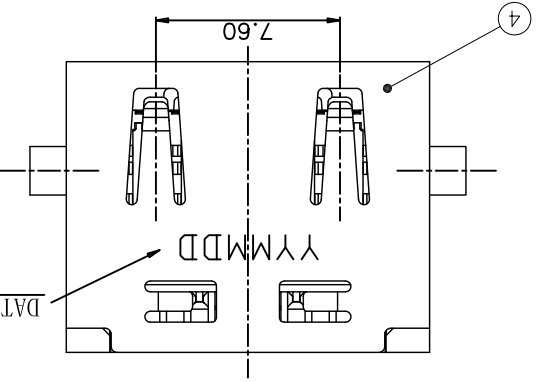
a, unmated: 100M Ohms min at 500 VDC  
 b, mated: 10M Ohms min at 150 VDC  
 dielectric withstanding voltage: 300V AC/1minute  
 operating temperature: -20°C~+85°C  
 storage temperature: -20°C~+65°C  
 3. Product is halogen free

Form: A1119C3-M-XX-R  
 A: ASS'y  
 series: 11:HDMI-A/F  
 contact area plating: 01: Au 1u"  
 03: Au 3u"  
 05: Au 5u"  
 10: Au 10u"  
 15: Au 15u"  
 30: Au 30u"  
 packing type: R: reel  
 T: tray

| Item | Title          | Material     | Disposition      | Remark |
|------|----------------|--------------|------------------|--------|
| 1    | Terminal       | Copper Alloy | Solder Tails: Sn | t=0.20 |
| 2    | Insert/Molding | LCP          | UL94V-0          | Black  |
| 3    | Cover          | Copper Alloy | Ni: 50u" Min.    | t=0.50 |
| 4    | Shell          | Copper Alloy |                  |        |



Recommended pcb layout (top view) (thickness=1.2±0.10mm) (tolerance ±0.05)



| REV | ECN NO      | DESCRIPTION | DESIGN | DATE       |
|-----|-------------|-------------|--------|------------|
| A   | TE2019-0026 | New Drawing | Cola   | 2019/03/01 |

|             |           |            |  |
|-------------|-----------|------------|--|
| APPR:       | Lebon Lee | CHKD:      |  |
| X: ± 0.35   |           | .XX ± 0.25 |  |
| .XXX ± 0.15 |           | .XX ± 0.20 |  |
| X' ± 2'     |           | X' ± 1.5'  |  |

|          |                  |
|----------|------------------|
| UNITS:   | mm               |
| SCALE:   | 1:1              |
| PART NO: | A1119C3-M-XX-R   |
| DWG NO:  | CUSTOMER DRAWING |

REV: A  
 SHEET: 1 OF 1  
**TECONN**  
 泰康电子

10 9 8 7 6 5 4 3 2 1

10 9 8 7 6 5 4 3 2 1

F

E

D

C

B

A

F

E

D

C

B

A

## X-ON Electronics

Largest Supplier of Electrical and Electronic Components

*Click to view similar products for [HDMI, Displayport & DVI Connectors](#) category:*

*Click to view products by [TECONN](#) manufacturer:*

Other Similar products are found below :

[1775247-3](#) [2-1932649-5](#) [30-1231](#) [30-528](#) [2069485-1](#) [30-504](#) [30-519](#) [30-542](#) [47648-2000](#) [2002-400](#) [TC142X](#) [1453G1](#) [769-103/021-000](#)  
[1932649-1](#) [233-368NFG6-17NH](#) [G45A19071083HR](#) [233-360NF00-17NH](#) [CP30200GM3B](#) [HYC02-DVI29-371](#) [P136-06NHDV4KBP](#)  
[CP30116](#) [LTWDID-29PFFS-SL8001](#) [46765-1301](#) [1211-0010-201-001](#) [47271-1004](#) [32-1121-BU](#) [DS1117-BN0-TME-002](#) [MHDR2A11004BP](#)  
[EHHDMI2PKG](#) [1903015-3](#) [DS1114-BN0](#) [WPUSBAF](#) [500254-1931](#) [HDMR-19-01-F-SM](#) [47151-1071](#) [1747981-1](#) [0480372000](#) [0482580001](#)  
[D121073-19](#) [472710111](#) [HDMI-S-RA6-SMT-MF-15](#) [P142-000-UP](#) [P134-003](#) [P120-08N](#) [KDMIX-FS1V-WS-B](#) [P142-000-UD](#) [10029449-](#)  
[101RLF](#) [P132-000](#) [P130-000](#) [P142-06N-MICRO](#)