

REV	ECN NO	DESCRIPTION	DATE
C	TE2016-0231	Updating Drawing	2016/11/24
B	TE2012-0351	Updating Drawing	2012/07/31
A	TE2012-0023	New Drawing	2012/02/06

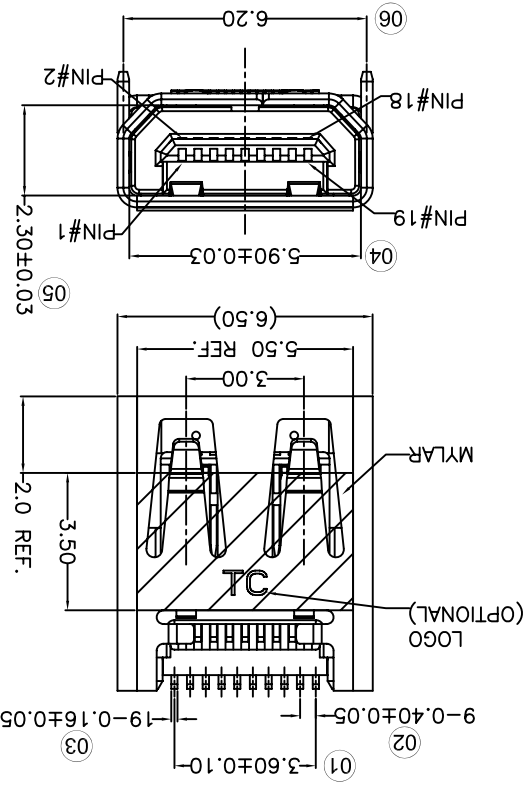
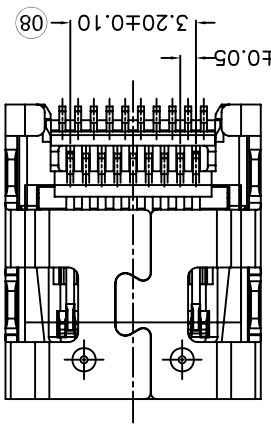
SHELL LOGO TYPE:  
 A: "TC" LOGO  
 B: WITHOUT LOGO

Terminal Contact Area Plating:  
 01: Au 1u"  
 05: Au 5u"  
 10: Au 10u"  
 15: Au 15u"  
 30: Au 30u"

APPD:	Henry Sun	CHKD:	Lina kui
TITLE:	HDMI TYPE D RECEPTACLE	PART NO.:	A151902-A(B)-XX-R
DWG NO.:	C-A151902-A(B)-XX-R	SCALE:	5:1
UNITS:	mm	DR:	Lina kui
TERMS:		XXX#:	
		X ± 0.35	
		X ± 0.25	
		.XX ± 0.15	
		X ± 2°	
		X ± 1.5°	

ITEM	TITLE	MATERIAL	DESCRIPTION	REMARK
1	9PIN TERMINAL	COPPER ALLOY C5210	CONTACT AREA:AU(SEE P/N); SOLDER AREA:AU 1U" MIN. T=0.12	
2	10PIN TERMINAL			
3	9PIN INSERTMOLD	LCP	UL94V-0	BLACK
4	10PIN INSERTMOLD			
5	SHELL	STAINLESS STEEL SUS304	PLATING:HALF-BRIGHT TIN T=0.30	
6	MYLAR		TRANSLUCENCY	1PC

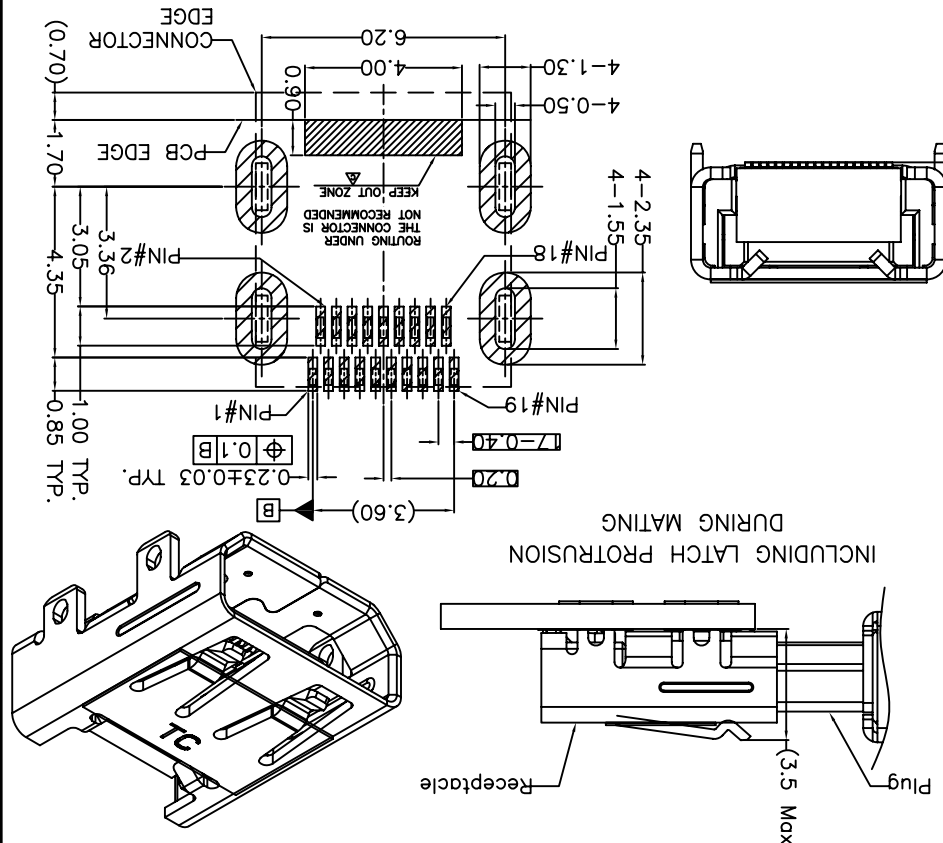
- NOTE:
1. CONTACT CURRENT RATING: 0.3 AMPERES.
  2. VOLTAGE: 40 VAC MAXIMUM.
  3. DIELECTRIC WITHSTANDING VOLTAGE:
  4. CONTACT RESISTANCE: 10 MILLIOHMS MAXIMUM.
  5. INSULATION RESISTANCE: 100 MEGOHMS MINIMUM.
  6. OPERATING TEMPERATURE: -25°C~80°C.
  7. INSERTION FORCE: 44.1N MAXIMUM.
  8. WITHDRAWAL FORCE: 5~25N. AFTER 5,000 CYCLES MATING 3~25N.



CONNECTION	SIGNALS
FIRST MAKE	CONNECTOR SHELL
SECOND MAKE	PINS 1-18
THIRD MAKE	PIN19(+5V POWER)

PIN	SIGNAL ASSIGNMENT
1	HOT PLUG DETECT
3	TMDS DATA2+
5	TMDS DATA2-
7	TMDS DATA1 SHIELD
9	TMDS DATA0+
11	TMDS DATA0-
13	TMDS CLOCK SHIELD
15	CEC
17	SCL
19	+5V Power

PIN	SIGNAL ASSIGNMENT
2	UTILITY
4	TMDS DATA2 SHIELD
6	TMDS DATA1+
8	TMDS DATA1-
10	TMDS DATA0 SHIELD
12	TMDS CLOCK+
14	TMDS CLOCK-
16	DDC/CEC GROUND
18	SDA



THE PART MEETS TECONN "GP001" COMPLIANCE

10 9 8 7 6 5 4 3 2 1

F E D C B A

REV: C SHEET:10/11 CUSTOMER DRAWING

TECONN 泰康电子

## X-ON Electronics

Largest Supplier of Electrical and Electronic Components

*Click to view similar products for [HDMI, Displayport & DVI Connectors](#) category:*

*Click to view products by [TECONN](#) manufacturer:*

Other Similar products are found below :

[1775247-3](#) [2-1932649-5](#) [30-1231](#) [30-528](#) [2069485-1](#) [30-504](#) [30-519](#) [30-542](#) [47648-2000](#) [2002-400](#) [TC142X](#) [1453G1](#) [769-103/021-000](#)  
[1932649-1](#) [233-368NFG6-17NH](#) [G45A19071083HR](#) [233-360NF00-17NH](#) [CP30200GM3B](#) [HYC02-DVI29-371](#) [P136-06NHDV4KBP](#)  
[CP30116](#) [LTWDID-29PFFS-SL8001](#) [46765-1301](#) [1211-0010-201-001](#) [47271-1004](#) [32-1121-BU](#) [DS1117-BN0-TME-002](#) [MHDR2A11004BP](#)  
[EHHDMI2PKG](#) [1903015-3](#) [DS1114-BN0](#) [WPUSBAF](#) [500254-1931](#) [HDMR-19-01-F-SM](#) [47151-1071](#) [1747981-1](#) [0480372000](#) [0482580001](#)  
[D121073-19](#) [472710111](#) [HDMI-S-RA6-SMT-MF-15](#) [P142-000-UP](#) [P134-003](#) [P120-08N](#) [KDMIX-FS1V-WS-B](#) [P142-000-UD](#) [10029449-](#)  
[101RLF](#) [P132-000](#) [P130-000](#) [P142-06N-MICRO](#)