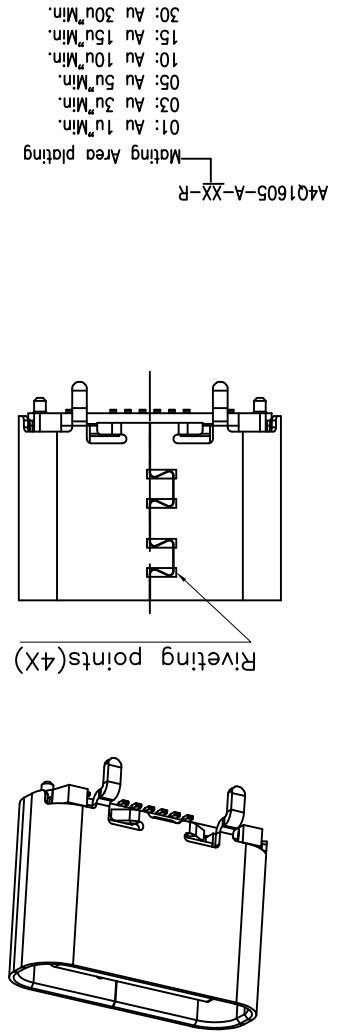
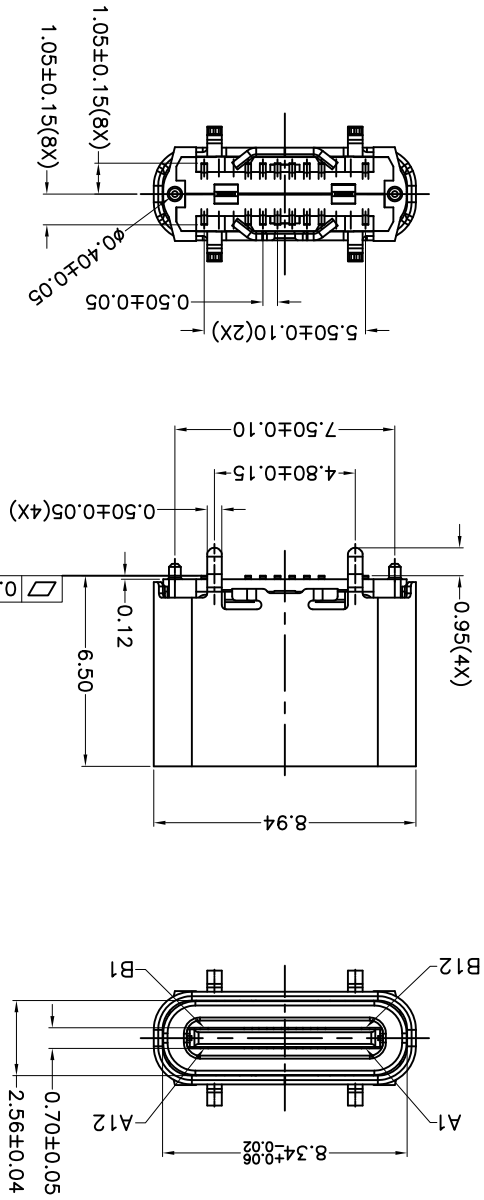


REV	ECH NO	DESCRIPTION	DESIGN	DATE
X3	TE2020-XXXX	Change from C1814 to 18150	Mike	2020/03/05
X2	TE2020-XXXX	Change from Matt Tin to GF	Mike	2020/02/25
X1	TE2019-XXXX	New Drawing	Mike	2019/11/27

Item	Title	Material	Dispose	Remark
1	Shell	Stainless Steel	N:30u" Min.	
2	Mid Plate	Stainless Steel	Clear Only	
3	Top Contact	Copper Alloy	Mating Area: See P/N Solder tails: GF	
4	Bottom Contact	Copper Alloy		
5	Insulator	High Temperature Plastic	UL 94V-0	Black



UNITS:	SCALE:	DWG NO:	CUSTOMER DRAWING	REV: X3
mm	4:1	C-44Q1605-A-XX-R		
DR:	Mike	A4Q1605-A-XX-R		
CHKD:	Lebon Lee	EMI SPRING,H.6.5		
APPD:		USB C F 16PIN		
		VERTICAL W/O		
		TECONN		

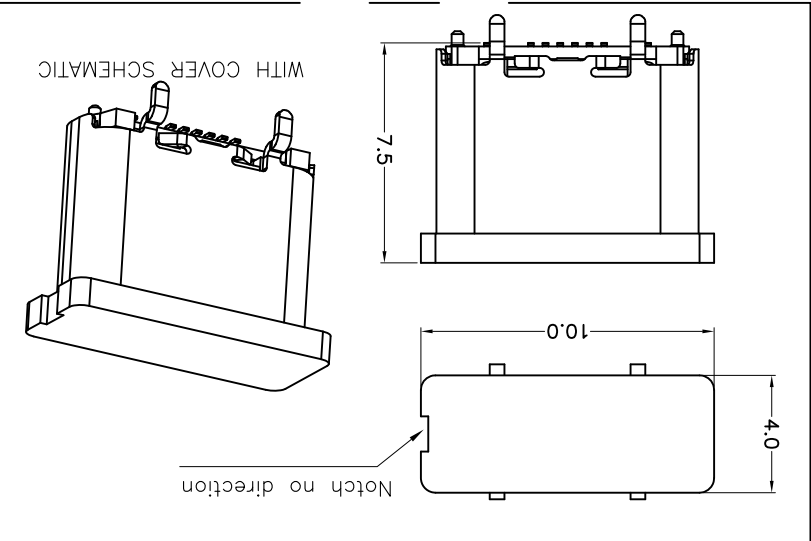
NOTE:

1. MATERIAL SPECIFICATION:
 - 1-1. HOUSING: HIGH TEMPERATURE RESISTANT PLASTIC(LCP), UL94 V-0. COLOR: BLACK.
 - 1-2. CONTACTS: COPPER ALLOY(C18150) T=0.12mm
 - 1-3. MID PLATE: STAINLESS STEEL(SUS301) T=0.15mm
 - 1-4. SHELL: STAINLESS STEEL(SUS304) T=0.30mm
2. PLATING SPECIFICATION:
 - 2-1. CONTACTS: NI 50u" MIN. UNDER PLATED OVER ALL.
 - 2-2. SHELL: GOLD FLASH PLATING THICKNESS IS NOT REQUIRED.
 - 2-3. MID PLATE: NI 30u" MIN. UNDER PLATED OVER ALL.
 - 2-4. CLEAR ONLY
3. MECHANICAL PERFORMANCE,
 - 3-1. INSERTION FORCE: 0.5~2.0kgf.
 - 3-2. EXTRACTION FORCE: 0.8kgf~2.0kgf.
 - 3-3. DURABILITY: 10000 CYCLES.
 - 3-4. ELECTRICAL PERFORMANCE,
 - 4-1. CURRENT RATING: 5.0A
 - 4-2. VOLTAGE RATING: 5.0V
 - 4-3. LCR: VBUS & GND PINS AND OTHER PINS: 40mΩ/PIN MAX.
 - 4-4. SHIELD: 50mΩ/MAX.
 - 4-5. LCR MAX. CHANGE OF ALL PINS: 10mΩ.
 - 4-6. INSULATION RESISTANCE: 100MΩ MIN.
 - 4-7. DIELECTRIC WITHSTAND VOLTAGE: AC 100V FOR 1 MINUTE.
 5. ENVIRONMENTAL PERFORMANCE:
 - 5-1. OPERATING TEMPERATURE: -25°C~+85°C.
 - 5-2. IR REFLOW:
 - 5-3. THE PEAK TEMPERATURE ON THE BOARD SHALL BE MAINTAINED FOR 10 SECONDS AT 260°C.
 - 5-4. ROHS and HF COMPLIANT.

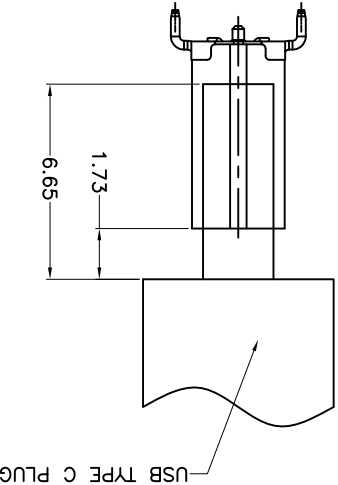
THE PART MEETS TECONN "GP01" COMPLIANCE NEW REV.

REV	ECN NO	DESCRIPTION	DESIGN	DATE
X3	TE2020-XXXX	Change from C1814 to 18150	Mike	2020/03/05
X2	TE2020-XXXX	Change from Matt Tin to GF	Mike	2020/02/25
X1	TE2019-XXXX	New Drawing	Mike	2019/11/27

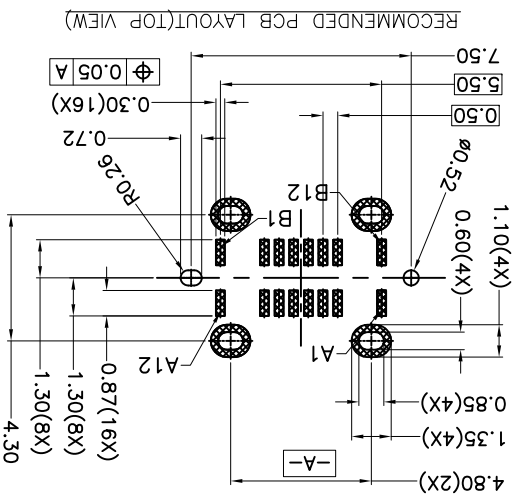
UNITS: mm	SCALE: 4:1	DWG NO: C-44Q1605-A-XX-R	REV: X3
DR: Mike	PART NO: A4Q1605-A-XX-R	CUSTOMER DRAWING	SHEET: 20F2
CHKD: Lebon Lee	APPD: Lebon Lee	TITLE: USB C F 16PIN VERTICAL W/O EMI SPRING,H6.5	TECONN 聚威电子
X. ± 0.35	.X ± 0.25	.XX ± 0.15	.XXX ±
X' ± 2'	X' ± 1.5'		



FEMALE AND MALE MATCHING DRAWING



RECOMMENDED PCB LAYOUT(TOP VIEW)



USB TYPE-C PIN ASSIGNMENTS

PIN NUMBER	SIGNAL NAME	PIN NUMBER	SIGNAL NAME
A1	GND	A12	GND
A4	Vbus	A9	Vbus
A5	CC1	A8	SBU1
A6	DP1	A7	DN1
A8	Vbus	A6	DP1
B1	GND	A5	CC1
B4	Vbus	A4	Vbus
B5	CC2	A3	GND
B6	DP2	A2	GND
B7	DN2	A1	GND
B8	SBU2	A1	GND
B9	Vbus	A1	GND
B12	GND	A1	GND

THE PART MEETS TECONN "GP01" COMPLIANCE NEW REV.

X-ON Electronics

Largest Supplier of Electrical and Electronic Components

Click to view similar products for [USB Connectors](#) category:

Click to view products by [TECONN](#) manufacturer:

Other Similar products are found below :

[10033527-N3112MLF](#) [17-210561](#) [GMCB05B11124H1EU](#) [17-200931](#) [65-647-8-BK-BU](#) [690-010-295-484](#) [73725-1191BLF](#) [950](#) [E8144-B01021-L](#) [A-USB A-LP-SMT-C](#) [A-USB B-TOP-C](#) [MUSBA511N5](#) [MUSBB15131](#) [MUSBC111M5](#) [MUSBD11135](#) [217450-1](#) [CA 6 W LD](#)
[896-30-004-00-000000](#) [KUSBVX-BS1N-W30](#) [KUSBX-AP-KIT-SCBLK](#) [KUSBX-AS2N-W](#) [KUSBX-SMT2AP1S-W](#) [KUSBX-SMTAS1NBTR](#) [KUSBX-SMTBS1NBTR](#) [30-498-6](#) [SK-60A-2](#) [17-200261](#) [17-210051](#) [1734082-1](#) [FK-37-32SL](#) [30-1574](#) [30-470](#) [30-489](#) [30-541](#) [30-572-3](#) [30-9503](#) [M9177/2-1](#) [MAB 5 S](#) [MIKROE-1451](#) [33UBBR-04SW11R](#) [USBFTV2PEM2G](#) [USBFTVC6ZN](#) [USBFTVSCCG](#)
[KUSBX-AS2N-W30](#) [KUSBX-SLAS1N-W](#) [KUSBX-SLAS1N-W30](#) [1-1734084-2](#) [E8110-001-01](#) [MUSBC11135](#) [NK-27-32SL](#)