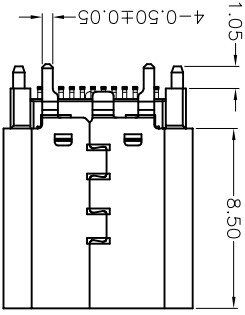
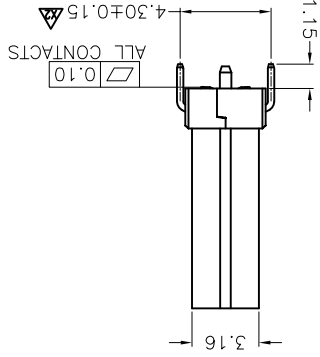
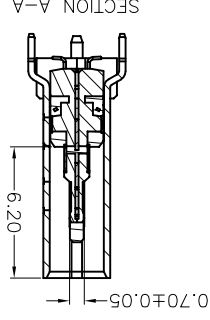
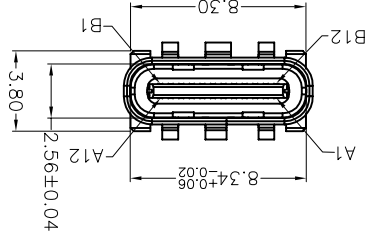
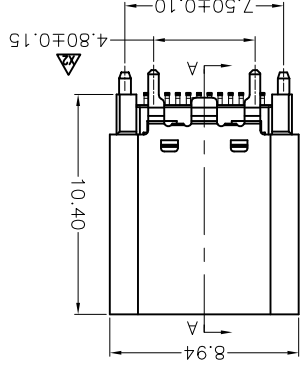
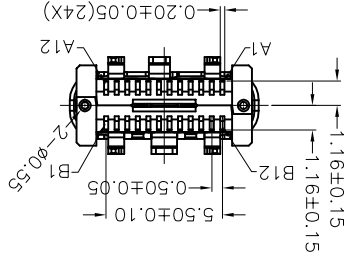


REV	ECON NO	DESCRIPTION	DESIGN	DATE
A	TE2019-XXXX	New Drawing	QUAN	2019/11/07
X2	TE2020-XXXX	Change the tolerance and material	Kevin Han	2020/03/03



01: Au 1u"Min.  
03: Au 3u"Min.  
05: Au 5u"Min.  
10: Au 10u"Min.  
15: Au 15u"Min.  
30: Au 30u"Min.  
Mating Area plating

A4Q2404-A-XX-R

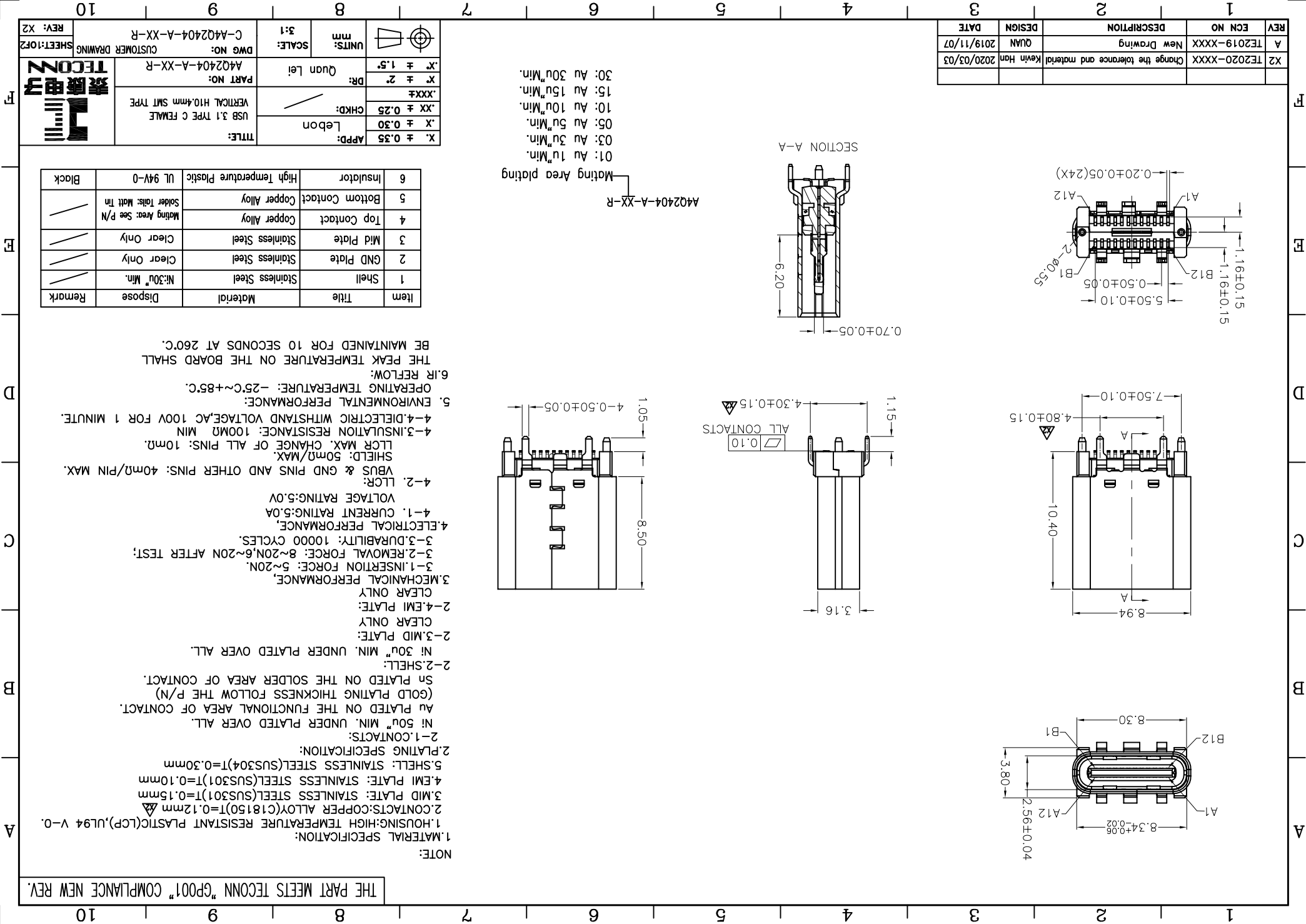
X. ± 0.35	APPD:	Lebon
	CHKD:	
.XX ± 0.25	DR:	Quan Lei
X ± 1.5°	UNITS:	mm
SCALE: 3:1		
DWC NO: C-A4Q2404-A-XX-R		
PART NO: A4Q2404-A-XX-R		
TITLE: USB 3.1 TYPE C FEMALE VERTICAL H10.4mm SMT TYPE		

Item	Title	Material	Dispose	Remark
1	Shell	Stainless Steel	Ni:30u" Min.	
2	GND Plate	Stainless Steel	Clear Only	
3	Mid Plate	Stainless Steel	Clear Only	
4	Top Contact	Copper Alloy	Mating Area: See P/N Solder Tabs: Mdt Th	
5	Bottom Contact	Copper Alloy		
6	Insulator	High Temperature Plastic	UL 94V-0	Black

NOTE:

- MATERIAL SPECIFICATION:
- HOUSING: HIGH TEMPERATURE RESISTANT PLASTIC (LCP), UL94 V-0.
- CONTACTS: COPPER ALLOY (C18150) T=0.12mm
- EMI PLATE: STAINLESS STEEL (SUS301) T=0.15mm
- MID PLATE: STAINLESS STEEL (SUS301) T=0.10mm
- SHELL: STAINLESS STEEL (SUS304) T=0.30mm
- PLATING SPECIFICATION:
- CONTACTS: Ni 50u" MIN. UNDER PLATED OVER ALL.
- SHELL: Ni 30u" MIN. UNDER PLATED OVER ALL.
- MID PLATE: CLEAR ONLY
- EMI PLATE: CLEAR ONLY
- MECHANICAL PERFORMANCE:
- INSERTION FORCE: 5~20N.
- REMOVAL FORCE: 8~20N, 6~20N AFTER TEST;
- DURABILITY: 10000 CYCLES.
- ELECTRICAL PERFORMANCE:
- CURRENT RATING: 5.0A
- VOLTAGE RATING: 5.0V
- LCR: 4-2. LCR: BUS & GND PINS AND OTHER PINS: 40mΩ/PIN MAX. SHIELD: 50mΩ/MAX. LCR MAX. CHANGE OF ALL PINS: 10mΩ.
- INSULATION RESISTANCE: 100MΩ MIN
- DIELECTRIC WITHSTAND VOLTAGE: AC 100V FOR 1 MINUTE.
- ENVIRONMENTAL PERFORMANCE:
- OPERATING TEMPERATURE: -25℃~+85℃.
- REFLOW: 6. I.R. REFLOW: THE PEAK TEMPERATURE ON THE BOARD SHALL BE MAINTAINED FOR 10 SECONDS AT 260℃.

THE PART MEETS TECOMM "GP001" COMPLIANCE NEW REV.



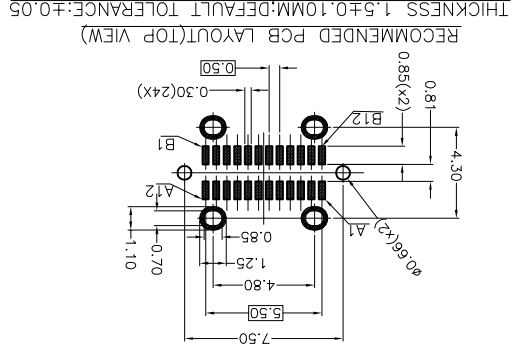
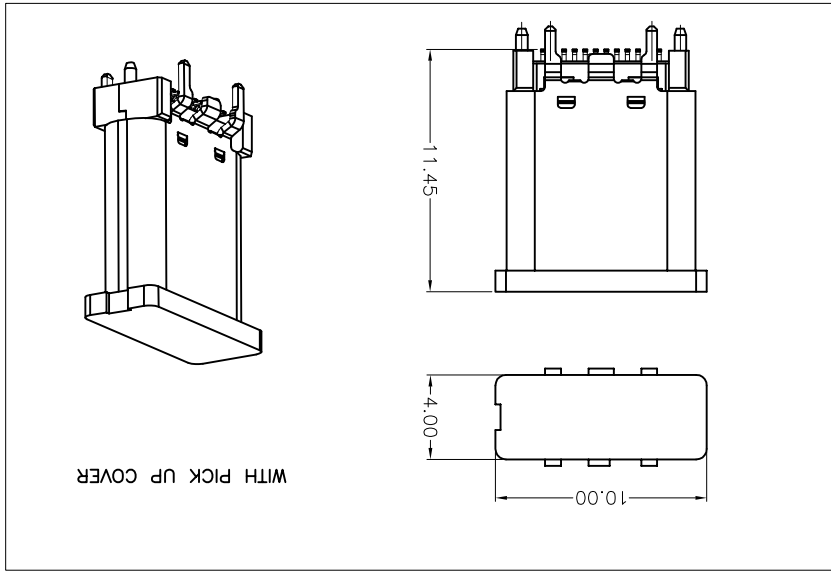
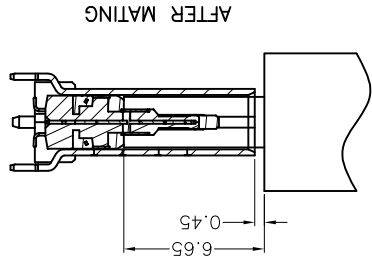
REV	Ecn No	DESCRIPTION	DESIGN	DATE
A	TE2019-XXXX	New Drawing	QUAN	2019/11/07
X2	TE2020-XXXX	Change the tolerance and material	Kevin Han	2020/03/03

UNITS:	mm	SCALE:	3:1	DWG NO:	C-A4Q2404-A-XX-R	CUSTOMER DRAWING	REV: X2
DR:	Quan Lei	PART NO:	A4Q2404-A-XX-R	TITLE:	USB 3.1 TYPE C FEMALE	VERTICAL H10.4mm SMT TYPE	
CHKD:		APPD:	Lebon				
X. ± 0.35		X. ± 0.30					
.XX ± 0.25		.XXX±					
X. ± 1.5°							



PIN NUMBER	SIGNAL NAME	PIN NUMBER	SIGNAL NAME
A1	GND	B12	GND
A2	SSTxp1	B11	SSRxn1
A3	SSTxn1	B10	SSRxn1
A4	Vbus	B9	Vbus
A5	CC1	B8	SBU2
A6	Dp1	B7	Dn2
A7	Dn1	B6	Dp2
A8	SBU1	B5	CC2
A9	Vbus	B4	Vbus
A10	SSRxn2	B3	SSTxn2
A11	SSRxp2	B2	SSTxp2
A12	GND	B1	GND

USB TYPE-C PIN ASSIGNMENTS



THE PART MEETS TECONN "GP001" COMPLIANCE NEW REV.

## X-ON Electronics

Largest Supplier of Electrical and Electronic Components

*Click to view similar products for [USB Connectors](#) category:*

*Click to view products by [TECONN](#) manufacturer:*

Other Similar products are found below :

[10033527-N3112MLF](#) [17-210561](#) [GMCB05B11124H1EU](#) [17-200931](#) [65-647-8-BK-BU](#) [690-010-295-484](#) [73725-1191BLF](#) [950](#) [E8144-B01021-L](#) [A-USB A-LP-SMT-C](#) [A-USB B-TOP-C](#) [MUSBA511N5](#) [MUSBB15131](#) [MUSBC111M5](#) [MUSBD11135](#) [217450-1](#) [CA 6 W LD](#)  
[896-30-004-00-000000](#) [KUSBVX-BS1N-W30](#) [KUSBX-AP-KIT-SCBLK](#) [KUSBX-AS2N-W](#) [KUSBX-SMT2AP1S-W](#) [KUSBX-SMTAS1NBTR](#) [KUSBX-SMTBS1NBTR](#) [30-498-6](#) [SK-60A-2](#) [17-200261](#) [17-210051](#) [1734082-1](#) [FK-37-32SL](#) [30-1574](#) [30-470](#) [30-489](#) [30-541](#) [30-572-3](#) [30-9503](#) [M9177/2-1](#) [MAB 5 S](#) [MIKROE-1451](#) [33UBBR-04SW11R](#) [USBFTV2PEM2G](#) [USBFTVC6ZN](#) [USBFTVSCCG](#)  
[KUSBX-AS2N-W30](#) [KUSBX-SLAS1N-W](#) [KUSBX-SLAS1N-W30](#) [1-1734084-2](#) [E8110-001-01](#) [MUSBC11135](#) [NK-27-32SL](#)