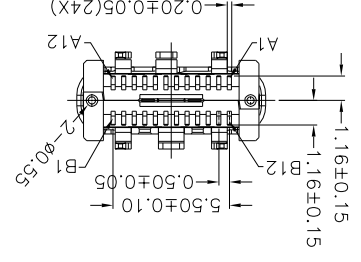
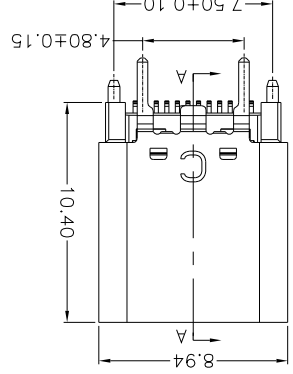
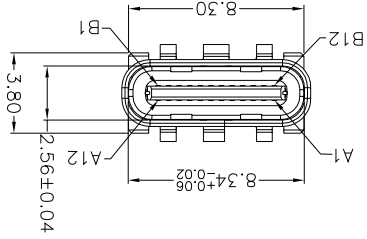
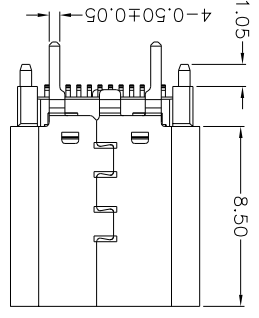
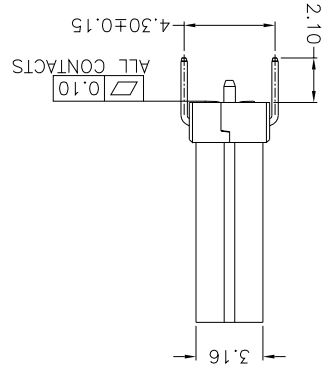
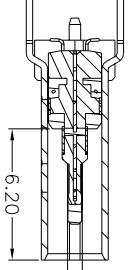


REV	ECN NO	DESCRIPTION	DESIGN	DATE
X2	TE2020-XXXX	Change material	Kevin Han	2020/03/03
A	TE2019-XXXX	New Drawing	QUAN	2019/11/07



SECTION A-A



A4Q2404-C-XX-R  
Mating Area plating  
01: Au 1u"Min.  
03: Au 3u"Min.  
05: Au 5u"Min.  
10: Au 10u"Min.  
15: Au 15u"Min.  
30: Au 30u"Min.

THE PART MEETS TECOON "GPO01" COMPLIANCE NEW REV.

NOTE:

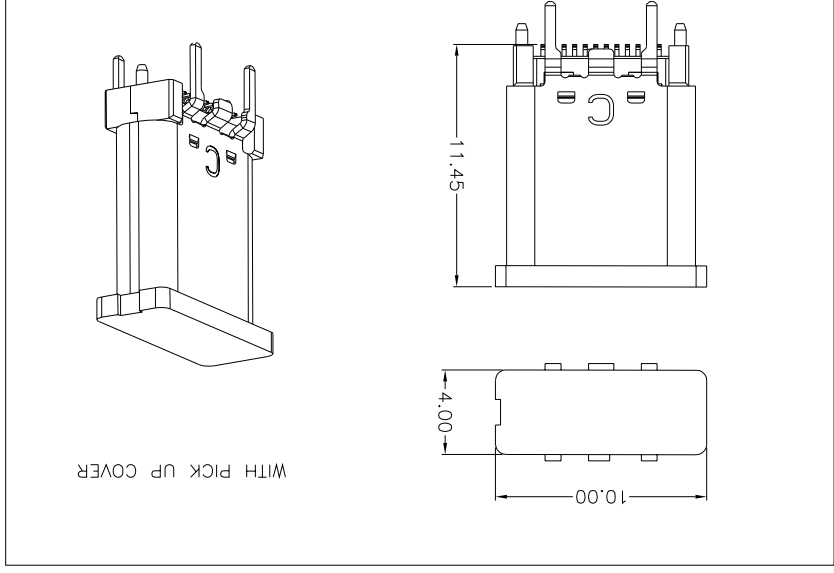
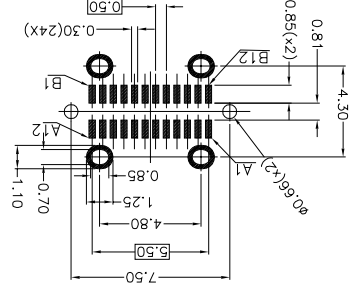
- MATERIAL SPECIFICATION:
- 1.HOUSING:HIGH TEMPERATURE RESISTANT PLASTIC(LCP),UL94 V-0.
- 2.CONTACTS:COPPER ALLOY(C18150)T=0.12mm
- 3.MID PLATE: STAINLESS STEEL(SUS301)T=0.15mm
- 4.EMI PLATE: STAINLESS STEEL(SUS301)T=0.10mm
- 5.SHELL: STAINLESS STEEL(SUS304)T=0.30mm
- 2.PLATING SPECIFICATION:
- 2-1.CONTACTS:
- NI 50u" MIN. UNDER PLATED OVER ALL.
- AU PLATED ON THE FUNCTIONAL AREA OF CONTACT.
- (GOLD PLATING THICKNESS FOLLOW THE P/N)
- Sn PLATED ON THE SOLDER AREA OF CONTACT.
- 2-2.SHELL:
- NI 30u" MIN. UNDER PLATED OVER ALL.
- 2-3.MID PLATE:
- CLEAR ONLY
- 2-4.EMI PLATE:
- CLEAR ONLY
- 3.MECHANICAL PERFORMANCE:
- 3-1.INSERTION FORCE: 5~20N.
- 3-2.REMOVAL FORCE: 8~20N,6~20N AFTER TEST;
- 3-3.DURABILITY: 10000 CYCLES.
- 4.ELECTRICAL PERFORMANCE:
- 4-1. CURRENT RATING:5.0A
- 4-2. LCR:
- VOLTAGE RATING:5.0V
- 4-3.INSULATION RESISTANCE: 100MΩ MIN.
- 4-4.DIELECTRIC WITHSTAND VOLTAGE:AC 100V FOR 1 MINUTE.
5. ENVIRONMENTAL PERFORMANCE:
- OPERATING TEMPERATURE: -25℃~+85℃.
- 6.IR REFLOW:
- THE PEAK TEMPERATURE ON THE BOARD SHALL BE MAINTAINED FOR 10 SECONDS AT 260℃.

Item	Title	Material	Dispose	Remark
1	Shell	Stainless Steel	Ni:30u" Min.	/
2	GND Plate	Stainless Steel	Clear Only	/
3	Mid Plate	Stainless Steel	Clear Only	/
4	Top Contact	Copper Alloy	Mating Area: See P/N Solder Tabs: Matt Tin	/
5	Bottom Contact	Copper Alloy		/
6	Insulator	High Temperature Plastic	UL 94V-0	Black

APD:	Lebon	CHKD:		UNITS:	mm	SCALE:	3:1	DWG NO:	C-A4Q2404-C-XX-R	CUSTOMER DRAWING	REV: X2
X. ± 0.35		.XX ± 0.25		X. ± 1.5				PART NO:	A4Q2404-C-XX-R	TECOON	SHEET:10FZ
.XXX±		DR:	Quan Lei					TITLE:	VERTICAL H10.4mm SMT TYPE USB 3.1 TYPE C FEMALE		

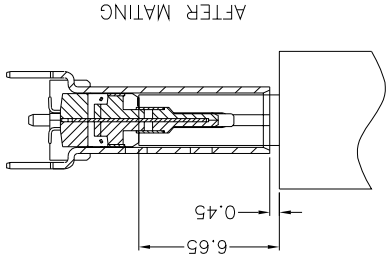
REV	ECN NO	DESCRIPTION	DESIGN	DATE
X2	TE2020-XXXX	Change material	Kevin Han	2020/03/03
A	TE2019-XXXX	New Drawing	QUAN	2019/11/07

RECOMMENDED PCB LAYOUT(TOP VIEW)  
THICKNESS 2.0±0.10MM;DEFAULT TOLERANCE:±0.05



PIN NUMBER	SIGNAL NAME	PIN NUMBER	SIGNAL NAME
A1	GND	B12	GND
A2	SSTxp1	B11	SSRxp1
A3	SSTxn1	B10	SSRxn1
A4	Vbus	B9	Vbus
A5	CC1	B8	SBU2
A6	Dp1	B7	Dn2
A7	Dn1	B6	Dp2
A8	SBU1	B5	CC2
A9	Vbus	B4	Vbus
A10	SSRxn2	B3	SSTxn2
A11	SSRxp2	B2	SSTxp2
A12	GND	B1	GND

USB TYPE-C PIN ASSIGNMENTS



APD: X. ± 0.35	CHKD: Lebon	TITLE: USB 3.1 TYPE C FEMALE VERTICAL H10.4mm SMT TYPE
X. ± 1.5	DR: Quan Lei	PART NO: A4Q2404-C-XX-R
.XX ± 2	SCALE: 3:1	DWG NO: C-A4Q2404-C-XX-R
.XXX ±	UNITS: mm	CUSTOMER DRAWING
.X ± 0.25		REV: X2
.X ± 0.30		SHEET: 20F2

THE PART MEETS TECONN "GP001" COMPLIANCE NEW REV.



## X-ON Electronics

Largest Supplier of Electrical and Electronic Components

*Click to view similar products for [USB Connectors](#) category:*

*Click to view products by [TECONN](#) manufacturer:*

Other Similar products are found below :

[10033527-N3112MLF](#) [17-210561](#) [GMCB05B11124H1EU](#) [17-200931](#) [65-647-8-BK-BU](#) [690-010-295-484](#) [73725-1191BLF](#) [950](#) [E8144-B01021-L](#) [A-USB A-LP-SMT-C](#) [A-USB B-TOP-C](#) [MUSBA511N5](#) [MUSBB15131](#) [MUSBC111M5](#) [MUSBD11135](#) [217450-1](#) [CA 6 W LD](#) [896-30-004-00-000000](#) [KUSBVX-BS1N-W30](#) [KUSBX-AP-KIT-SCBLK](#) [KUSBX-AS2N-W](#) [KUSBX-SMT2AP1S-W](#) [KUSBX-SMTAS1NBTR](#) [KUSBX-SMTBS1NBTR](#) [30-498-6](#) [SK-60A-2](#) [17-200261](#) [17-210051](#) [1734082-1](#) [FK-37-32SL](#) [30-1574](#) [30-470](#) [30-489](#) [30-541](#) [30-572-3](#) [30-9503](#) [M9177/2-1](#) [MAB 5 S](#) [MIKROE-1451](#) [33UBBR-04SW11R](#) [USBFTV2PEM2G](#) [USBFTVC6ZN](#) [USBFTVSCCG](#) [KUSBX-AS2N-W30](#) [KUSBX-SLAS1N-W](#) [KUSBX-SLAS1N-W30](#) [1-1734084-2](#) [E8110-001-01](#) [MUSBC11135](#) [NK-27-32SL](#)