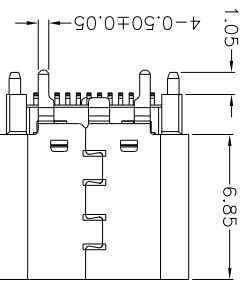
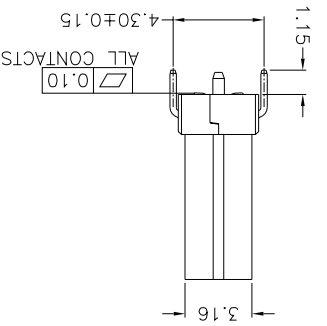
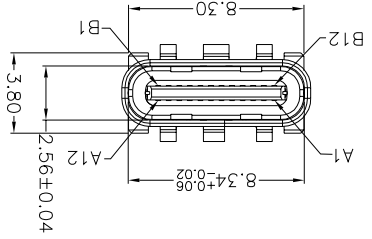
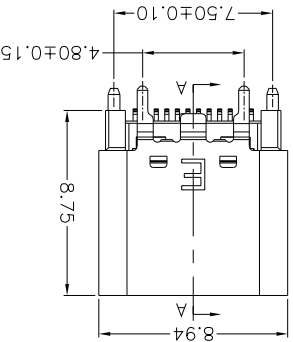
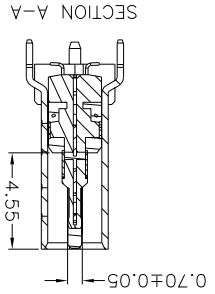
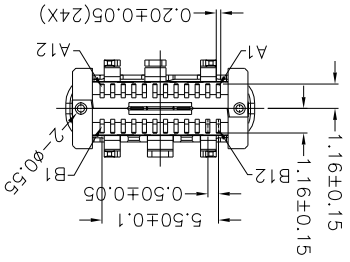


REV	ECN NO	DESCRIPTION	DESIGN	DATE
A	TE2019-XXXX	New Drawing	QUAN	2019/11/07
X2	TE2020-XXXX	Change the tolerance and material	Kevin Han	2020/03/03



Mating Area plating
A4Q2404-E-XX-R
01: Au 1u"Min.
03: Au 30u"Min.
05: Au 5u"Min.
10: Au 10u"Min.
15: Au 15u"Min.
30: Au 30u"Min.

Item	Title	Material	Dispose	Remark
1	Shell	Stainless Steel	Ni:30u" Min.	
2	GND Plate	Stainless Steel	Clear Only	
3	Mid Plate	Stainless Steel	Clear Only	
4	Top Contact	Copper Alloy	Mating Area: See P/N Solder Tabs: Matt Th	
5	Bottom Contact	Copper Alloy		
6	Insulator	High Temperature Plastic	UL 94V-0	Black

NOTE:
1. MATERIAL SPECIFICATION:
1. HOUSING: HIGH TEMPERATURE RESISTANT PLASTIC (LCP), UL94 V-0.
2. CONTACTS: COPPER ALLOY (C18150) T=0.12mm
3. MID PLATE: STAINLESS STEEL (SUS301) T=0.15mm
4. EMI PLATE: STAINLESS STEEL (SUS301) T=0.10mm
5. SHELL: STAINLESS STEEL (SUS304) T=0.30mm
2. PLATING SPECIFICATION:
2-1. CONTACTS:
Ni: 50u" MIN. UNDER PLATED OVER ALL.
Au PLATED ON THE FUNCTIONAL AREA OF CONTACT.
(GOLD PLATING THICKNESS FOLLOW THE P/N)
Sn PLATED ON THE SOLDER AREA OF CONTACT.
2-2. SHELL:
Ni: 30u" MIN. UNDER PLATED OVER ALL.
2-3. MID PLATE:
CLEAR ONLY
2-4. EMI PLATE:
CLEAR ONLY
3. MECHANICAL PERFORMANCE:
3-1. INSERTION FORCE: 5~20N.
3-2. REMOVAL FORCE: 8~20N, 6~20N AFTER TEST;
3-3. DURABILITY: 10000 CYCLES.
4. ELECTRICAL PERFORMANCE:
4-1. CURRENT RATING: 5.0A
4-2. LCR:
VOLTAGE RATING: 5.0V
BUS & GND PINS AND OTHER PINS: 40mΩ/PIN MAX.
SHIELD: 50mΩ/MAX.
LCR MAX. CHANGE OF ALL PINS: 10mΩ.
4-3. INSULATION RESISTANCE: 100MΩ MIN.
4-4. DIELECTRIC WITHSTAND VOLTAGE: AC 100V FOR 1 MINUTE.
5. ENVIRONMENTAL PERFORMANCE:
OPERATING TEMPERATURE: -25°C~+85°C.
6. IR REFLOW:
THE PEAK TEMPERATURE ON THE BOARD SHALL BE MAINTAINED FOR 10 SECONDS AT 260°C.

THE PART MEETS TECONN "GPO01" COMPLIANCE NEW REV.

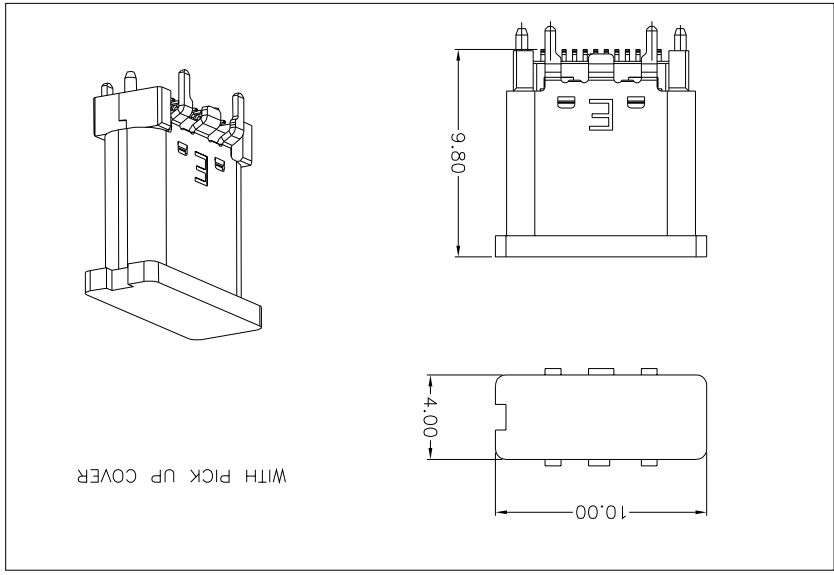
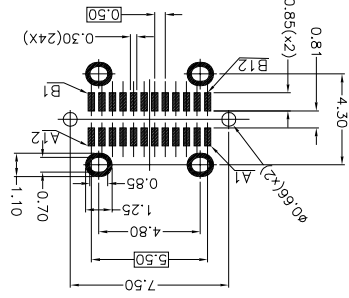
APD:	Lebon	CHKD:	
TITLE:	USB 3.1 TYPE C FEMALE VERTICAL H8.75mm SMT TYPE	DR:	Kevin Han
PART NO:	A4Q2404-E-XX-R	DWG NO:	C-A4Q2404-E-XX-R
UNITS:	mm	SCALE:	3:1
X. ± 0.35			
.X ± 0.30			
.XX ± 0.25			
.XXX ±			
X. ± 2			
X. ± 1.5			



REV: X1
SHEET: 1 OF 2
CUSTOMER DRAWING

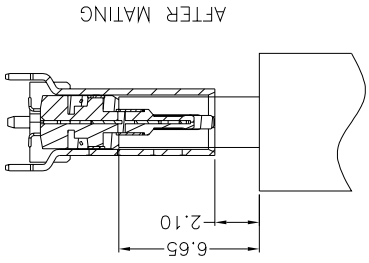
REV	ECN NO	DESCRIPTION	DESIGN	DATE
X1	TE2020-XXXX	New Drawing	Kevin Hon	2020/05/18

RECOMMENDED PCB LAYOUT(TOP VIEW)
 THICKNESS 1.5±0.10MM;DEFAULT TOLERANCE:±0.05



PIN NUMBER	SIGNAL NAME	PIN NUMBER	SIGNAL NAME
A1	GND	B12	GND
A2	SSTxp1	B11	SSRxn1
A3	SSTxn1	B10	SSRxn1
A4	Vbus	B9	Vbus
A5	CC1	B8	SBU2
A6	Dp1	B7	Dn2
A7	Dn1	B6	Dp2
A8	SBU1	B5	CC2
A9	Vbus	B4	Vbus
A10	SSRxn2	B3	SSTxn2
A11	SSRxp2	B2	SSTxp2
A12	GND	B1	GND

USB TYPE-C PIN ASSIGNMENTS



APD:	Lebon	CHKD:	
X. ± 0.35		X. ± 0.25	
.XX ± 0.25		.XXX±	
X. ± 2°	DR: Kevin Hon	UNITS:	mm
		SCALE:	3:1
		DWG NO:	C-A4Q2404-E-XX-R
		PART NO:	A4Q2404-E-XX-R
		TITLE:	USB 3.1 TYPE C FEMALE VERTICAL H8.75mm SMT TYPE

TECONN
 德康电子
 SHEET:20FZ
 REV: X1
 CUSTOMER DRAWING

THE PART MEETS TECONN "GP001" COMPLIANCE NEW REV.

X-ON Electronics

Largest Supplier of Electrical and Electronic Components

Click to view similar products for [USB Connectors](#) category:

Click to view products by [TECONN](#) manufacturer:

Other Similar products are found below :

[10033527-N3112MLF](#) [17-210561](#) [GMCB05B11124H1EU](#) [17-200931](#) [65-647-8-BK-BU](#) [690-010-295-484](#) [73725-1191BLF](#) [950](#) [E8144-B01021-L](#) [A-USB A-LP-SMT-C](#) [A-USB B-TOP-C](#) [MUSBA511N5](#) [MUSBB15131](#) [MUSBC111M5](#) [MUSBD11135](#) [217450-1](#) [CA 6 W LD](#)
[896-30-004-00-000000](#) [KUSBVX-BS1N-W30](#) [KUSBX-AP-KIT-SCBLK](#) [KUSBX-AS2N-W](#) [KUSBX-SMT2AP1S-W](#) [KUSBX-SMTAS1NBTR](#) [KUSBX-SMTBS1NBTR](#) [30-498-6](#) [SK-60A-2](#) [17-200261](#) [17-210051](#) [1734082-1](#) [FK-37-32SL](#) [30-1574](#) [30-470](#) [30-489](#) [30-541](#) [30-572-3](#) [30-9503](#) [M9177/2-1](#) [MAB 5 S](#) [MIKROE-1451](#) [33UBBR-04SW11R](#) [USBFTV2PEM2G](#) [USBFTVC6ZN](#) [USBFTVSCCG](#)
[KUSBX-AS2N-W30](#) [KUSBX-SLAS1N-W](#) [KUSBX-SLAS1N-W30](#) [1-1734084-2](#) [E8110-001-01](#) [MUSBC11135](#) [NK-27-32SL](#)