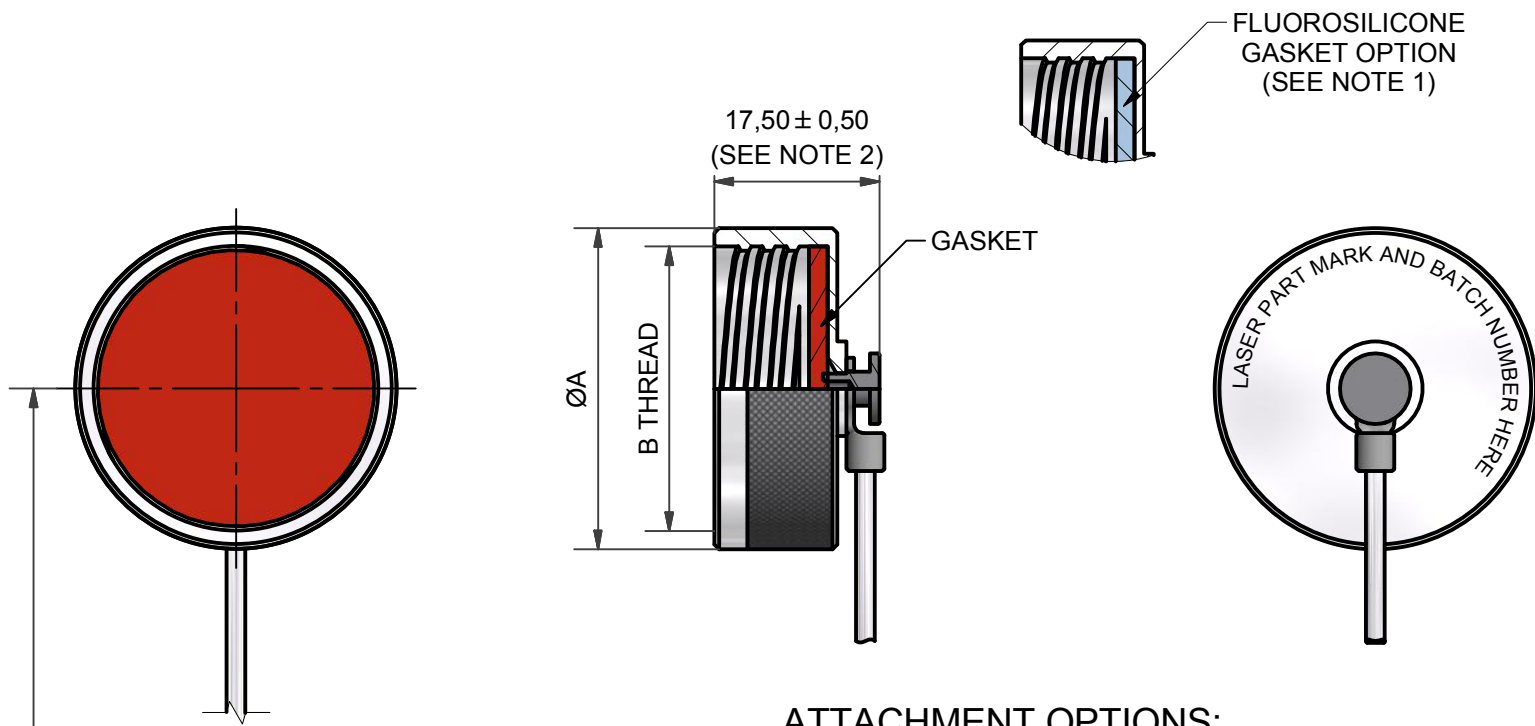
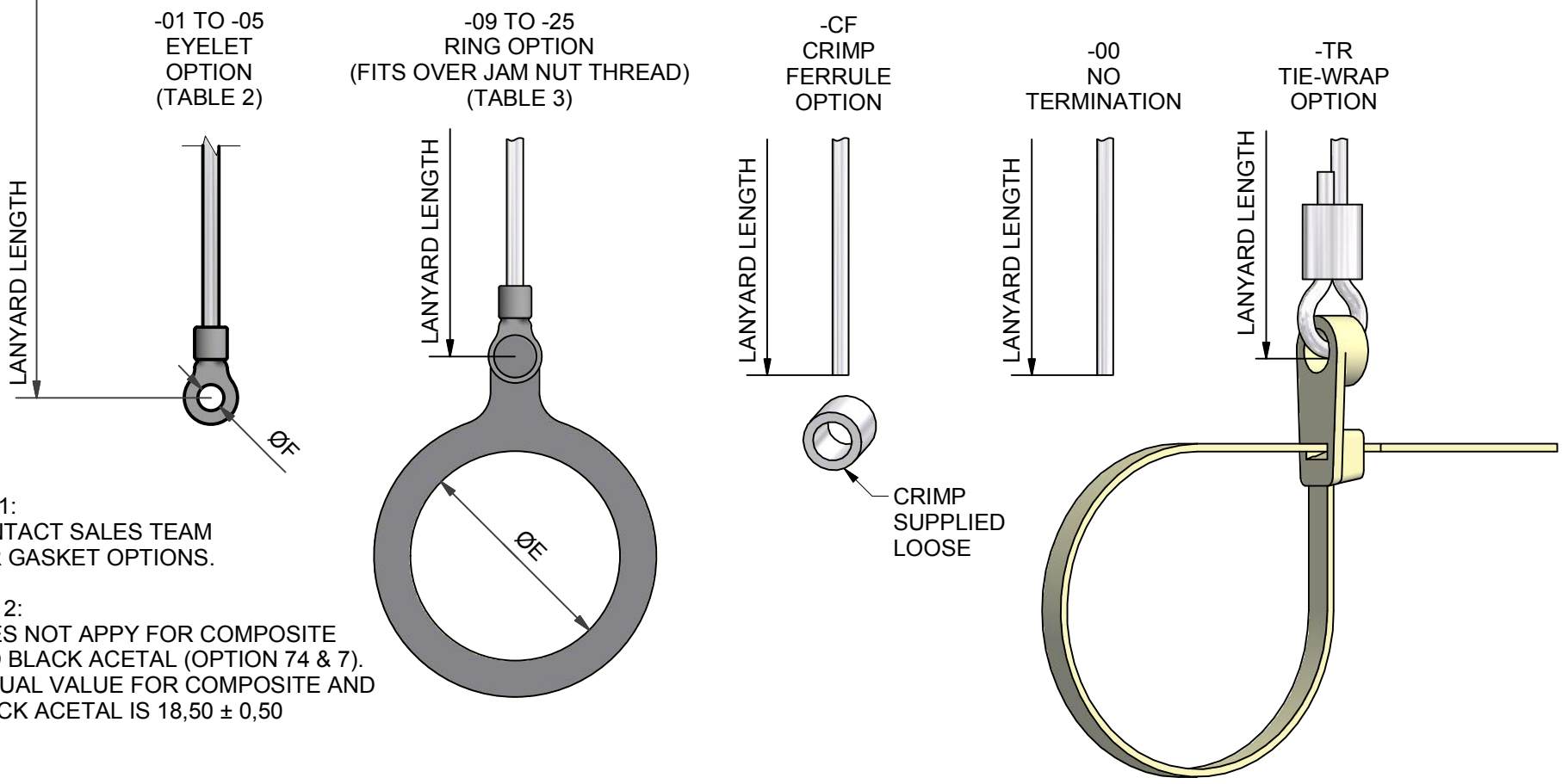


WITH ATTACHMENT



ATTACHMENT OPTIONS:



NOTE 1:
CONTACT SALES TEAM
FOR GASKET OPTIONS.

NOTE 2:
DOES NOT APPLY FOR COMPOSITE
AND BLACK ACETAL (OPTION 74 & 7).
ACTUAL VALUE FOR COMPOSITE AND
BLACK ACETAL IS 18,50 ± 0,50

OMIT FOR NO ATTACHMENT
(SEE SHEET 2)

100P160-17-1-C-WR4-17

SERIES _____
 INSERT 'F' FOR _____
 FLUROSILICONE GASKET
 OMIT FOR STANDARD
 SILICONE GASKET
 SHELL SIZE (TABLE 1) _____
 MATERIAL (TABLE 5) _____
 FINISH (TABLE 6) _____
 LANYARD TYPE (TABLE 4) _____
 LANYARD LENGTH (IN INCHES) _____
 +1,0"/-0" TOLERANCE
 ATTACHMENT (SEE ABOVE) _____

| | | | |
|---|---|---|--|
| DRAWN W.RUST SALES APPR DESIGN APPR PROD APPR QUAL APPR ISSUE 9 REV. 7 DCR 3969 NCAGE CODE U5792 WEIGHT _____ | DATE 12/02/2014 12/02/2014 UNLESS OTHERWISE SPECIFIED ALL DIMENSIONS IN MILLIMETRES GENERAL TOL LINEAR +/-0,25MM ANGULAR +/- 1° MATERIAL SEE PART NUMBER BREAKDOWN FINISH SEE PART NUMBER BREAKDOWN | 3RD ANGLE PROJECTION NOT TO SCALE PART NUMBER: 100P160 SERIES TITLE: RECEPTACLE PROTECTION CAP ASSY USED ON: MIL-DTL-38999 SERIES III THIS DRAWING IS COPYRIGHT AND THE PROPERTY OF POLAMCO LTD IT MUST NOT BE COPIED, USED FOR MANUFACTURE OR OTHERWISE DISCLOSED WITHOUT PRIOR WRITTEN CONSENT OF THE COMPANY. | Polamco TE connectivity SHT 1 DRAWING NO: P10523 |
|---|---|---|--|

TABLE 1

| SHELL SIZE | ØA MAX | B THREAD |
|------------|--------|---------------------|
| 09 | 21,0 | 0.625-0.1P-0.3L-TS |
| 11 | 24,5 | 0.750-0.1P-0.3L-TS |
| 13 | 28,0 | 0.875-0.1P-0.3L-TS |
| 15 | 30,0 | 1.000-0.1P-0.3L-TS |
| 17 | 34,0 | 1.1875-0.1P-0.3L-TS |
| 19 | 37,0 | 1.250-0.1P-0.3L-TS |
| 21 | 40,0 | 1.375-0.1P-0.3L-TS |
| 23 | 43,0 | 1.500-0.1P-0.3L-TS |
| 25 | 47,0 | 1.625-0.1P-0.3L-TS |

TABLE 2

| EYELET REF. | ØF |
|-------------|-----|
| 01 | 3,2 |
| 02 | 3,7 |
| 03 | 4,3 |
| 04 | 5,3 |
| 05 | 6,4 |

TABLE 3

| RING REF. | ØE MAX |
|-----------|--------|
| 09 | 18,0 |
| 11 | 21,4 |
| 13 | 25,8 |
| 15 | 28,8 |
| 17 | 32,0 |
| 19 | 35,0 |
| 21 | 38,3 |
| 23 | 41,7 |
| 25 | 44,6 |

TABLE 4

| CODE | LANYARD TYPE |
|------|---|
| WR | NYLON COVERED (CLEAR) STAINLESS STEEL WIRE ROPE |
| TC | TEFLON COVERED (CLEAR) STAINLESS STEEL WIRE ROPE |
| WG | TEFLON COVERED (OLIVE DRAB) STAINLESS STEEL WIRE ROPE |
| WB | TEFLON COVERED (BLACK) STAINLESS STEEL WIRE ROPE |
| WRB | PVC COVERED (BLACK) STAINLESS STEEL WIRE ROPE |
| LC | LINK CHAIN |
| BK | BLACK CORD |
| VGB | 1,5mm BLACK POLYESTER CORD EQV. TO DIN83330-E1,5 |
| B | BEAD CHAIN |
| R | OLIVE DRAB POLYESTER CORD |
| NB | OLIVE DRAB NYLON CORD |
| NK | BLACK NYLON CORD |

TABLE 5

| CODE | MATERIAL | GASKET MATERIAL |
|------|-------------------------|-----------------|
| 1 | ALUMINIUM | SILICONE |
| 2 | NICKEL ALUMINIUM BRONZE | SILICONE |
| 4 | STAINLESS STEEL | SILICONE |
| 7 | BLACK ACETAL | SILICONE |
| 74 | COMPOSITE | SILICONE |
| 46 | STAINLESS STEEL 316 | SILICONE |

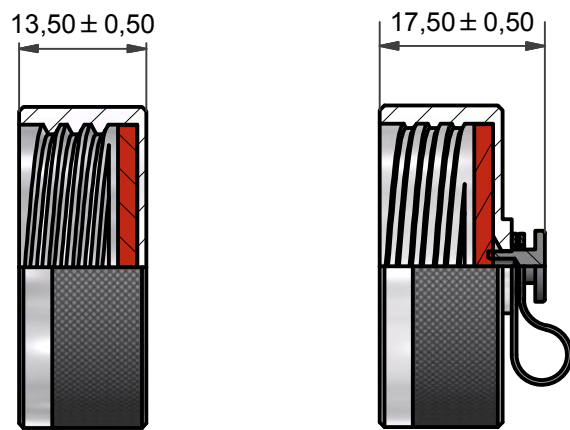
LIST NOT EXHAUSTIVE, SEE MATERIAL TABLE FOR OTHER OPTIONS

TABLE 6

| PLATING CODE | PLATING DESCRIPTION | ROHS COMPLIANT | ENVIRONMENT PROTECTION/ CONDUCTIVITY |
|--------------|--|----------------------------|--|
| B | CADMIUM, OLIVE DRAB (5-10 MICRONS) QQ-P-416, TYPE II, CLASS 3 OVER ELECTROLESS NICKEL | YES (SUBJECT TO EXEMPTION) | CONDUCTIVE 500 HRS SALT SPRAY. EXEMPTION APPLICABLE FOR AEROSPACE / MILITARY APPLICATIONS. SEE ROHS WEBSITES FOR MORE INFORMATION. |
| C | ELECTROLESS NICKEL, AMS-C-26074, CLASS 4, GRADE B | YES | CONDUCTIVE |
| J | PASSIVATE, PER QQ-P-35 OR MI-S-5002 | YES | ROHS COMPLIANT |
| U | UNPLATED CLEAN FINISH NOT SHOT BLASTED | YES | CONDUCTIVE |
| Z | SHOT BLAST FOR NON-REFLECTIVE FINISH | YES | CONDUCTIVE |
| ZB | ZINC COBALT (5-10 MICRONS) OVER ELECTROLESS NICKEL (2,5-7,5 MICRONS) WITH A OLIVE DRAB CHROMATE CONVERSION | YES | CONDUCTIVE 350 HRS SALT SPRAY |
| ZN | ZINC NICKEL BLACK PASSIVATE (5-12 MICRONS) OVER ELECTROLESS NICKEL (8-12 MICRONS), ASTM B 841 CLASS 1 | YES (SUBJECT TO TESTING) | ROHS COMPLIANT (SUBJECT TO TESTING) |

LIST NOT EXHAUSTIVE, SEE PLATING TABLE FOR OTHER OPTIONS

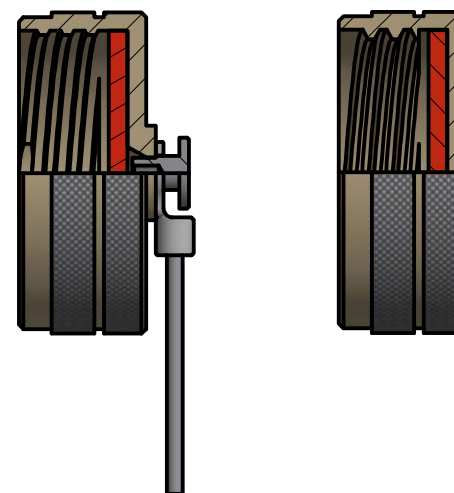
WITHOUT ATTACHMENT



100P160-17-1-C
NO ATTACHMENT VERSION

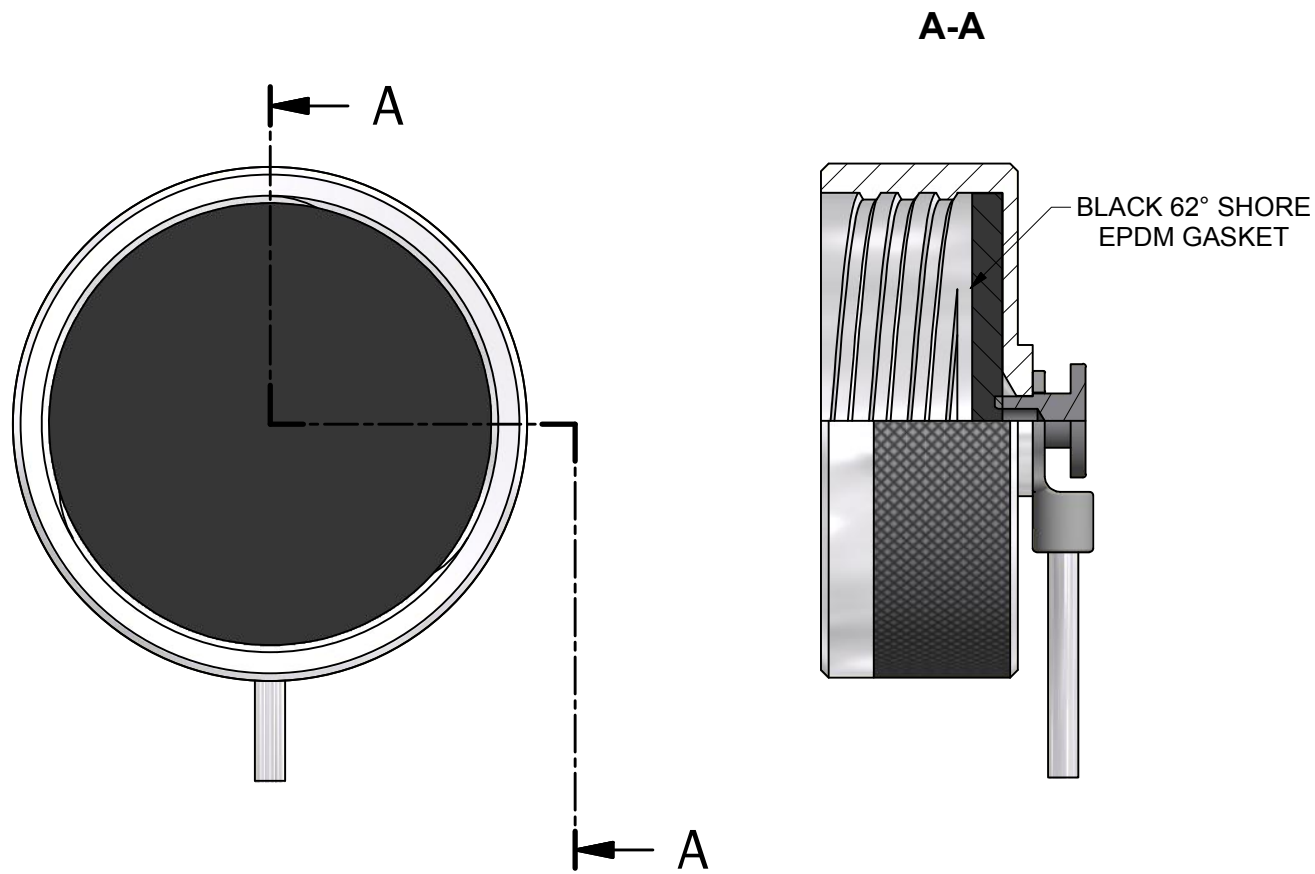
100P160-17-1-C-EO
EYELET ONLY VERSION
(NO LANYARD)

COMPOSITE VERSION



| | | | | | | | | | | | | | | | | | | | | | | | | | | | | | | | |
|---|---|--|--|------------|------------|--|------|------------|-------------|--|--|--|-----------|--|--|--|-----------|--|--|--|-------|------|-----|--|---|---|------|--|--|--|---------------------------------------|
| <table border="1"> <tr><td>DRAWN</td><td>W.RUST</td><td>DATE</td><td>12/02/2014</td></tr> <tr><td>SALES APPR</td><td></td><td>DATE</td><td>12/02/2014</td></tr> <tr><td>DESIGN APPR</td><td></td><td></td><td></td></tr> <tr><td>PROD APPR</td><td></td><td></td><td></td></tr> <tr><td>QUAL APPR</td><td></td><td></td><td></td></tr> <tr><td>ISSUE</td><td>REV.</td><td>DCR</td><td></td></tr> <tr><td>9</td><td>7</td><td>3969</td><td></td></tr> </table> | DRAWN | W.RUST | DATE | 12/02/2014 | SALES APPR | | DATE | 12/02/2014 | DESIGN APPR | | | | PROD APPR | | | | QUAL APPR | | | | ISSUE | REV. | DCR | | 9 | 7 | 3969 | | <p>3RD ANGLE PROJECTION NOT TO SCALE</p> <p>UNLESS OTHERWISE SPECIFIED ALL DIMENSIONS IN MILLIMETRES GENERAL TOL LINEAR +/-0,25MM ANGULAR +/- 1°</p> <p>MATERIAL SEE PART NUMBER BREAKDOWN</p> <p>FINISH SEE PART NUMBER BREAKDOWN</p> | <p>PART NUMBER: 100P160 SERIES</p> <p>TITLE: PROTECTION CAP ASSEMBLY</p> <p>ASSY USED ON: MIL-DTL-38999 SERIES III</p> | <p>Polamco</p> <p>TE connectivity</p> |
| DRAWN | W.RUST | DATE | 12/02/2014 | | | | | | | | | | | | | | | | | | | | | | | | | | | | |
| SALES APPR | | DATE | 12/02/2014 | | | | | | | | | | | | | | | | | | | | | | | | | | | | |
| DESIGN APPR | | | | | | | | | | | | | | | | | | | | | | | | | | | | | | | |
| PROD APPR | | | | | | | | | | | | | | | | | | | | | | | | | | | | | | | |
| QUAL APPR | | | | | | | | | | | | | | | | | | | | | | | | | | | | | | | |
| ISSUE | REV. | DCR | | | | | | | | | | | | | | | | | | | | | | | | | | | | | |
| 9 | 7 | 3969 | | | | | | | | | | | | | | | | | | | | | | | | | | | | | |
| <p>NCAGE CODE U5792</p> <p>WEIGHT</p> | <p>THIS DRAWING IS COPYRIGHT AND THE PROPERTY OF POLAMCO LTD IT MUST NOT BE COPIED, USED FOR MANUFACTURE OR OTHERWISE DISCLOSED WITHOUT PRIOR WRITTEN CONSENT OF THE COMPANY.</p> | <p>POLAMCO LTD, WESTON LOCK, LOWER BRISTOL ROAD BATH BA2 1EP</p> | <p>SHT 2</p> <p>DRAWING NO: P10523</p> | | | | | | | | | | | | | | | | | | | | | | | | | | | | |

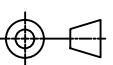
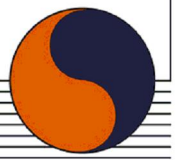

OPTIONAL GASKET:



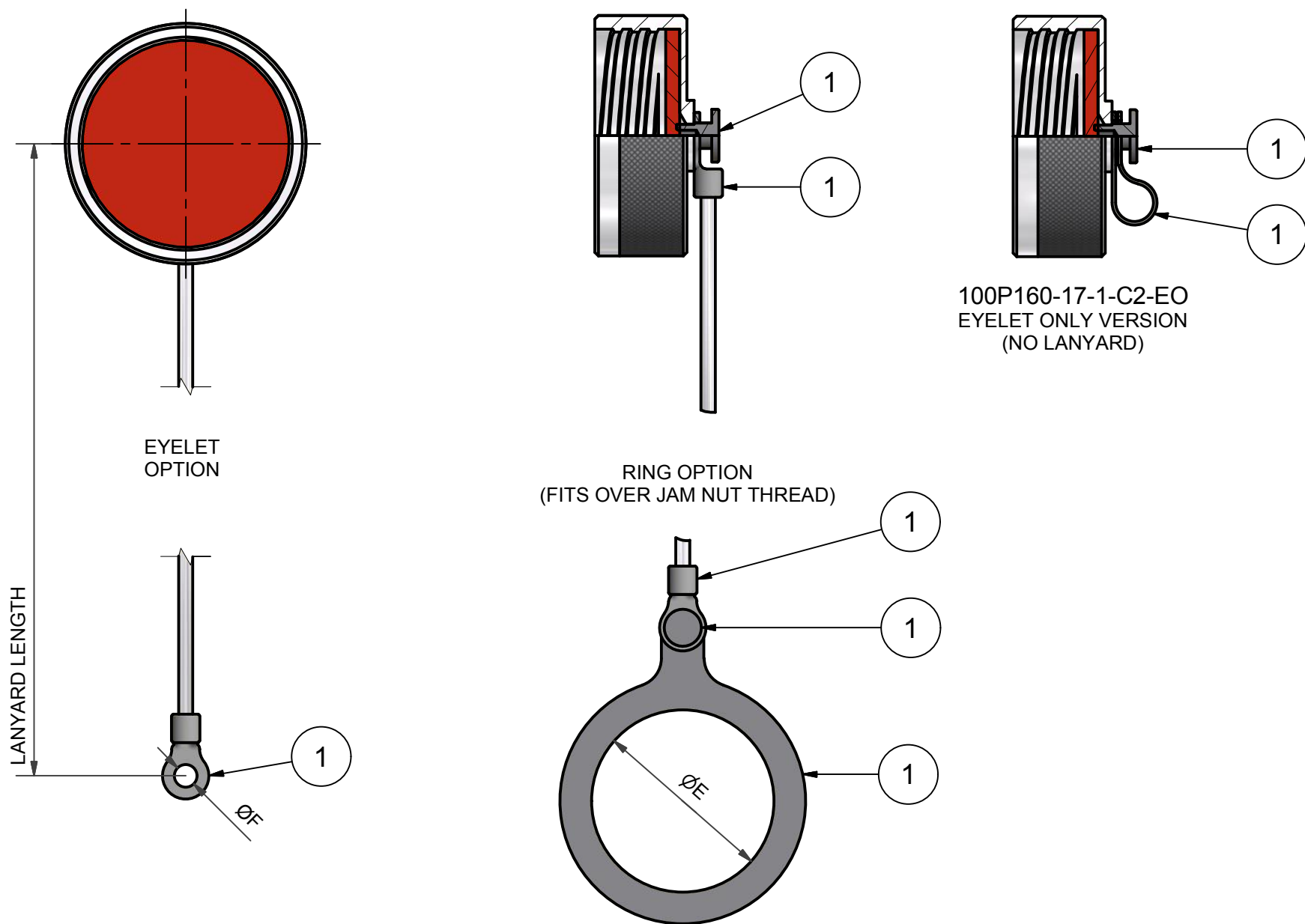
OMIT FOR NO ATTACHMENT
(SEE SHEET 2)

100P160-17-1-C-WR4-17-EPDM

SERIES _____
 SHELL SIZE (TABLE 1) _____
 MATERIAL (TABLE 5) _____
 FINISH (TABLE 6) _____
 LANYARD TYPE (TABLE 4) _____
 LANYARD LENGTH (IN INCHES) _____
 +1,0"/-0" TOLERANCE
 ATTACHMENT (SEE ABOVE) _____
 EPDM GASKET _____

| | | | | | | |
|------------------|--------|------------|--|--|---|--|
| DRAWN | W.RUST | DATE |  3RD ANGLE PROJECTION NOT TO SCALE | PART NUMBER: | |  Polamco  |
| SALES APPR | | 12/02/2014 | | 100P160 SERIES | | |
| DESIGN APPR | | 12/02/2014 | UNLESS OTHERWISE SPECIFIED ALL DIMENSIONS IN MILLIMETRES GENERAL TOL LINEAR +/-0,25MM ANGULAR +/- 1° | TITLE: | | ASSY USED ON: MIL-DTL-38999 SERIES III |
| PROD APPR | | | | RECEPTACLE PROTECTION CAP | | |
| QUAL APPR | | | MATERIAL SEE PART NUMBER BREAKDOWN FINISH SEE PART NUMBER BREAKDOWN | THIS DRAWING IS COPYRIGHT AND THE PROPERTY OF POLAMCO LTD IT MUST NOT BE COPIED, USED FOR MANUFACTURE OR OTHERWISE DISCLOSED WITHOUT PRIOR WRITTEN CONSENT OF THE COMPANY. | | POLAMCO LTD, WESTON LOCK, LOWER BRISTOL ROAD BATH BA2 1EP |
| ISSUE | REV. | DCR | | DRAWING NO: | | |
| 9 | 7 | 3969 | P10523 | | 3 | |
| NCAGE CODE U5792 | | WEIGHT | | | | |

WITH PLATED ACCESSORIES



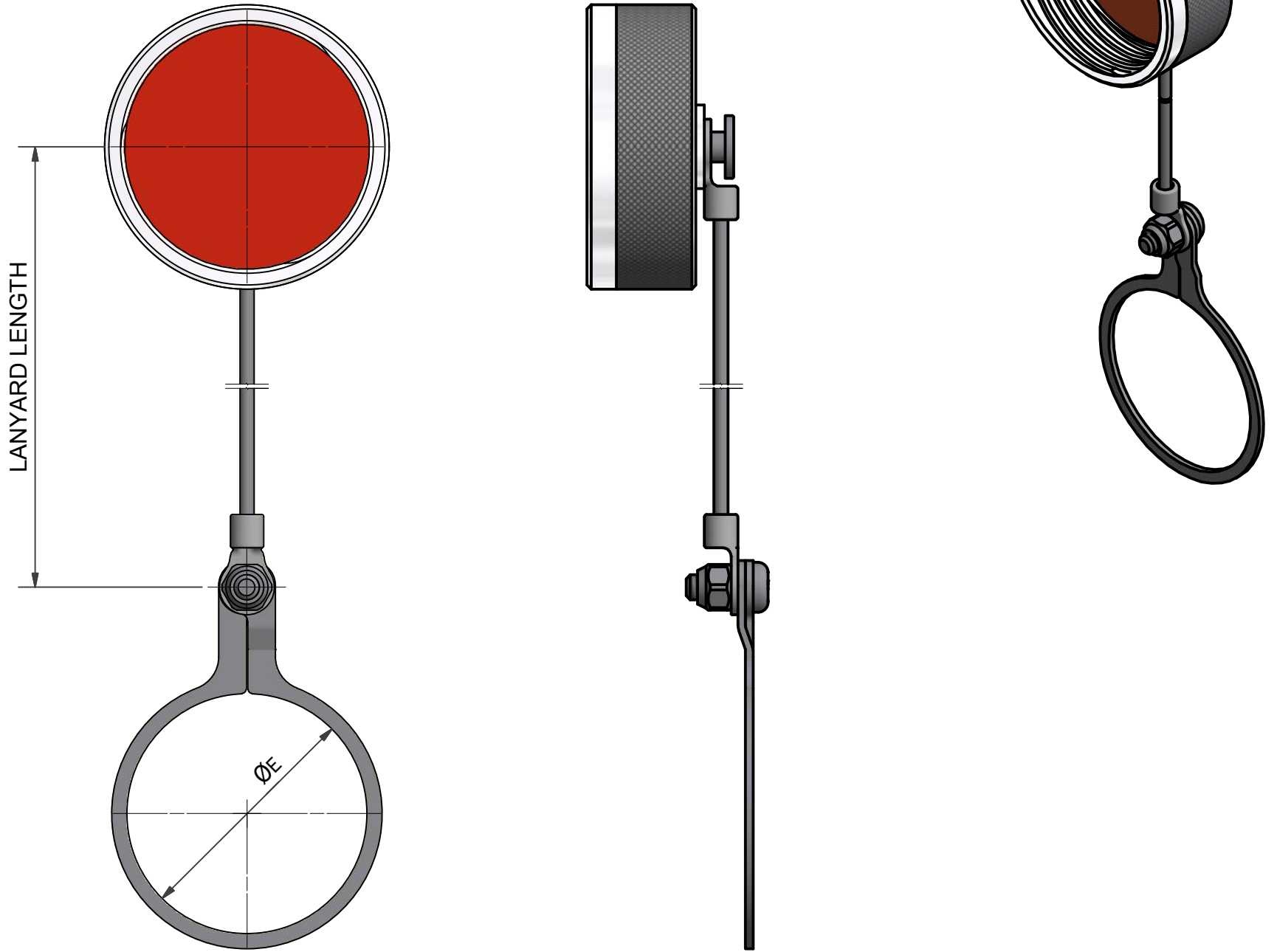
100P160-17-1-C2-WR4-17

SERIES _____
 SHELL SIZE (TABLE 1) _____
 MATERIAL (TABLE 5) _____
 FINISH (TABLE 6) _____
 PLATED EYELETS, RIVETS
 AND RINGS - AVAILABLE
 FOR PLATING CODES B, C, ZB, ZN
 (SEE NOTE)
 LANYARD TYPE (TABLE 4) _____
 LANYARD LENGTH (IN INCHES)
 +1,0"/-0" TOLERANCE
 ATTACHMENT (SEE ABOVE) _____

NOTE:
 1. ALL COMPONENTS INDICATED TO BE PLATED THE SAME AS CAP WHEN CODE "2" IS INSERTED IN THE PART NUMBER

| | | | | | |
|------------------|--------|------------|--|--|---|
| DRAWN | W.RUST | DATE | 3RD ANGLE PROJECTION NOT TO SCALE | PART NUMBER: 100P160 SERIES | Polamco |
| SALES APPR | | 12/02/2014 | | | |
| DESIGN APPR | | 12/02/2014 | UNLESS OTHERWISE SPECIFIED ALL DIMENSIONS IN MILLIMETRES GENERAL TOL LINEAR +/-0,25MM ANGULAR +/- 1° | TITLE: RECEPTACLE PROTECTION CAP | ASSY USED ON: MIL-DTL-38999 SERIES III |
| PROD APPR | | | | | |
| QUAL APPR | | | MATERIAL SEE PART NUMBER BREAKDOWN FINISH SEE PART NUMBER BREAKDOWN | THIS DRAWING IS COPYRIGHT AND THE PROPERTY OF POLAMCO LTD IT MUST NOT BE COPIED, USED FOR MANUFACTURE OR OTHERWISE DISCLOSED WITHOUT PRIOR WRITTEN CONSENT OF THE COMPANY. | POLAMCO LTD, WESTON LOCK, LOWER BRISTOL ROAD BATH BA2 1EP |
| ISSUE | REV. | DCR | | | |
| 9 | 7 | 3969 | 4 | P10523 | |
| NCAGE CODE U5792 | | WEIGHT | | | |

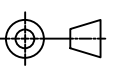
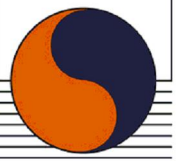

SPLIT RING OPTION:



OMIT FOR NO ATTACHMENT
(SEE SHEET 2)

100P160-17-1-C-WR4-C17

SERIES _____
 INSERT 'F' FOR _____
 FLUROSILICONE GASKET
 OMIT FOR STANDARD
 SILICONE GASKET
 SHELL SIZE (TABLE 1) _____
 MATERIAL (TABLE 5) _____
 FINISH (TABLE 6) _____
 LANYARD TYPE (TABLE 4) _____
 LANYARD LENGTH (IN INCHES) _____
 +1,0"/-0" TOLERANCE
 ATTACHMENT
 C - SPLIT RING _____
 17 - RING SIZE (SEE TABLE 3) _____

| | | | | | | | |
|------------------|--------|------------|--|--|---|-----------------------------|---|
| DRAWN | W.RUST | DATE |  3RD ANGLE PROJECTION NOT TO SCALE | PART NUMBER: | 100P160 SERIES | |  Polamco  connectivity |
| SALES APPR | | 12/02/2014 | | UNLESS OTHERWISE SPECIFIED ALL DIMENSIONS IN MILLIMETRES GENERAL TOL LINEAR +/-0,25MM ANGULAR +/- 1° | TITLE: | RECEPTACLE PROTECTION COVER | |
| DESIGN APPR | | | MATERIAL SEE PART NUMBER BREAKDOWN FINISH SEE PART NUMBER BREAKDOWN | ASSY USED ON: MIL-DTL-38999 SERIES III | | | |
| PROD APPR | | | | THIS DRAWING IS COPYRIGHT AND THE PROPERTY OF POLAMCO LTD IT MUST NOT BE COPIED, USED FOR MANUFACTURE OR OTHERWISE DISCLOSED WITHOUT PRIOR WRITTEN CONSENT OF THE COMPANY. | POLAMCO LTD, WESTON LOCK, LOWER BRISTOL ROAD BATH BA2 1EP | SHT | |
| QUAL APPR | | | | | | 5 | P10523 |
| ISSUE | REV. | DCR | | | | | |
| 9 | 7 | 3969 | | | | | |
| NCAGE CODE U5792 | | WEIGHT | | | | | |

X-ON Electronics

Largest Supplier of Electrical and Electronic Components

Click to view similar products for [Circular MIL Spec Tools, Hardware & Accessories](#) *category:*

Click to view products by [TE Connectivity](#) *manufacturer:*

Other Similar products are found below :

[0113-201-2025](#) [600-079-06](#) [600-146-06](#) [M10-101983-183](#) [M10-454396-008](#) [602GB18808](#) [6134-333-1990](#) [6134-334-1590](#) [6134-334-2190](#)
[CS3102A-22-14PW](#) [M2887615-CD](#) [627-009](#) [M38999/9-19B](#) [630A007NF083A](#) [630B007M051A](#) [630BJ003NF032H](#) [637-149NF04B](#)
[M39029/29-215](#) [6408-203V-09273](#) [6426-201-11343](#) [650FS002NF16](#) [660-008NF14S7-01](#) [660-009M22H8-03](#) [660-013NF19U6-210](#) [660-](#)
[015M10S6-17](#) [660-015NF10S5-01](#) [660-015NF14R3.5-01](#) [660-023NF19H6-19](#) [660-024NF11S12-01](#) [660-024NF11S3-01](#) [660-024NF17S4-](#)
[109](#) [660-050XM17F4-01](#) [660-068NF25R6-30G](#) [660-070M23S8-04](#) [660-073MTCH9-20](#) [M83723/61-18W](#) [M83723/61-218R](#) [M83723/61-](#)
[224W](#) [667-084-23C](#) [667-084-35C](#) [667-224NF16](#) [687-697NF-1](#) [M85049/94-10-A](#) [M85049/96-7-A](#) [M855282-10A01A](#) [M85528/2-10B](#)
[M855282-18A01A](#) [M85528/2-22A01A](#) [M85528/2-22AA](#) [710HS460NF2508](#)