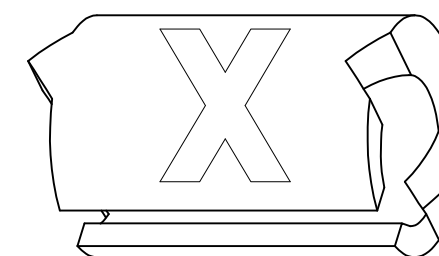
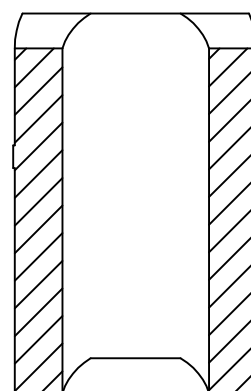
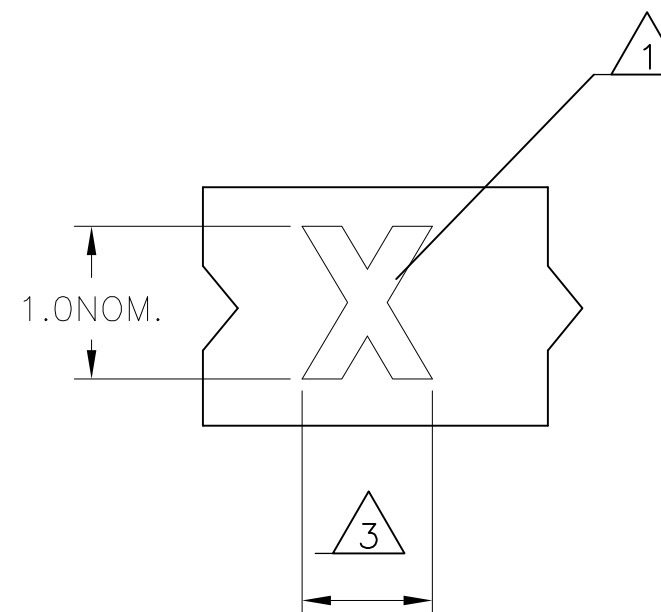
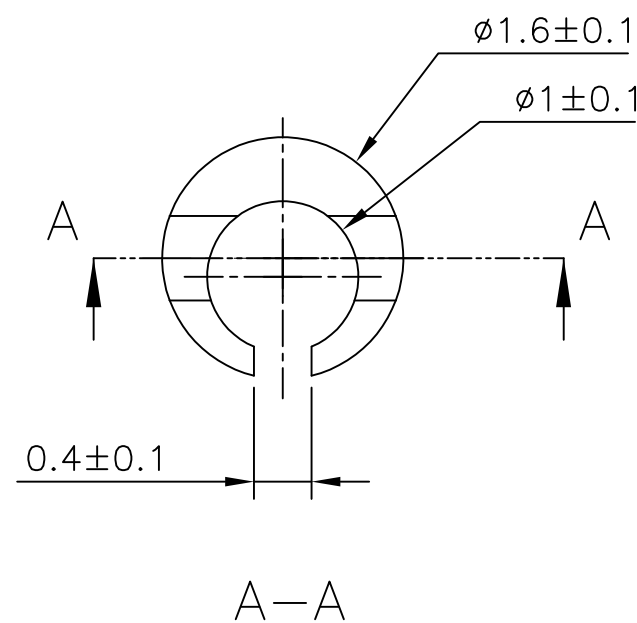
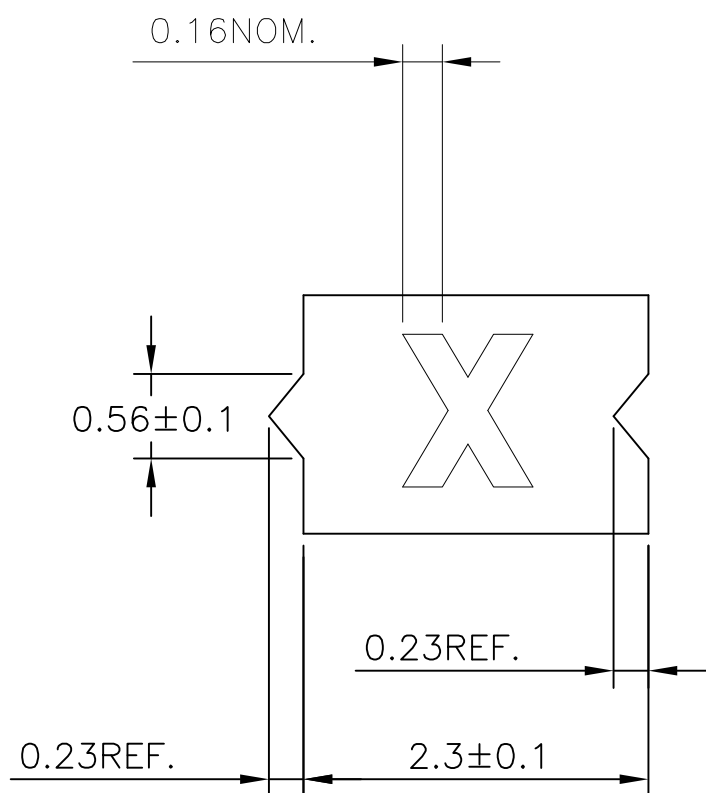


THIS DRAWING IS UNPUBLISHED. RELEASED FOR PUBLICATION

© COPYRIGHT - TE Connectivity, SWINDON, UK

ALL RIGHTS RESERVED.

LOC	DIST	REVISIONS					
		P	LTR	DESCRIPTION	DATE	DWN	APVD
-	-	1		NEW DRAWING	17DEC2012	AFK	MA



NOTES:

- 1 FOR PART NUMBERS SEE SHEET 3 OF 3.
- 2 MARK SHOULD BE CENTRALLY POSITIONED ± 0.1 mm
- 3 WIDTH OF MARK DEPENDS ON CHARACTER PRINTED

THIS DRAWING IS A CONTROLLED DOCUMENT.		DWN AFK	17NOV2012	STE TE Connectivity													
DIMENSIONS: mm		CHK M APPELLO	17DEC2012														
TOLERANCES UNLESS OTHERWISE SPECIFIED:		APVD M APPELLO	17DEC2012	NAME STB/STD MARKER WITH APPLICATOR													
<table border="0"> <tr><td>0 PLC</td><td>± -</td></tr> <tr><td>1 PLC</td><td>± -</td></tr> <tr><td>2 PLC</td><td>± -</td></tr> <tr><td>3 PLC</td><td>± -</td></tr> <tr><td>4 PLC</td><td>± -</td></tr> <tr><td>ANGLES</td><td>± -</td></tr> </table>		0 PLC	± -	1 PLC	± -	2 PLC	± -	3 PLC	± -	4 PLC	± -	ANGLES	± -	PRODUCT SPEC -		APPLICATION SPEC -	
0 PLC	± -																
1 PLC	± -																
2 PLC	± -																
3 PLC	± -																
4 PLC	± -																
ANGLES	± -																
MATERIAL THERMOPLASTIC	FINISH -	WEIGHT -	SIZE A3	CAGE CODE 00779	DRAWING NO C-1-1768041-3												
CUSTOMER DRAWING			SCALE NTS	SHEET 1 OF 3	RESTRICTED TO -												
			REV 1														

THIS DRAWING IS UNPUBLISHED.

RELEASED FOR PUBLICATION

© COPYRIGHT - TE Connectivity, SWINDON, UK

ALL RIGHTS RESERVED.

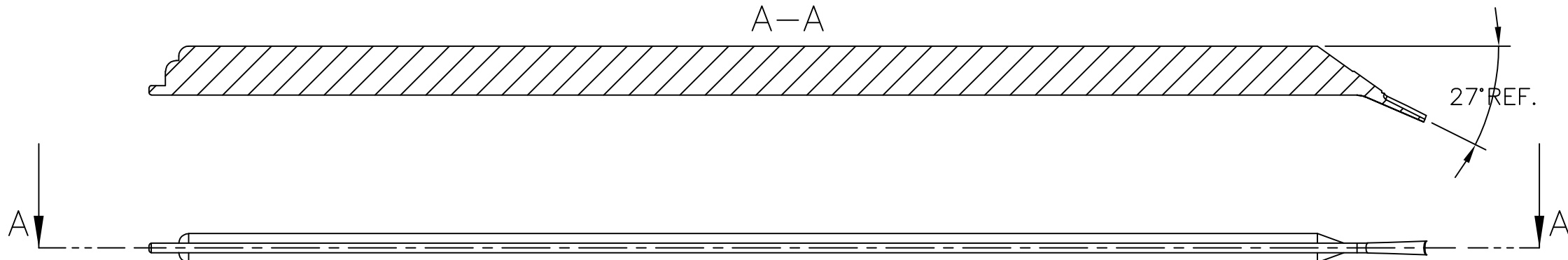
LOC -

DIST -

REVISIONS

P	LTR	DESCRIPTION	DATE	DWN	APVD
-	-	SEE SHEET 1	-	-	-

A-A



27° REF.

129±2

115±2

B-B

0.35±0.1

∅0.96±0.05

∅3±0.25

157° REF.

7.7 REF.

4.8±0.5

5.0 REF.

3±0.5

THIS DRAWING IS A CONTROLLED DOCUMENT.

DWN A KEAN 18DEC2012

CHK M APPELLO 17DEC2012

APVD M APPELLO 17DEC2012

PRODUCT SPEC

APPLICATION SPEC

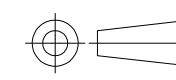
WEIGHT -



NAME STB/STD MARKER WITH APPLICATOR

SIZE A3 CAGE CODE 00779 DRAWING NO C-1-1768041-3 RESTRICTED TO -

DIMENSIONS:	TOLERANCES UNLESS OTHERWISE SPECIFIED:
mm	
0 PLC	± -
1 PLC	± -
2 PLC	± -
3 PLC	± -
4 PLC	± -
ANGLES	± -
MATERIAL THERMOPLASTIC	FINISH -



CUSTOMER DRAWING SCALE NTS SHEET 2 OF 3 REV 1

THIS DRAWING IS UNPUBLISHED. RELEASED FOR PUBLICATION
 © COPYRIGHT - TE Connectivity, SWINDON, UK ALL RIGHTS RESERVED.

LOC	DIST	REVISIONS					
		P	LTR	DESCRIPTION	DATE	DWN	APVD
-	-	-	-	SEE SHEET 1	-	-	-

DESCRIPTION	PART NO.
STB01-0-0	7-1768036-9
STB01-1-1	8-1768036-2
STB01-2-2	8-1768036-5
STB01-3-3	8-1768036-8
STB01-5-5	9-1768036-3
STB01-6-6	9-1768036-6
STB01-7-7	9-1768036-9
STB01-8-8	1768037-3
STB01-BLANK-0	1768037-6
STB01-BLANK-1	1768037-7
STB01-BLANK-2	1768037-8
STB01-BLANK-3	1768037-9
STB01-BLANK-5	1-1768037-0
STB01-BLANK-6	1-1768037-1
STB01-BLANK-7	1-1768037-2
STD01W-0	380468-000
STD01W-1	036952-000
STD01W-2	880874-000
STD01W-3	261416-000
STD01W-4	886014-000
STD01W-5	472156-000
STD01W-6	697328-000
STD01W-7	115690-000
STD01W-8	695082-000
STD01W-9	524448-000
STD01W-A	543032-000
STD01W-B	667794-000
STD01W-BLANK	7-1768040-6
STD01W-C	490978-000

DESCRIPTION	PART NO.
STD01W-COLON	866186-000
STD01W-D	892212-000
STD01W-DOT	7-1768040-9
STD01W-E	306924-000
STD01W-EARTH	8-1768040-0
STD01W-F	564572-000
STD01W-G	476126-000
STD01W-H	773592-000
STD01W-I	744932-000
STD01W-J	558694-000
STD01W-K	300156-000
STD01W-L	069822-000
STD01W-M	797550-000
STD01W-MINUS	8-1768040-7
STD01W-N	825954-000
STD01W-P	003470-000
STD01W-PLUS	9-1768040-0
STD01W-Q	184430-000
STD01W-R	127474-000
STD01W-S	894140-000
STD01W-SLASH	435160-000
STD01W-T	381132-000
STD01W-U	764856-000
STD01W-V	117528-000
STD01W-W	019350-000
STD01W-X	165016-000
STD01W-Y	098122-000
STD01W-Z	030648-000
STD01Y-0	9-1768040-2

DESCRIPTION	PART NO.
STD01Y-1	9-1768040-3
STD01Y-2	9-1768040-4
STD01Y-3	9-1768040-5
STD01Y-4	9-1768040-6
STD01Y-5	9-1768040-7
STD01Y-6	9-1768040-8
STD01Y-7	9-1768040-9
STD01Y-8	1768041-1
STD01Y-9	1768041-2
STD01Y-A	1768041-3
STD01Y-AC	1768041-4
STD01Y-B	1768041-6
STD01Y-BLANK	1768041-7
STD01Y-C	1768041-9
STD01Y-COLON	1-1768041-0
STD01Y-D	1-1768041-1
STD01Y-DOT	1-1768041-3
STD01Y-E	1-1768041-4
STD01Y-EARTH	1-1768041-5
STD01Y-F	1-1768041-7
STD01Y-G	1-1768041-9
STD01Y-H	2-1768041-1
STD01Y-I	2-1768041-3
STD01Y-J	2-1768041-4
STD01Y-K	2-1768041-5
STD01Y-L	2-1768041-7
STD01Y-M	2-1768041-9
STD01Y-MINUS	3-1768041-0
STD01Y-N	3-1768041-2

DESCRIPTION	PART NO.
STD01Y-P	3-1768041-4
STD01Y-PLUS	3-1768041-5
STD01Y-Q	3-1768041-6
STD01Y-R	3-1768041-7
STD01Y-S	3-1768041-9
STD01Y-SLASH	4-1768041-0
STD01Y-T	4-1768041-1
STD01Y-U	4-1768041-2
STD01Y-V	4-1768041-3
STD01Y-W	4-1768041-4
STD01Y-X	4-1768041-5
STD01Y-Y	4-1768041-6
STD01Y-Z	4-1768041-7

THIS DRAWING IS A CONTROLLED DOCUMENT.		DWN A KEAN 17DEC2012	 TE Connectivity		
DIMENSIONS: mm		CHK M APPELLO 17DEC2012			
		APVD M APPELLO 17DEC2012	NAME STB/STD MARKER WITH APPLICATOR		
TOLERANCES UNLESS OTHERWISE SPECIFIED:		PRODUCT SPEC	-		
0 PLC ± -		APPLICATION SPEC	-		
1 PLC ± -		WEIGHT	-		
2 PLC ± -		SIZE	CAGE CODE	DRAWING NO	RESTRICTED TO
3 PLC ± -		A3 00779		C-1-1768041-3	-
4 PLC ± -		CUSTOMER DRAWING			
ANGLES ± -		SCALE		SHEET	REV
FINISH		NTS		3 OF 3	1
MATERIAL THERMOPLASTIC					

X-ON Electronics

Largest Supplier of Electrical and Electronic Components

Click to view similar products for [Wire Labels & Markers](#) category:

Click to view products by [TE Connectivity](#) manufacturer:

Other Similar products are found below :

[89078GBEST](#) [89082GBESR](#) [89082GBEST](#) [PCL025-4](#) [5761-2SF](#) [58400](#) [586R734H02](#) [M1.040.0000.6](#) [CRS-CM5M](#) [CRS-M18M](#) [CS1836-000](#) [CS8626-000](#) [CU6337-000](#) [CU6342-000](#) [CU6343-000](#) [CWD01-0](#) [CWD012-0](#) [CWD012-7](#) [CWD015-3](#) [CWD015-7](#) [CWD02-0](#) [CWD02-3](#) [CWD02-4](#) [CWD02-6](#) [CWD02-8](#) [CWD02-A](#) [CWD02-D](#) [CWD02-H](#) [CWD02-K](#) [CWD02-L](#) [CWD02-M](#) [CWD02-P](#) [CWD02-Q](#) [CWD02-R](#) [CWD02-U](#) [CWD02-W](#) [CWD02-Y](#) [CWD03-+](#) [CWD03-0](#) [CWD03-P](#) [CWD06-0](#) [CWD06-8](#) [CWD06-9](#) [CWD06-L](#) [CWD06-N](#) [CWD09-0](#) [CWD09-5](#) [CWD09-7](#) [6806810001](#) [CZ2857-000](#)