

REVISIONS

P	LTR	DESCRIPTION	DATE	DWN	APVD
	N	REVISED PER ECO-21-001073	01/20/21	MM	LR

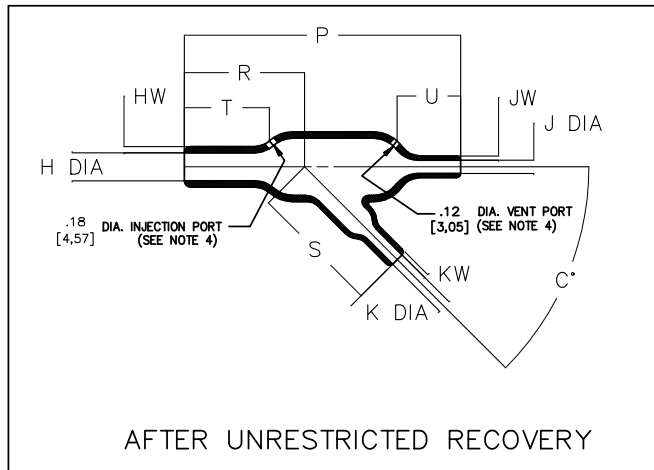
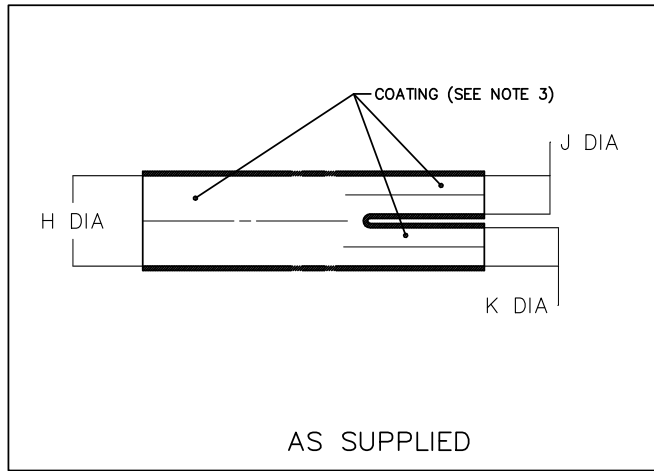


TABLE OF DIMENSIONS

PART NUMBER	H		J & K		P	R	S	T	U	HW	JW & KW	C
	MIN a	MAX b	MIN a	MAX b	±10% b	±10% b	±10% b	±10% b	±10% b	±20% b	±20% b	±5° b
342A112	.52 [13,2]	.24 [6,1]	.26 [6,6]	.12 [3,0]	1.76 [44,7]	.90 [22,9]	.84 [21,3]	.70 [17,8]	.60 [15,2]	.06 [1,52]	.04 [1,02]	45
342A124	1.06 [26,9]	.49 [12,4]	.52 [13,2]	.24 [6,1]	3.54 [89,9]	1.66 [42,2]	1.68 [42,7]	1.25 [31,8]	1.22 [31,0]	.10 [2,54]	.06 [1,52]	45
342A138	2.19 [55,6]	1.00 [25,4]	1.06 [26,9]	.49 [12,4]	7.21 [183,1]	3.76 [95,5]	3.40 [86,4]	2.80 [71,1]	2.60 [66,0]	.18 [4,57]	.10 [2,54]	45

THIS DRAWING IS UNPUBLISHED. ALL RIGHTS RESERVED. © COPYRIGHT - TE Connectivity Ltd.

DIMENSIONS: mm [INCHES]	DWN MAX MAZARIEGOS 01/20/2021	MATERIAL SEE SHEET 2	FINISH -
	CHK MARK TAYLOR 01/21/2021	TE Connectivity Ltd.	
TOLERANCES UNLESS OTHERWISE SPECIFIED:	APVD LUIS RODRIGUEZ 01/21/2021		
	0 PLC ± - 1 PLC ± - 2 PLC ± - 3 PLC ± - 4 PLC ± - ANGLES ± -	PRODUCT SPEC -	SIZE A4
	APPLICATION SPEC -	DRAWING NO C= 342A1XX	RESTRICTED TO -
	WEIGHT	CUSTOMER DRAWING	
SCALE DNS		SHEET 1 OF 2	REV N

REVISIONS

P	LTR	DESCRIPTION	DATE	DWN	APVD
	-	SEE SHEET 1	-	-	-

COMPATIBILITY CHART			
MATERIAL DASH NO.	MATERIAL DESCRIPTION	RT SPEC	COATING SLASH NO.
-3	POLYOLEFIN, SEMI-RIGID	RT-301	/42; /86
-4	POLYOLEFIN, FLEXIBLE	RT-1304	/42; /86
-12	FLUOROELASTOMER	RT-1312	N/A
-25	ELASTOMER, FLUID RESISTANT	RW-2070	/86, /225
-100	POLYOLEFIN, SEMI-FLEXIBLE ZEROHAL	RT-1323	/180; /86

ORDERING INFORMATION

Base part number 342A1XX -XX -XX /XX -0
 Material dash number 342A1XX
 (See Compatibility Chart)
 Modification number -XX
 Adhesive slash number -XX
 (If necessary, see Compatibility Chart)
 Color Designator _____


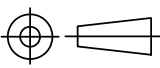
NOTES

- Dimensions appearing in table are as follows:
 - a - As Supplied
 - b - After Unrestricted Recovery
- Coating is optional. As supplied dimensions appearing in table are for uncoated parts. When coating is added, entry diameters will be reduced by 1.5mm[.06] max.
- Molding port is optional. When -00 modification number is specified molding port will be located as shown.

RELEASED FOR PUBLICATION

ALL RIGHTS RESERVED.

© COPYRIGHT - TE Connectivity Ltd.

DIMENSIONS: mm [INCHES]	DWN M MAZARIEGOS 01/20/2021	MATERIAL	-	FINISH	-
	CHK M TAYLOR 01/21/2021	 TE Connectivity Ltd.			
TOLERANCES UNLESS OTHERWISE SPECIFIED:	APVD L RODRIGUEZ 01/21/2021				
0 PLC ± -	PRODUCT SPEC	NAME BOOT, STRAIGHT			
1 PLC ± -	-	-			
2 PLC ± -	APPLICATION SPEC	SIZE	CAGE CODE	DRAWING NO	RESTRICTED TO
3 PLC ± -	-	A4	06090	Ⓒ= 342A1XX	-
4 PLC ± -	WEIGHT	CUSTOMER DRAWING			
ANGLES ± -	-	SCALE	DNS	SHEET	2 OF 2
	REV				N

X-ON Electronics

Largest Supplier of Electrical and Electronic Components

Click to view similar products for [Heat Shrink Cable Boots & End Caps](#) category:

Click to view products by [TE Connectivity](#) manufacturer:

Other Similar products are found below :

[577159N001](#) [645494-000](#) [CX4132-000](#) [687025-000](#) [705331-000](#) [718446-000](#) [725666N001](#) [729257-000](#) [F27131-000](#) [F85868-000](#) [770-003S106W2](#) [770-013210W1](#) [770-013311](#) [770-013312](#) [806542N001](#) [807507-000](#) [808059-000](#) [808362-000](#) [808618-000](#) [809125-000](#) [809130-000](#) [809218-000](#) [812014-000](#) [812047-000](#) [813166-000](#) [813767N002](#) [814741-000](#) [819117N001](#) [823026-000](#) [823070-000](#) [825002-000](#) [841189N001](#) [861471-000](#) [866647-000](#) [879515-000](#) [937577-000](#) [957073-000](#) [982033-2](#) [A77813-000](#) [R280576000](#) [D96192-000](#) [163549-000](#) [MTPSRBCL-C](#) [1954015-1](#) [200W531-3-0](#) [202A163-4-0-CS5067](#) [202A343-3-00-0](#) [202B221-13-0](#) [202B231-13-0](#) [202B563-25-07-0](#)