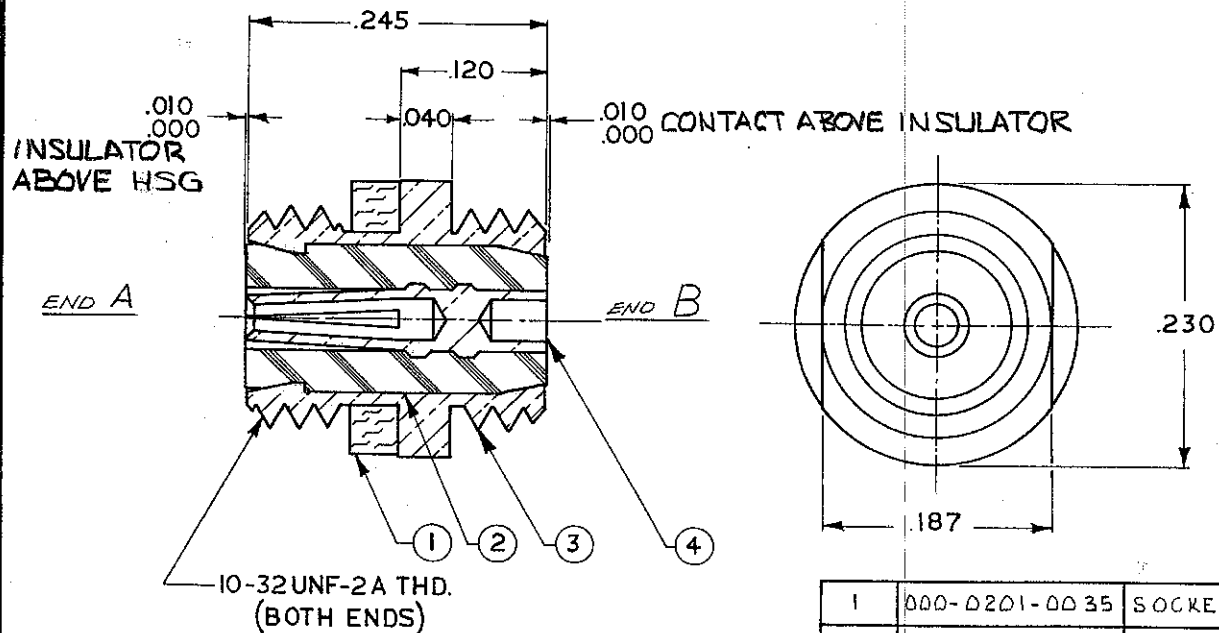


REVISIONS

SYM	ECO	DESCRIPTION	DATE	APPROVED
J	REVIS	REDESIGNED & REDRAWN ECO 114178	7/16/70	
K	003-0345-0001	002-000-0301-0029 ECO 131600	9/23/71	
L	14247	ITEM 2 000-0301-0083 HAS 003-0345-0001	3/17/72	
M	REV. LETTER	UP. DATED ECO 16680	3/17/75	
N	2972B	UPDATE DWG.	10/14/85	
P	39388	UPDATE REV. LETTER.	9/20/90	
R	43364	CLARIFY .000/.010 ZPLS	1/5/7	AW



Tyco Customer Drawing 1466287

QTY. REQD.	PART NO.	NOMENCLATURE OR DESCRIPTION	MATERIAL & SPECIFICATION	ITEM NO.
1	000-0201-0035	SOCKET CONTACT	BERYLLIUM COPPER PER QQ-C-530	4
1	003-0015-0001	HOUSING	BRASS PER QQ-B-626	3
1	000-0301-0083	INSULATOR	TEFLON PER L-P-403	2
1	003-0268-0001	GASKET	SILICONE RUBBER, 22-R-765	1

- NOTES: UNLESS OTHERWISE SPECIFIED.
- CONTACT AND INSULATOR MUST BE INSERTED SEPARATELY FROM END 'A' OF CONNECTOR.
 - HOUSING IS SILVER PLATED .0002-.0004 PER QQ-S-365 TYPE II, GRADE A.
 - SOCKET CONTACT IS GOLD PLATED PER MIL-G-45204, TYPE II, CLASS I.
 - THIS CONNECTOR MATES WITH ALL PLUGS IN S-50 SERIES AS LISTED IN MICRODOT CATALOG.
 - INSULATION RESISTANCE 5.0×10^9 MEGOHMS MIN.
 - WORKING VOLTAGE - 750 VOLTS R.M.S.

LIST OF MATERIAL OR PARTS LIST			
UNLESS OTHERWISE SPECIFIED		DRAWN	B.B. 11/1/75
DIMENSIONS ARE IN INCHES		CHECK	
TOLERANCES		PR. ENG.	F.K.J.
DECIMALS	FRACTIONS	CHF. ENG.	
.XX ±		MATERIAL	
.XXX ± .020		NOTED	
.XXX ±		SIZE	CODE IDENT.
ANGLES ±		B	NO. 98278
SURFACE TREATMENT		SCALE	WT
NOTED		10X	
TOP ASSY.	DO NOT SCALE THIS DWG	SHEET 1 OF 1	

MALCO
A MICRODOT COMPANY, INC.
220 PASADENA AVE., SO. PASADENA, CALIF. 91030

BULKHEAD RECEPTACLE

PROD CODE: 931
CODE C.D.M.

X-ON Electronics

Largest Supplier of Electrical and Electronic Components

Click to view similar products for [RF Connectors](#) / [Coaxial Connectors](#) category:

Click to view products by [TE Connectivity](#) manufacturer:

Other Similar products are found below :

[R125315120](#) [8915-1511-000](#) [89674-0827](#) [5916-1103-603](#) [6-0001-3](#) [6001-7071-019](#) [6002-7051-003](#) [6002-7551-202](#) [6059674-1](#) [619550-1](#)
[630059-000](#) [M39012/25-0021](#) [M39012/79-3008](#) [M39030/3-01N](#) [M39030/3-03N](#) [M3933/25-36N](#) [6500-7071-046](#) [M83723/72W24576](#)
[M83723/72W2457N](#) [6769](#) [CX050L2AQ](#) [7002-1541-010](#) [7002-1572-002](#) [7003-1572-002](#) [7010-1511-000](#) [7029-1511-060](#) [7101-1541-010](#)
[7101-1571-002](#) [7105-1521-002](#) [7145-1521-002](#) [7209-1511-011](#) [7210-1511-015](#) [7210-1511-019](#) [7225-1512-050](#) [7242-1511-000](#) [73137-5015](#)
[73251-0111](#) [73251-0672](#) [7325-1512-000](#) [73276-1501](#) [73366-0013](#) [73404-2300](#) [73413-6080](#) [73415-5721](#) [7405-1521-005](#) [7405-1521-802](#)
[7406-1521-005](#) [804S01D04M040](#) [8145-1521-002](#) [81590](#)