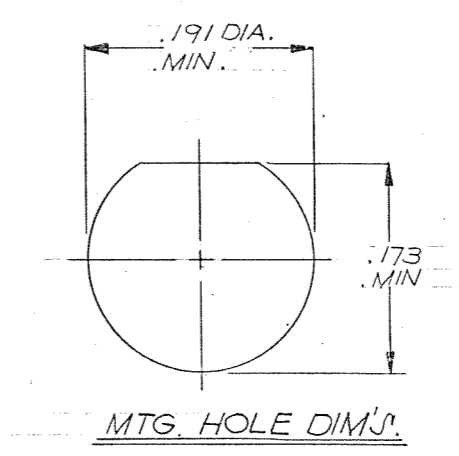
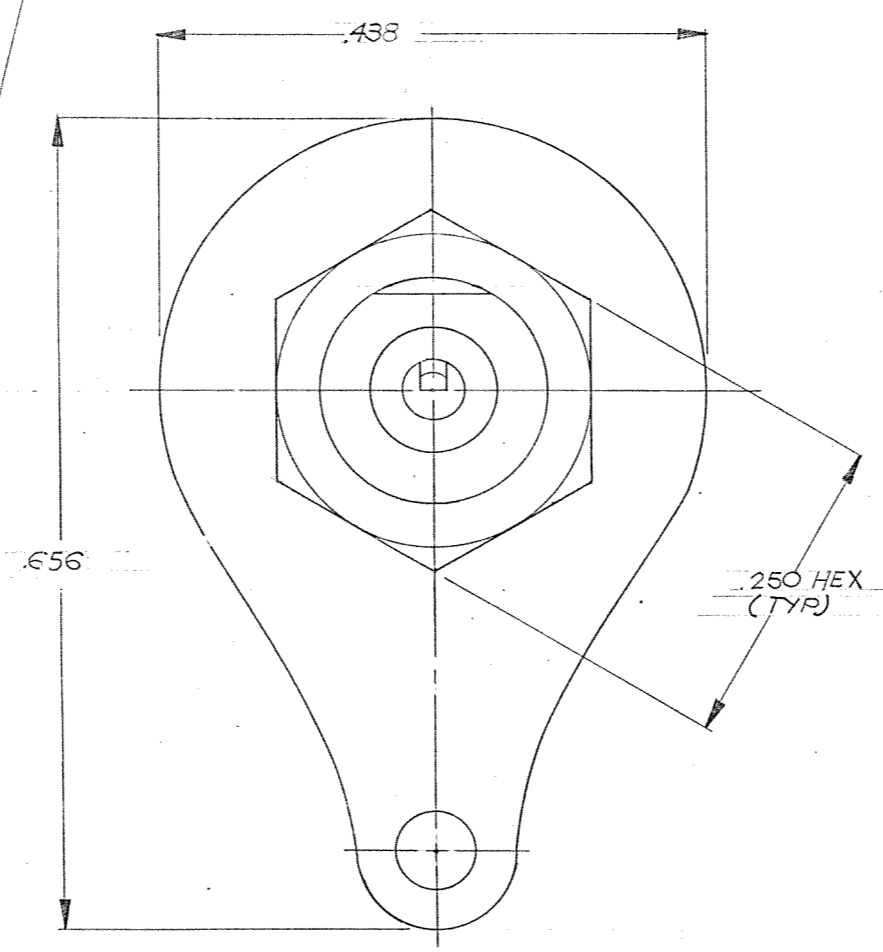
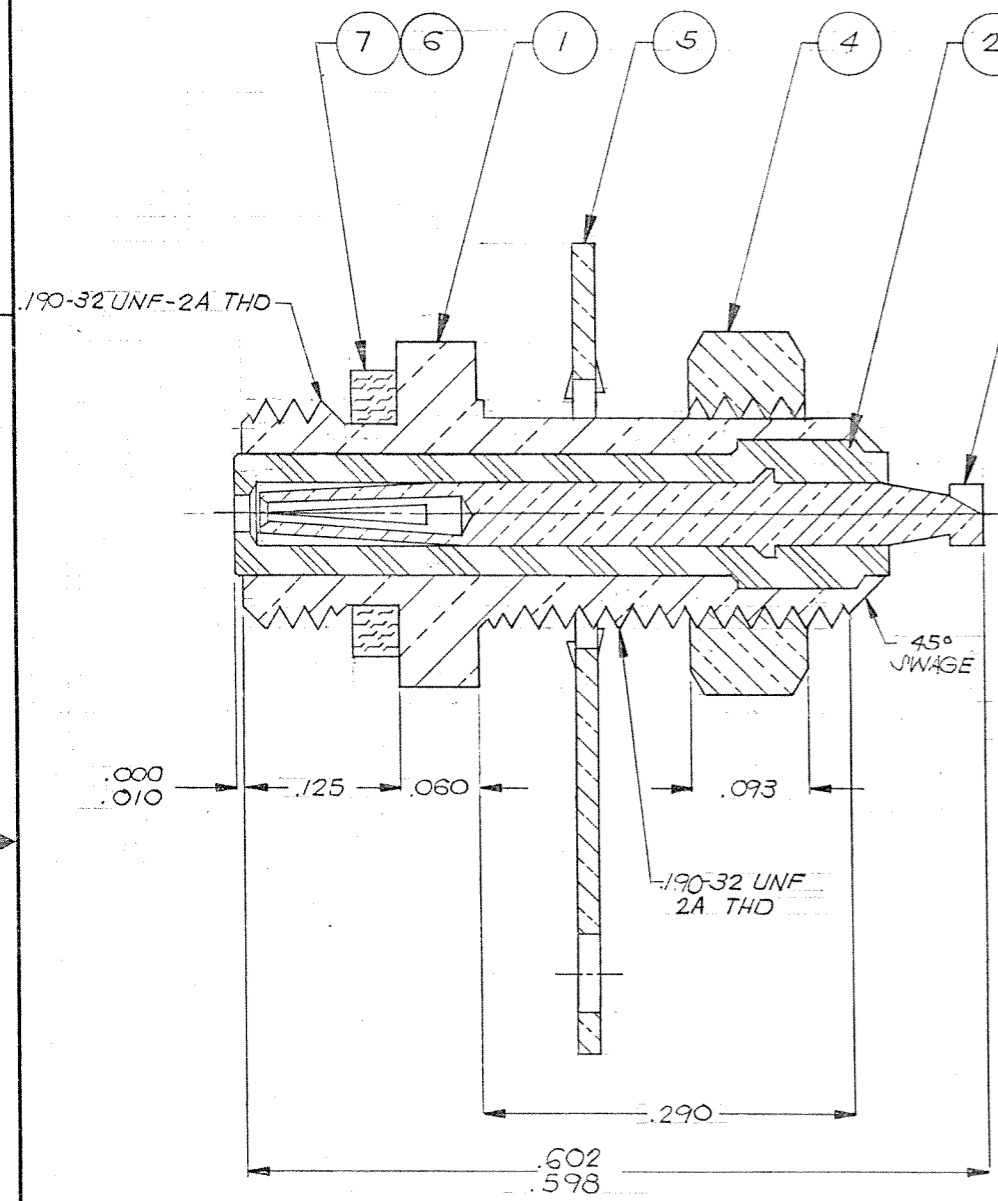


REVISIONS					
ZONE	LTR	ECN	DESCRIPTION	DATE	APPROVED
	P	28902	REVISED & REDRAWN ORIG. RELEASE BY B.T. 6-23-55	8/13/84	hy
	R	39342	UPDATE REV. LETTER	9/12/84	hy

R1 LOAD CORRECT DRAWING



TYCO CUSTOMER DWG 1466288

NOTES: UNLESS OTHERWISE SPECIFIED:

- 1. THIS CONN. MATES WITH ALL PLUGS IN SERIES J-50 AS LISTED IN MICRODOT CATALOG.
- 2. SILVER PLATE .0002" MIN. PER QQ-S-365 TYPE II, GRADE A.
- 3. GOLD PLATE PER MIL-G-45204 TYPE II, GRADE C, CLASS I.
- 4. WORKING VOLTAGE - 750 V.R.M.S.
- 5. INSULATION RESISTANCE - 5×10^9 OHMS MIN.
- 6. PANEL THICKNESS: .160 MAX.

QTY	PART NO.	DESCRIPTIONS	MAT'L & SPECIFICATIONS	ITEM NO.	
1	003-0268-0001	GASKET	SILICONE RUBBER PER ZZ-R-765, RED	7	
1	003-0268-0000	GASKET	SILICONE RUBBER PER ZZ-R-765, BLK	6	
1	003-0306-0001	SHAKEPROOF LUG	# 425 BRONZE ALLOY	5	
1	003-0009-0001	HEX NUT	BRASS PER QQ-B-626	4	
1	003-1315-0002	SOCKET CONTACT	BERYLLIUM COPPER QQ-C-530	3	
1	003-1316-0001	INSULATOR	TELFON PER L-P-403	2	
1	003-1317-0001	HOUSING	BRASS PER QQ-B-626	1	
2	1	PART NUMBERS	DESCRIPTIONS	MAT'L & SPECIFICATIONS	ITEM NO.
* No					

UNLESS OTHERWISE SPECIFIED DIMENSIONS ARE IN INCHES TOLERANCES ARE: FRACTIONS .XX ± .010 DECIMALS .XX ± .010 ANGLES ± 2°		CONTRACT NO.		MALCO A MICRODOT COMPANY, INC. 220 PASADENA AVE., SO. PASADENA, CALIF. 91030	
MATERIAL		APPROVALS		DATE	
NOTED		C. TIONGCO		7-27-84	
FINISH		CHECKED		PR. ENG.	
NOTED		hy		8/9/84	
NEXT ASSY		USED ON		APPLICATION	
				DO NOT SCALE DRAWING	
		These drawings and specifications are the property of Microdot Inc., are issued in strict confidence and shall not be divulged, be reproduced or copied, or used as the basis for the manufacture or sale of any article without written permission of Microdot Inc.		SIZE C CODE IDENT NO. 98278 DRAWING NO. 031-0050-000*	
		SCALE ~		SHEET 1 OF 1	

X-ON Electronics

Largest Supplier of Electrical and Electronic Components

Click to view similar products for [RF Connectors / Coaxial Connectors](#) category:

Click to view products by [TE Connectivity](#) manufacturer:

Other Similar products are found below :

[8915-1511-000](#) [89674-0827](#) [6001-7071-019](#) [6002-7051-003](#) [6002-7551-202](#) [6059674-1](#) [619550-1](#) [630059-000](#) [M39030/3-01N](#) [6500-7071-046](#) [6769](#) [CX050L2AQ](#) [7002-1541-010](#) [7002-1542-011](#) [7004-1512-000](#) [7009-1511-004](#) [7010-1511-000](#) [7029-1511-060](#) [7101-1541-010](#) [7101-1571-002](#) [7145-1521-002](#) [7203-1571-003](#) [7209-1511-011](#) [7210-1511-015](#) [7210-1511-019](#) [73137-5015](#) [73216-2241](#) [73404-2300](#) [7405-1521-005](#) [7405-1521-802](#) [8527](#) [8547](#) [FS11V](#) [877931](#) [8808-1511-001](#) [9049-9513-000](#) [9074-9513-000](#) [9101-9573-002](#) [910A205F](#) [9130-9573-002](#) [PL11SC-026](#) [PL375-33](#) [PL40-5](#) [PL74C-221](#) [PL75MC-217](#) [PL803-7](#) [1200690078](#) [1-201144-1](#) [R107003010W](#) [R110A172100](#)