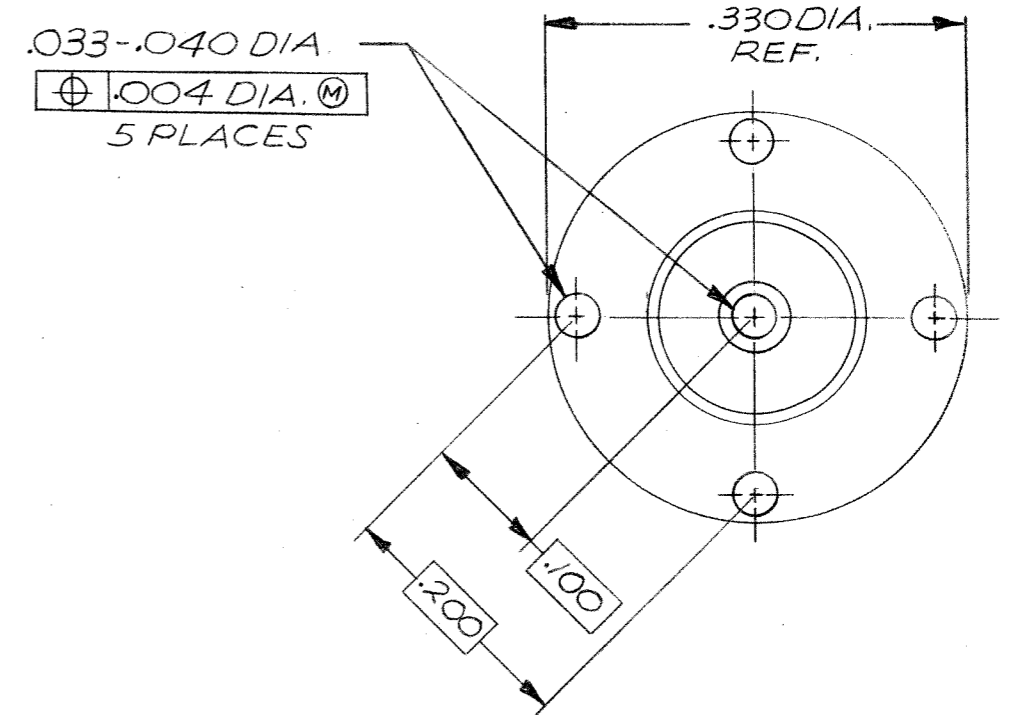
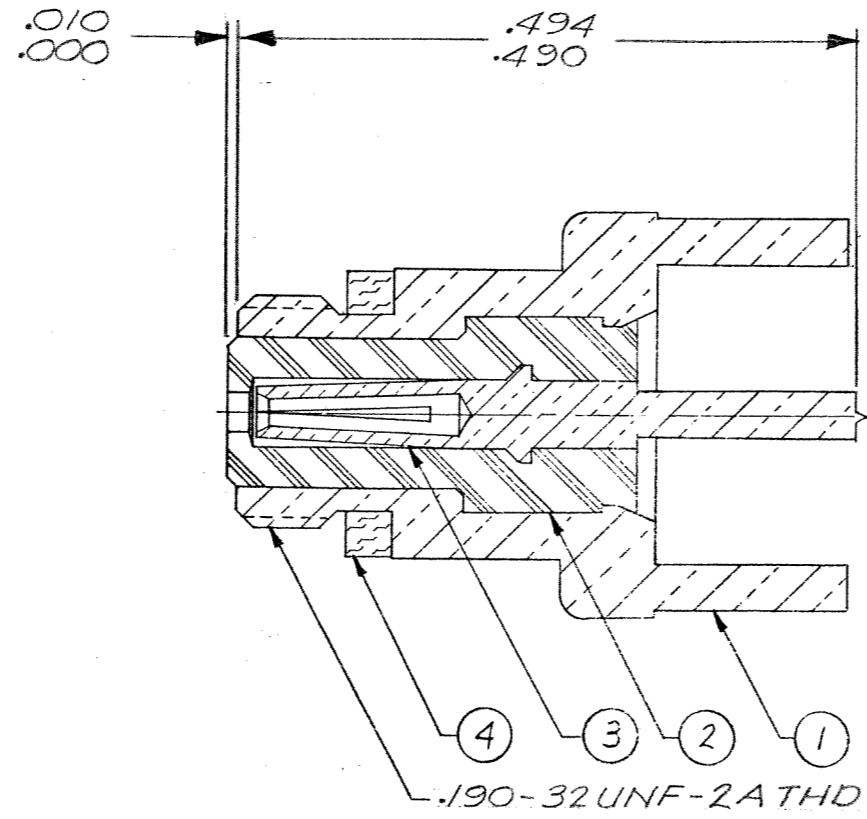


REVISIONS					
ZONE	LTR	ECN	DESCRIPTION	DATE	APPROVED
	L	24252	REVISED AND REDRAWN 7-10-77 ORIG. RELEASE 2-3-56 J.B.D./FELTS	7-11-79	J.M.H.
	M	36887	ITEM 4, WAS 003-0011-0001	3-11-97	
	N	38496	UPDATE REV. LETTER	1-22-97	



NOTES:
 1. THIS CONNECTOR MATES WITH ALL 50 SERIES SCREW-ON PLUGS AS LISTED IN MALCO CATALOG.

Tyco Dwg 1466289
 Micro P/N 03100590001

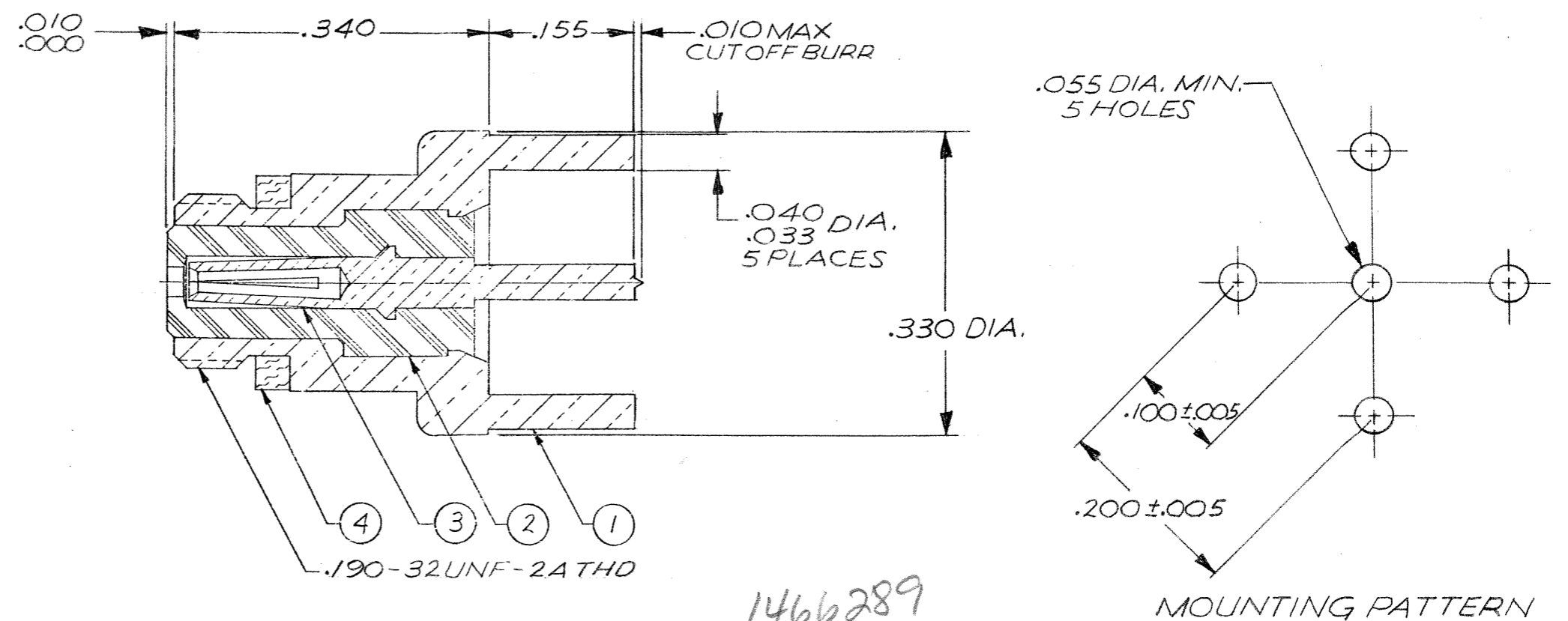
QTY REQD	CODE IDENT	PART OR IDENTIFYING NO.	DESCRIPTION	MAT'L AND SPEC.	ITEM NO.
1		003-0268-0000	GASKET	SILICONE RUBBER ZZ-R-765	4
1		003-1334-0002	CONTACT, SOCKET	BERYLLIUM COPPER, QQ-C-530	3
1		003-1332-0001	INSULATOR	TEFLON PER L-P-403	2
1		003-1327-0001	HOUSING	BRASS PER QQ-B-626	1

UNLESS OTHERWISE SPECIFIED DIMENSIONS ARE IN INCHES TOLERANCES ARE: FRACTIONS DECIMALS ANGLES ± .XX ± ± ± .XXX ± ±		CONTRACT NO.		MALCO A MICRODOT COMPANY, INC. 220 PASADENA AVE., SO. PASADENA, CALIF. 91030	PRGD. CODE 931 CODE M
MATERIAL NOTED		APPROVALS DRAWN <i>[Signature]</i> 1-31-79 CHECKED <i>[Signature]</i> 7-11-79 PR. ENG. <i>[Signature]</i> 7-11-79 APPD.			
FINISH		SIZE B CODE IDENT NO. 98278 DRAWING NO. 031-0059-0001		SCALE _____ SHEET / OF /	
NEXT ASSY		USED ON		<small>These drawings and specifications are the property of Microdot Inc. and shall not be divulged, reproduced or copied, or used as the basis for the manufacture or sale of any article without written permission of Microdot Inc.</small>	
APPLICATION		DO NOT SCALE DRAWING			

D
C
B
A

REVISIONS					
ZONE	LTR	ECN	DESCRIPTION	DATE	APPROVED
	L	24252	REVISED & REDRAWN 7-10-79 ORIG. RELEASE 2-3-56 J.R.D./FEL	7-11-79	[Signature]
	M	36837	ITEM 4, WAS 003-0011-0001	3-11-77	[Signature]
	N	38496	UPDATE REV. LETTER	1-22-77	[Signature]

D
C
B
A



- NOTES: UNLESS OTHERWISE SPECIFIED.
- THIS CONNECTOR MATES WITH ALL 50 SERIES SCREW-ON PLUGS AS LISTED IN MALCO CATALOG.
 - SILVER PLATE .0002 MIN. PER QQ-S-365, TYPE II, GRADE A.
 - GOLD PLATE PER MIL-G-45204, TYPE II, GRADE C, CLASS I.

QTY REQD	CODE IDENT	PART OR IDENTIFYING NO.	DESCRIPTION	MAT'L AND SPEC.	ITEM NO.
1		003-0268-0000	GASKET	SILICONE RUBBER, ZZ-R-765	4
1		003-1334-0000	CONTACT, SOCKET	BERYLLIUM COPPER, QQ-C-530	3
1		003-1332-0001	INSULATOR	TEFLON PER L-P-403	2
1		003-1327-0001	HOUSING	BRASS PER QQ-B-626	1

UNLESS OTHERWISE SPECIFIED DIMENSIONS ARE IN INCHES TOLERANCES ARE: FRACTIONS DECIMALS ANGLFS ± .XX ± .XXX ± .010		CONTRACT NO.		MALCO A MICRODOT COMPANY, INC. 220 PASADENA AVE., SO. PASADENA, CALIF. 91050	
MATERIAL NOTED		APPROVALS DRAWN [Signature] 1-21-79 CHECKED [Signature] 7-11-79 PR. ENG. [Signature] 7-11-79 APPD.		RECEPTACLE PRINTED CIRCUIT	
FINISH NOTED		DRAWING NO. 031-0059-0001		PROD. CODE 931 CODE CD	
NEXT ASSY		SIZE B		CODE IDENT NO. 98278	
USED ON		DRAWING NO. 031-0059-0001		SHEET / OF /	
APPLICATION		DO NOT SCALE DRAWING		SCALE	

X-ON Electronics

Largest Supplier of Electrical and Electronic Components

Click to view similar products for [RF Connectors / Coaxial Connectors](#) category:

Click to view products by [TE Connectivity](#) manufacturer:

Other Similar products are found below :

[8915-1511-000](#) [89674-0827](#) [6001-7071-019](#) [6002-7051-003](#) [6002-7551-202](#) [6059674-1](#) [619550-1](#) [630059-000](#) [M39030/3-01N](#) [6500-7071-046](#) [6769](#) [CX050L2AQ](#) [7002-1541-010](#) [7002-1542-011](#) [7004-1512-000](#) [7009-1511-004](#) [7010-1511-000](#) [7029-1511-060](#) [7101-1541-010](#) [7101-1571-002](#) [7105-1521-002](#) [7145-1521-002](#) [7203-1571-003](#) [7209-1511-011](#) [7210-1511-015](#) [7210-1511-019](#) [73137-5015](#) [73216-2241](#) [73404-2300](#) [7405-1521-005](#) [7405-1521-802](#) [8527](#) [8547](#) [FS11V](#) [877931](#) [8808-1511-001](#) [9074-9513-000](#) [9101-9573-002](#) [910A205F](#) [9130-9573-002](#) [PL11SC-026](#) [PL375-33](#) [PL40-5](#) [PL74C-221](#) [PL75MC-217](#) [PL803-7](#) [1200690078](#) [1-201144-1](#) [R107003010W](#) [R110A172100](#)