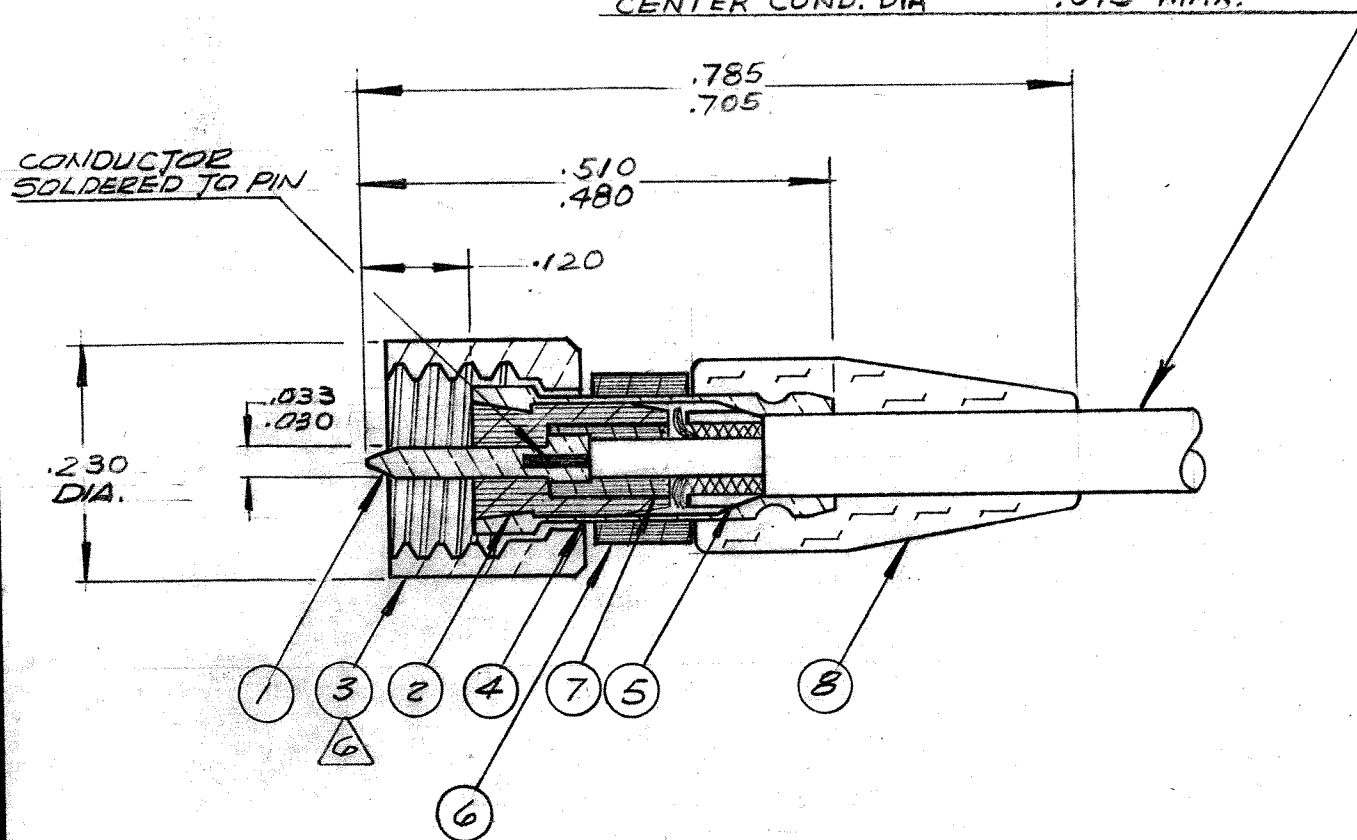


CABLE ACCEPTANCE DIMS.  
 JACKET DIA. .087 MAX.  
 SHIELD DIA. .061 MAX.  
 DIELECTRIC DIA. .041 MAX.  
 CENTER COND. DIA. .015 MAX.



Tyco Dwg 1466293  
 Micro P/N 032-0023-0001

1	003-0270-0000	B.R. CAP (BLACK)	SILICONE RUBBER, ZZ-R-765		8
1	003-0153-0001	INSULATOR	TEFLON, PER L-P-403		7
1	003-0597-0001	PIN PROTECTOR	TEFLON, PER L-P-403		6
1	003-0163-0001	CLAMP RING	BRASS, PER QQ-B-626	4	5
1	003-0160-0001	FERRULE	BRASS, PER QQ-B-626	4	4
1	003-0029-0001	NUT	BRASS, PER QQ-B-626	4	3
1	003-0205-0001	INSULATOR	TEFLON, PER L-P-403		2
1	003-0360-0002	PIN	BRASS PER QQ-B-626	5	1
QTY	PART NO.	NOMENCLATURE	MAT'L & SPEC.	FINISH	ITEM

- 7. 032-0023-0001 SAME AS 032-0023-1
  - 6 MALE DIAMOND KNURL.
  - 5 GOLD PLATE PER MIL-G-45204, TYPE II, GRADE C, CLASS 1
  - 4 SILVER PLATE .0002 MIN. PER QQ-S-365, TYPE II, GRADE A.
  - 3. MALCO ASSEMBLY TOOL 010-0003-0000 REQ'D.
  - 2. FOR ASSY INSTR. SEE RF-ASMB-89.
  - 1. THIS CONNECTOR MATES WITH ALL S-50 JACKS & RECEPTACLES AS LISTED IN MALCO CATALOG.
- NOTES: UNLESS OTHERWISE SPECIFIED

STANDARD TOLERANCES UNLESS OTHERWISE SPECIFIED DEC. ± .010 FRAC. ± 1/32 ANGLES ± ECCENTRICITY MAX. T.I.R. HOLE DIA. ± SURFACE ROUGHNESS MICRO INCHES THREADS TO MIL-S-7742 COMMERCIAL TOLERANCES APPLY TO STOCK DIMENSIONS		<b>MALCO</b> A MICRODOT COMPANY, INC. 220 PASADENA AVE., SO. PASADENA, CAL	
AA 386/39 UPDATE REV. LETTER PS 2/19 PS		SURFACE TREATMENT NOTED	
Z 2532 ITEM 8, WAS 003-0031-0000 B D 2/19 PS		MATERIAL NOTED	
Y 2370 TOLERANCE CORRECTED. .785, .705 WAS .760/.715, .230 DIA. WAS .240 DIA. 2/19 PS		APP G.P.F. APP. CHECKED BY C.E.H. DRAWN BY M.F.M.	
W 2148 DIMENSIONS, NOTES & MAT'L SPECS UPDATED. 10/12 76 PS		SCALE WT DATE 931 2 5/12/54	
V 1614 REV. LETTER UP-DATED 2/19 PS		DRAWING NUMBER 032-0023-0001	
T 6073 COMPONENT NO UP-DATED 6/16 2/19 PS		CODE CDM	
S 597 REDRAWN, PART NO. UPDATED 2/19 PS		PLUG STRAIGHT S-50	
ASSEMBLY NO REQ'D	LET ECO	REVISION DESCRIPTION	BY DATE APP
NEXT ASSEMBLIES			

## X-ON Electronics

Largest Supplier of Electrical and Electronic Components

*Click to view similar products for [RF Connectors](#) / [Coaxial Connectors](#) category:*

*Click to view products by [TE Connectivity](#) manufacturer:*

Other Similar products are found below :

[8915-1511-000](#) [89674-0827](#) [6001-7071-019](#) [6002-7051-003](#) [6002-7551-202](#) [6059674-1](#) [619550-1](#) [630059-000](#) [M39030/3-01N](#) [6500-7071-046](#) [6769](#) [CX050L2AQ](#) [7002-1541-010](#) [7002-1542-011](#) [7004-1512-000](#) [7009-1511-004](#) [7010-1511-000](#) [7029-1511-060](#) [7101-1541-010](#) [7101-1571-002](#) [7145-1521-002](#) [7203-1571-003](#) [7209-1511-011](#) [7210-1511-015](#) [7210-1511-019](#) [73137-5015](#) [73216-2241](#) [73404-2300](#) [7405-1521-005](#) [7405-1521-802](#) [8527](#) [8547](#) [FS11V](#) [877931](#) [8808-1511-001](#) [9074-9513-000](#) [9101-9573-002](#) [910A205F](#) [9130-9573-002](#) [PL11SC-026](#) [PL375-33](#) [PL40-5](#) [PL74C-221](#) [PL75MC-217](#) [PL803-7](#) [1200690078](#) [1-201144-1](#) [R107003010W](#) [R110A172100](#) [R112186000](#)