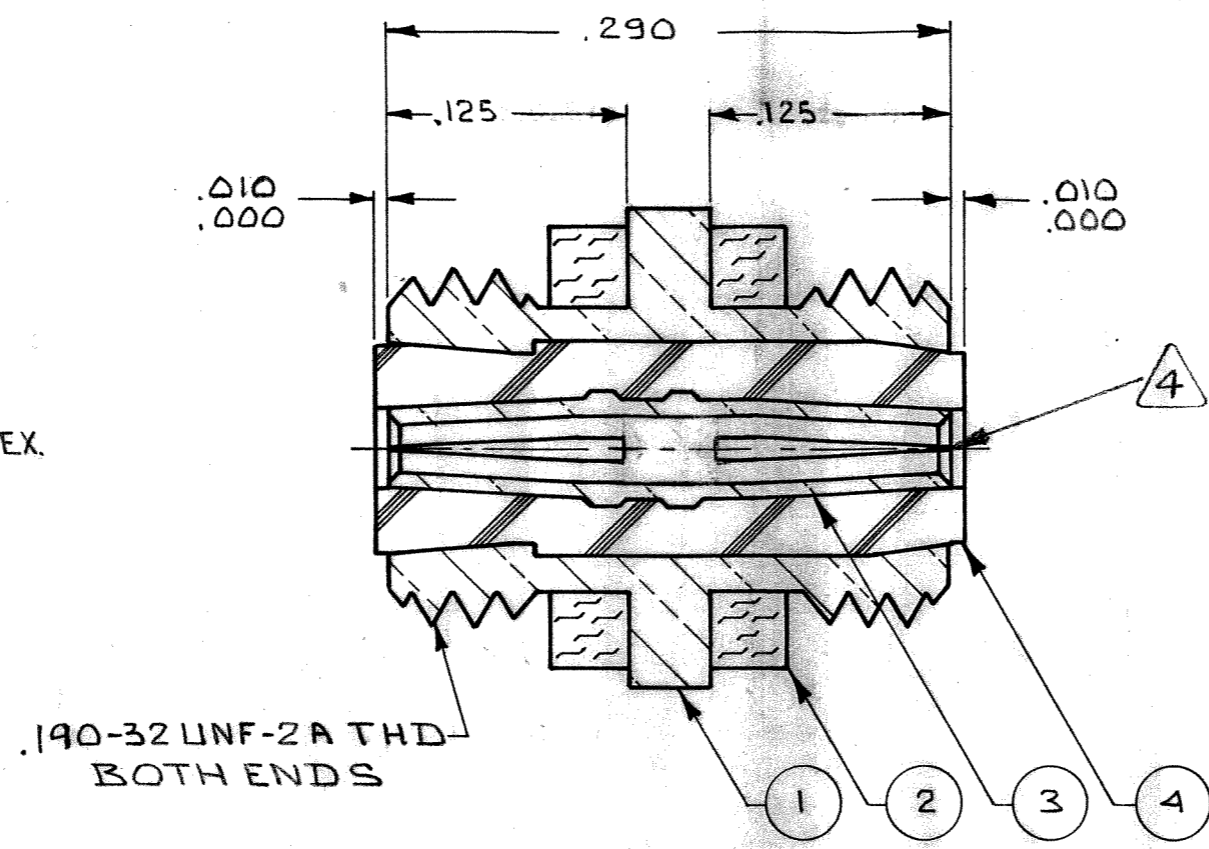
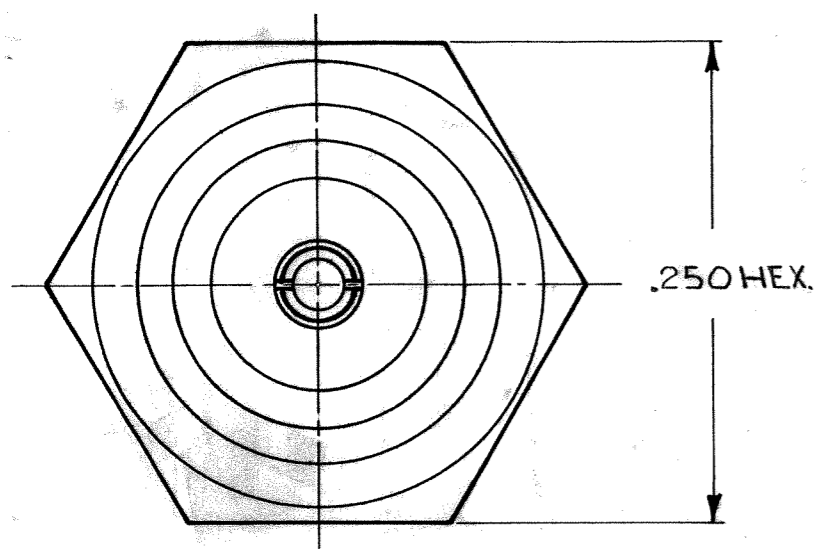


REVISIONS

SYM	ECN	DESCRIPTION	DATE	APPROVED
L		REVISED & REDRAWN ECO 13193	6/10/71	[Signature]
M	24246	REDESIGN SOCKET CONFIG. ADD Δ . BERYLLIUM COPPER PER QQ-C-530 WAS COIN SILVER MIL-B-13282 .125 WAS .125 \pm .005	4/4/79	R.M.
N	38487	UPDATE REV. LETTER		[Signature]



Tyco Dwg 1466294
Micro P/N 03300010001

- NOTES: UNLESS OTHERWISE SPECIFIED
1. THIS CONNECTOR MATES WITH ALL 50 SERIES SCREW ON TYPE PLUGS AS LISTED IN MALCO CATALOG (BOTH ENDS)
 - Δ SILVER PLATE .0002 MIN. PER QQ-S-365, TYPE II, GRADE A.
 - Δ GOLD PLATE PER MIL-G-45204, TYPE II, GRADE C, CLASS I.
 - Δ CONTACT TO BE FLUSH WITH OR RECESSED FROM FACE BOTH ENDS.

PLATE	QTY. REQD.	PART NO.	NOMENCLATURE OR DESCRIPTION	MATERIAL & SPECIFICATION	ITEM NO.
	1	000-0301-0062	INSULATOR	TEFLON PER L-P-403	4
Δ 3	1	003-0013-0002	SOCKET CONTACT	BERYLLIUM COPPER PER QQ-C-530	3
	2	003-0011-0001	GASKET	NEOPRENE PER MIL-R-3065	2
Δ 2	1	000-1601-0152	HOUSING	BRASS PER QQ-B-626	1

LIST OF MATERIAL OR PARTS LIST

UNLESS OTHERWISE SPECIFIED		DRAWN	<i>m form</i>	426-53	MALCO A MICRODOT COMPANY, INC. 220 PASADENA AVE., SO. PASADENA, CALIF. 9103	ADAPTER PROD CODE 931		
DIMENSIONS ARE IN INCHES		CHECK						
TOLERANCES		PR. ENG.	<i>[Signature]</i>					
DECIMALS FRACTIONS		CHF. ENG.						
.XX \pm		MATERIAL NOTED			SIZE	CODE IDENT.	CODE	033-0001-0001
.XXX \pm .010		SURFACE TREATMENT NOTED			B	NO. 98278	CDM	
.XXXX \pm		SURFACE ROUGHNESS		\checkmark	SCALE 10X		WT	SHEET 1 OF 1
ANGLES \pm 2 $^\circ$		TOP ASSY.		DO NOT SCALE THIS DWG				

X-ON Electronics

Largest Supplier of Electrical and Electronic Components

Click to view similar products for [RF Adapters - In Series](#) category:

Click to view products by [TE Connectivity](#) manufacturer:

Other Similar products are found below :

[5916-1103-603](#) [5918-1103-000](#) [5919-1503-000](#) [651A505](#) [82-5552](#) [9030-9523-502](#) [PN2C](#) [A0407000](#) [R114703000W](#) [R125704000](#)
[R125771001](#) [R141710000W](#) [R141723161](#) [R141730000](#) [R143730700](#) [R143770000](#) [R161703000W](#) [R161753000W](#) [R161791530W](#)
[R201705000](#) [R222705200](#) [R222M40010W](#) [R316754000](#) [R405006000](#) [R443162000](#) [AD78TL](#) [HRM-513S](#) [1996352-2](#) [2157155-1](#) [252169-75](#)
[AD158](#) [2101130-1](#) [252186](#) [R114704000W](#) [R114720000W](#) [R125705001](#) [R125705701](#) [R125771000](#) [R125771001W](#) [R127704001](#)
[R127.870.001](#) [R127872001](#) [R141717000](#) [R142710000](#) [R142723000](#) [R143703000](#) [R143704000](#) [R143705700](#) [R161715000W](#) [R161771000W](#)