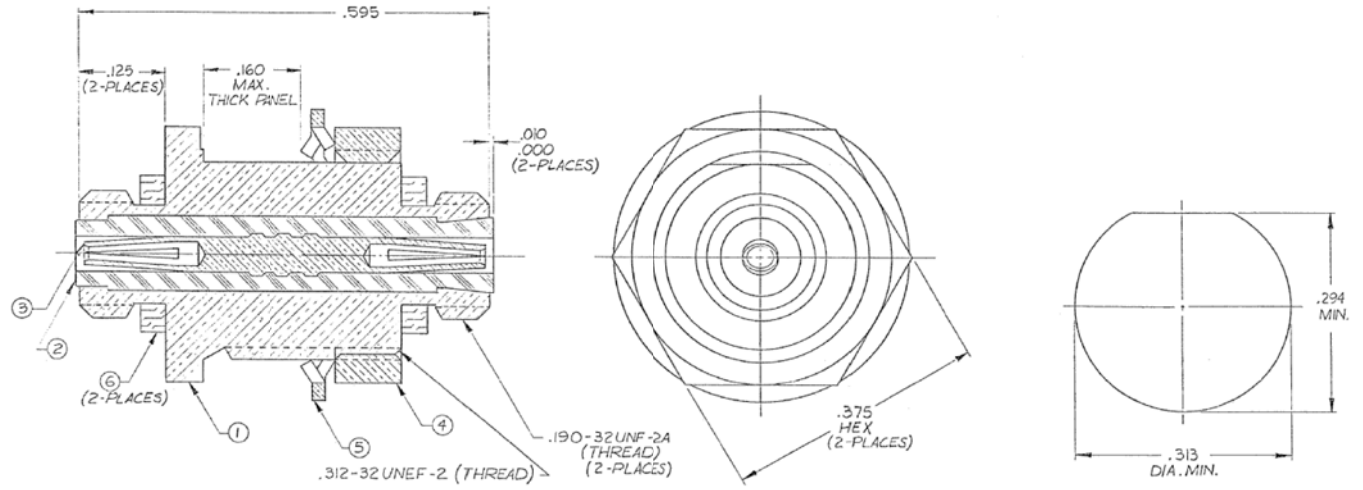


THIS DRAWING IS UNPUBLISHED. RELEASED FOR PUBLICATION  
 © COPYRIGHT BY TYCO ELECTRONICS CORPORATION. ALL RIGHTS RESERVED.

LOC	DIST	REVISIONS			
P	LTR	DESCRIPTION	DATE	OWN	APPD
	R1	DRAWING MAINTENANCE	12-16-05	JDM	MKS

REVISIONS					
ZONE	LTR	ECN	DESCRIPTION	DATE	APPROVED
N	26025		REV. & REDRAWN. ORIGINAL RELEASE 1-28-56 BY J.B.D. & S.P.R.	8-21-51	[Signature]
P	28326		ITEM 5 MATL WAS: PHOSPHOR BRONZE QQ-B-750	11-15-54	[Signature]
R	40169		GASKET WAS: 003-0211-0001	1/1/55	[Signature]
R1			SEE TYCO TITLE BLOCK		



NOTES: UNLESS OTHERWISE SPECIFIED  
 1. THIS CONNECTOR MATES WITH ALL SCREW-ON PLUGS IN S-50 SERIES AS LISTED IN MALCO CATALOG.  
 ⚠ SILVER PLATE .0002 MIN PER QQ-S-365, TYPE II, GRADE A.  
 ⚠ GOLD PLATE PER MIL-6-45204, TYPE II, GRADE C, CLASS I.

QTY REQD	FINISH	PART OR IDENTIFYING NO.	DESCRIPTION	MATERIAL & SPECIFICATION	ITEM
2		003-0268-0000	GASKET	SILICONE PER ZZ-R-765	6
1		003-0258-0001	LOCKWASHER	# 425 BRONZE ALLOY	5
1		003-0209-0001	NUT, HEX	BRASS PER QQ-B-626	4
1		000-0201-0050	CONTACT, SOCKET	BERYLLIUM COPPER PER QQ-C-530	3
1		003-0222-0001	INSULATOR	TEFLON PER L-P-403	2
1		003-0221-0001	HOUSING	BRASS PER QQ-B-626	1

UNLESS OTHERWISE SPECIFIED DIMENSIONS ARE IN INCHES TOLERANCES ARE:			CONTRACT NO.		MALCO A MICRODOT COMPANY, INC. 300 PASADENA AVE., SO. PASADENA, CALIF. 91303
FRACTIONS	DECIMALS	ANGLES	APPROVALS	DATE	
XX =	XXX =	0.10	DRAWN: [Signature]	9-12-81	ADAPTER - BULKHEAD FEED-THRU
			CHKD: [Signature]	8-20-81	
			PR. ENG: [Signature]	8-21-81	
MATERIAL			APPROD.		PROD. CODE 931
FINISH					CODE CDM
NEXT ASSY			SIZE		CODE IDENT NO.
USED ON			C		98278
APPLICATION			DRAWING NO.		033-0053-0001
DO NOT SCALE DRAWING			SCALE		1 X 1
			SHEET		1 OF 1

DIMENSIONS:		TOLERANCES UNLESS OTHERWISE SPECIFIED:		THIS DRAWING IS A CONTROLLED DOCUMENT.		OWN		Tyco Electronics Corporation	
INCHES		0 PLC ± .005		D. MORALES 12-16-05		CHK		Harrisburg, PA 17105-3608	
⊕		1 PLC ± .005		M. STORRY 12-16-05		NAME		ADAPTER-BULKHEAD, FEED-THRU	
		2 PLC ± .005		M. STORRY 12-16-05		PRODUCT SPEC		MICRODOT P/N 033-0053-0001	
		3 PLC ± .010				APPLICATION SPEC		TYCO P/N 1466295-1	
		4 PLC ± .010				SIZE		A2	
		ANGLES ± .5				CAGE CODE		98278	
MATERIAL		FINISH		WEIGHT		DRAWING NO.		1466295	
						CUSTOMER DRAWING		SCALE NONE	
				SHEET		1 OF 1		REV R1	

## X-ON Electronics

Largest Supplier of Electrical and Electronic Components

*Click to view similar products for [RF Adapters - In Series](#) category:*

*Click to view products by [TE Connectivity](#) manufacturer:*

Other Similar products are found below :

[5916-1103-603](#) [5918-1103-000](#) [5919-1503-000](#) [651A505](#) [82-5552](#) [9030-9523-502](#) [PN2C](#) [A0407000](#) [R114703000W](#) [R125771001](#)  
[R141710000W](#) [R141723161](#) [R141730000](#) [R143730700](#) [R143770000](#) [R161703000W](#) [R161753000W](#) [R161791530W](#) [R201705000](#)  
[R222705200](#) [R222M40010W](#) [R223703180](#) [R316754000](#) [R405006000](#) [R443162000](#) [AD78TL](#) [HRM-513S](#) [1996352-2](#) [2157155-1](#) [252169-75](#)  
[AD158](#) [2101130-1](#) [252186](#) [R114704000W](#) [R114720000W](#) [R125705001](#) [R125705701](#) [R125771000](#) [R125771001W](#) [R127704001](#)  
[R127.870.001](#) [R127872001](#) [R141717000](#) [R142710000](#) [R142723000](#) [R143703000](#) [R143704000](#) [R143705700](#) [R161715000W](#) [R161771000W](#)