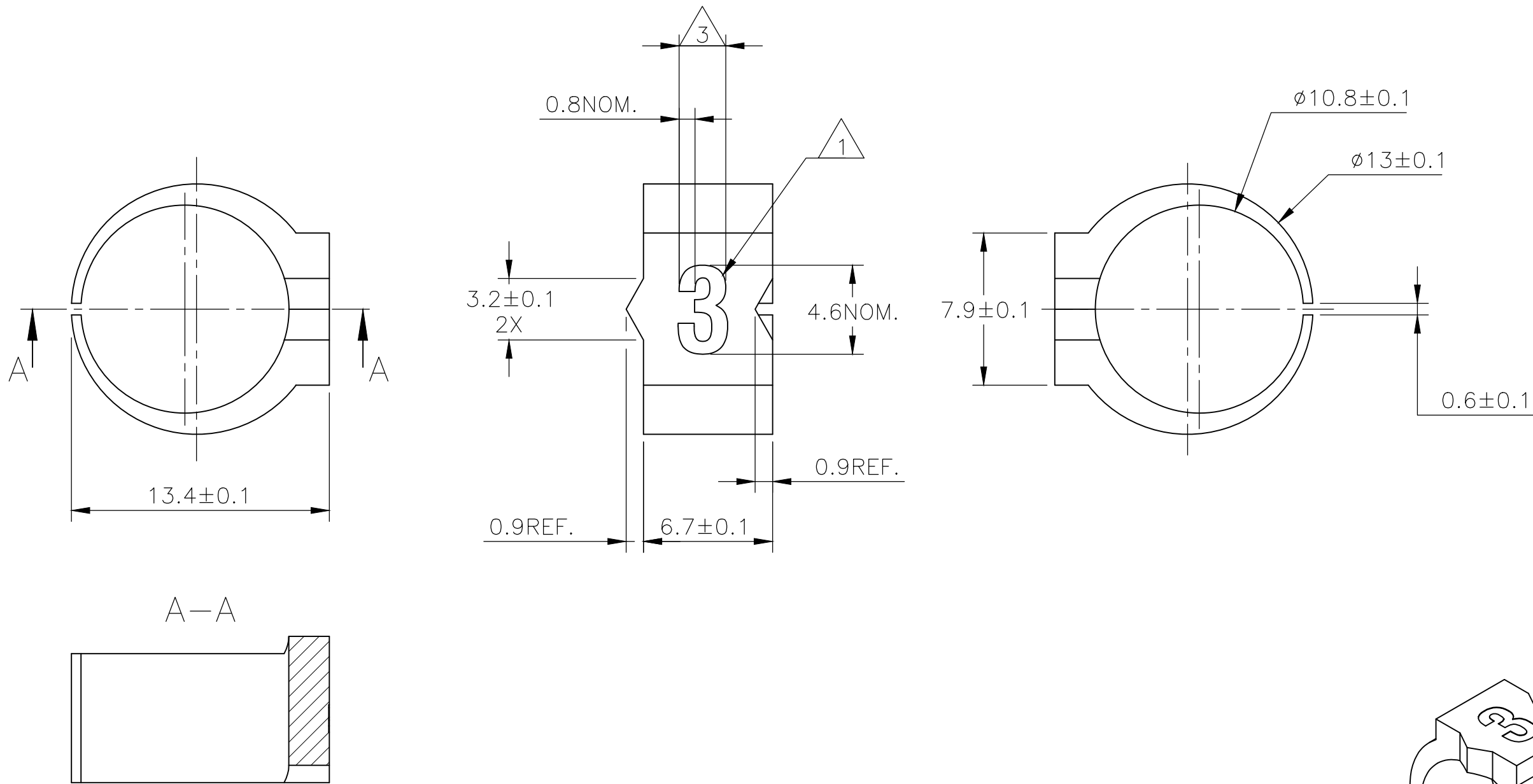



P	LTR	DESCRIPTION	DATE	DWN	APVD
	3	REVISED PER ECR-20-010947	04AUG2020	GK	AK

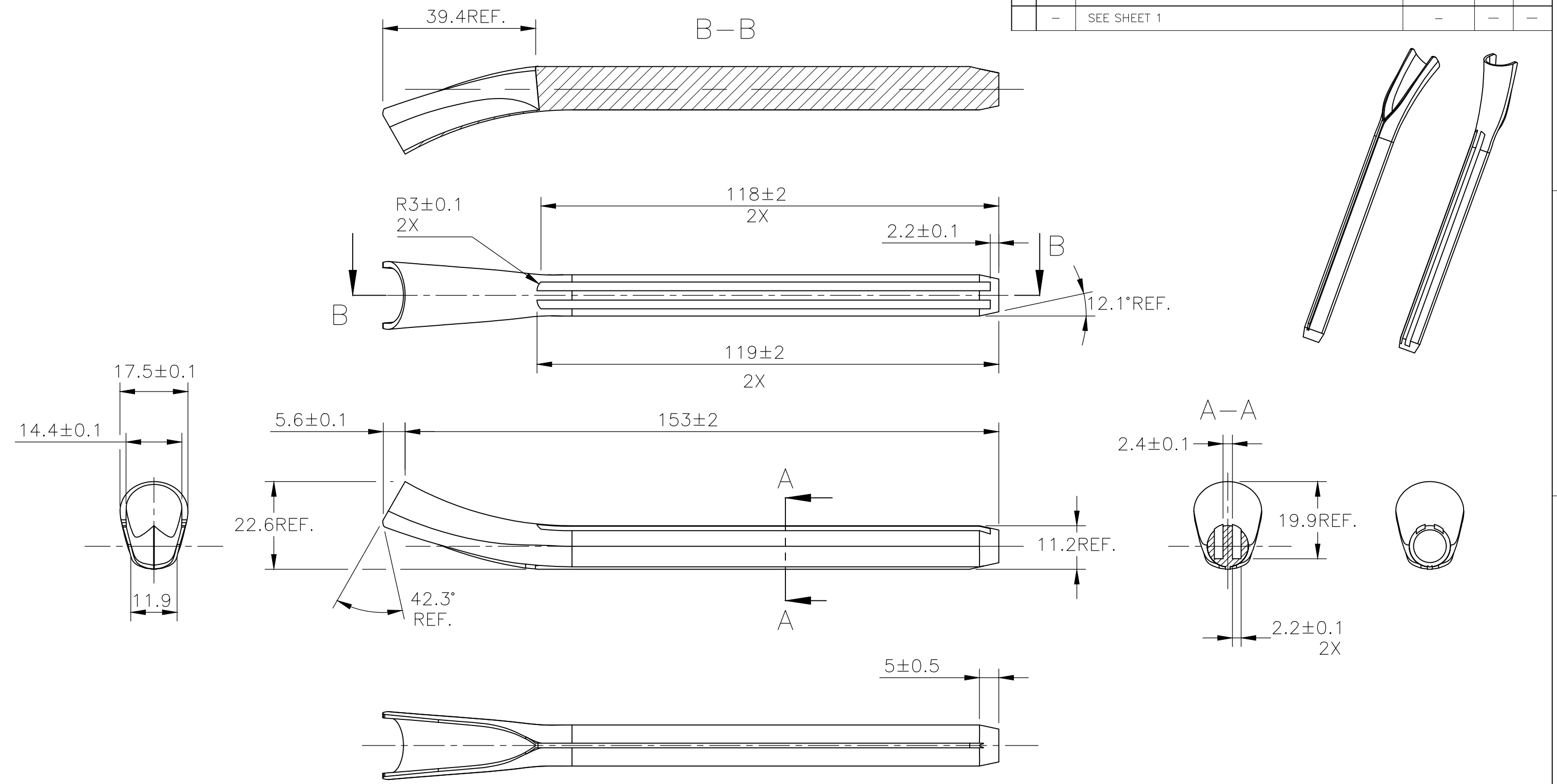


NOTES:

- 1 FOR PART NUMBERS SEE SHEET 3 OF 3.
- 2 MARK SHOULD BE CENTRALLY POSITIONED  $\pm 0.1$  mm
- 3 WIDTH OF MARK DEPENDS ON CHARACTER PRINTED

THIS DRAWING IS A CONTROLLED DOCUMENT.		DWN RAGHAVENDRA K 25MAR2013	 TE Connectivity														
DIMENSIONS: mm		CHK KEAN ALAN 25MAR2013															
TOLERANCES UNLESS OTHERWISE SPECIFIED:		APVD MARIO APPELLO 25MAR2013	NAME SNAP-ON MARKER STB/STD SIZE 21 WITH APPLICATOR														
<table border="1"> <tr> <td>0 PLC</td> <td><math>\pm -</math></td> </tr> <tr> <td>1 PLC</td> <td><math>\pm -</math></td> </tr> <tr> <td>2 PLC</td> <td><math>\pm -</math></td> </tr> <tr> <td>3 PLC</td> <td><math>\pm -</math></td> </tr> <tr> <td>4 PLC</td> <td><math>\pm -</math></td> </tr> <tr> <td>ANGLES</td> <td><math>\pm -</math></td> </tr> </table>		0 PLC	$\pm -$	1 PLC	$\pm -$	2 PLC	$\pm -$	3 PLC	$\pm -$	4 PLC	$\pm -$	ANGLES	$\pm -$	PRODUCT SPEC	-		
0 PLC	$\pm -$																
1 PLC	$\pm -$																
2 PLC	$\pm -$																
3 PLC	$\pm -$																
4 PLC	$\pm -$																
ANGLES	$\pm -$																
MATERIAL		APPLICATION SPEC	-														
FINISH		WEIGHT	SIZE	CAGE CODE	DRAWING NO	RESTRICTED TO											
-		-	A3	C2290	C-1768047-5	-											
CUSTOMER DRAWING			SCALE	SHEET	REV												
			NTS	1 OF 3	3												

REVISIONS					
P	LTR	DESCRIPTION	DATE	DWN	APVD
-	-	SEE SHEET 1	-	-	-



THIS DRAWING IS A CONTROLLED DOCUMENT.		DWN RAGHAVENDRA K 25MAR2013	<b>STE</b> TE Connectivity		
DIMENSIONS: mm		CHK KEAN ALAN 25MAR2013			
TOLERANCES UNLESS OTHERWISE SPECIFIED:		APVD MARIO APPELLO 25MAR2013	NAME SNAP-ON MARKER STB/STD SIZE 21 WITH APPLICATOR		
0 PLC ± -		PRODUCT SPEC	-		
1 PLC ± -		APPLICATION SPEC	-		
2 PLC ± -		WEIGHT	-		
3 PLC ± -		CUSTOMER DRAWING	SIZE A3	CAGE CODE C2290	DRAWING NO G-1768047-5
4 PLC ± -		MATERIAL	RESTRICTED TO		
ANGLES ± -		FINISH	SCALE NTS	SHEET 2 OF 3	REV 3

REVISIONS


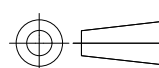
P	LTR	DESCRIPTION	DATE	DWN	APVD
	-	SEE SHEET 1	-	-	-

DESCRIPTION	PART NO.
STB21-BLANK-0	5-1768040-0
STB21-BLANK-2	5-1768040-2
STB21-BLANK-6	5-1768040-5
STB21-BLANK-8	5-1768040-7
STD21-APPLICATOR	1768047-5
STD21W-0	1768047-6
STD21W-1	303184-000
STD21W-2	563918-000
STD21W-3	884468-000
STD21W-4	666714-000
STD21W-5	263556-000
STD21W-6	557678-000
STD21W-7	375434-000
STD21W-8	871050-000
STD21W-9	025278-000
STD21W-A	138262-000
STD21W-B	846224-000
STD21W-BLANK	1768047-9
STD21W-C	315560-000
STD21W-D	937516-000
STD21W-DOT	1-1768047-2
STD21W-E	398254-000
STD21W-EARTH	1-1768047-3
STD21W-F	150770-000
STD21W-G	415068-000
STD21W-H	872820-000
STD21W-I	091456-000
STD21W-J	210862-000

DESCRIPTION	PART NO.
STD21W-K	236972-000
STD21W-L	144498-000
STD21W-M	151926-000
STD21W-MINUS	2-1768047-0
STD21W-N	148398-000
STD21W-P	852494-000
STD21W-PLUS	2-1768047-3
STD21W-Q	085934-000
STD21W-R	962458-000
STD21W-S	251560-000
STD21W-SLASH	764286-000
STD21W-T	650510-000
STD21W-U	461542-000
STD21W-V	023470-000
STD21W-W	034464-000
STD21W-X	316680-000
STD21W-Y	882830-000
STD21W-Z	475522-000
STD21Y-0	2-1768047-5
STD21Y-1	2-1768047-6
STD21Y-2	2-1768047-7
STD21Y-3	2-1768047-8
STD21Y-4	2-1768047-9
STD21Y-5	3-1768047-0
STD21Y-6	3-1768047-1
STD21Y-7	3-1768047-2
STD21Y-8	3-1768047-3
STD21Y-9	3-1768047-4

DESCRIPTION	PART NO.
STD21Y-A	3-1768047-5
STD21Y-B	3-1768047-8
STD21Y-BLANK	3-1768047-9
STD21Y-C	4-1768047-1
STD21Y-D	4-1768047-3
STD21Y-DOT	4-1768047-5
STD21Y-E	4-1768047-6
STD21Y-EARTH	4-1768047-7
STD21Y-F	4-1768047-9
STD21Y-G	5-1768047-1
STD21Y-H	5-1768047-3
STD21Y-I	5-1768047-5
STD21Y-J	5-1768047-6
STD21Y-K	5-1768047-7
STD21Y-L	5-1768047-9
STD21Y-M	6-1768047-1
STD21Y-MINUS	6-1768047-2
STD21Y-N	6-1768047-4
STD21Y-P	6-1768047-6
STD21Y-PLUS	6-1768047-7
STD21Y-Q	6-1768047-8
STD21Y-R	6-1768047-9
STD21Y-S	7-1768047-1
STD21Y-SLASH	7-1768047-2
STD21Y-T	7-1768047-3
STD21Y-U	7-1768047-4
STD21Y-V	7-1768047-5
STD21Y-W	7-1768047-6
STD21Y-X	7-1768047-7

DESCRIPTION	PART NO.
STD21Y-Y	7-1768047-8
STD21Y-Z	7-1768047-9
STB21-2-2	4-1768040-4
STB21-BLANK-3	5-1768040-3
STD21W-COLON	094158-000
STD21Y-AC	3-1768047-6
STD21Y-COLON	4-1768047-2

THIS DRAWING IS A CONTROLLED DOCUMENT.		DWN RAGHAVENDRA K 25MAR2013	 <b>TE Connectivity</b>			
DIMENSIONS: mm		CHK KEAN ALAN 25MAR2013				
TOLERANCES UNLESS OTHERWISE SPECIFIED:		APVD MARIO APPELLO 25MAR2013	NAME SNAP-ON MARKER STB/STD SIZE 21 WITH APPLICATOR			
		PRODUCT SPEC	-			
0 PLC ± - 1 PLC ± - 2 PLC ± - 3 PLC ± - 4 PLC ± - ANGLES ± -		APPLICATION SPEC	-			
MATERIAL		WEIGHT	SIZE	CAGE CODE	DRAWING NO	RESTRICTED TO
-		-	A3	C2290	C-1768047-5	-
CUSTOMER DRAWING			SCALE	SHEET	REV	
			NTS	3 OF 3	3	

## X-ON Electronics

Largest Supplier of Electrical and Electronic Components

*Click to view similar products for [Wire Labels & Markers](#) category:*

*Click to view products by [TE Connectivity](#) manufacturer:*

Other Similar products are found below :

[89078GBEST](#) [89082GBESR](#) [89082GBEST](#) [PCL025-4](#) [5761-2SF](#) [58400](#) [586R734H02](#) [M1.040.0000.6](#) [CRS-CM5M](#) [CRS-M18M](#) [CS1836-000](#) [CS8626-000](#) [CU6337-000](#) [CU6342-000](#) [CU6343-000](#) [CWD01-0](#) [CWD012-0](#) [CWD012-7](#) [CWD015-3](#) [CWD015-7](#) [CWD02-0](#) [CWD02-3](#) [CWD02-4](#) [CWD02-6](#) [CWD02-8](#) [CWD02-A](#) [CWD02-D](#) [CWD02-H](#) [CWD02-K](#) [CWD02-L](#) [CWD02-M](#) [CWD02-P](#) [CWD02-Q](#) [CWD02-R](#) [CWD02-U](#) [CWD02-W](#) [CWD02-Y](#) [CWD03-+](#) [CWD03-0](#) [CWD03-P](#) [CWD06-0](#) [CWD06-8](#) [CWD06-9](#) [CWD06-L](#) [CWD06-N](#) [CWD09-0](#) [CWD09-5](#) [CWD09-7](#) [6806810001](#) [CZ2857-000](#)