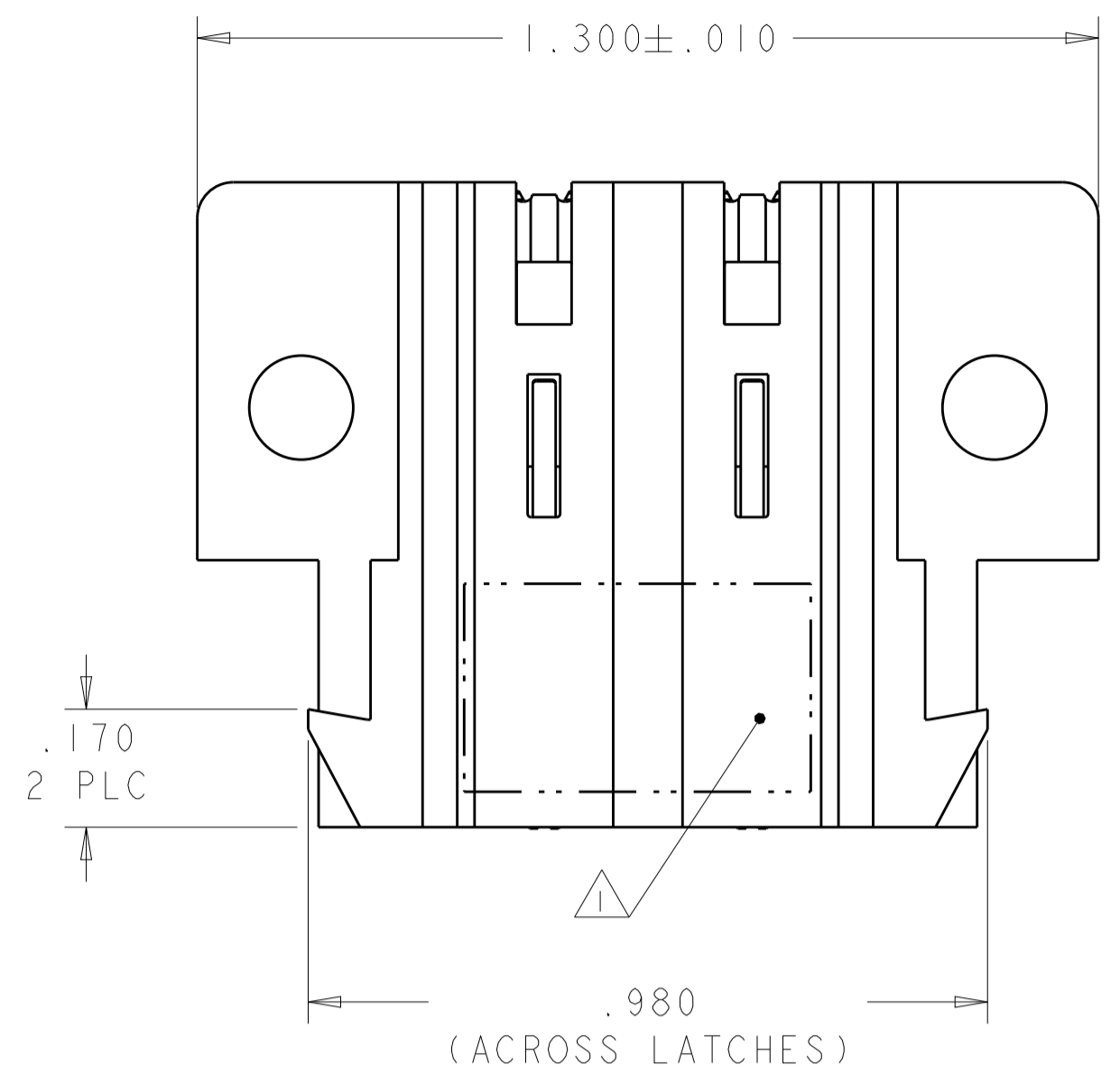
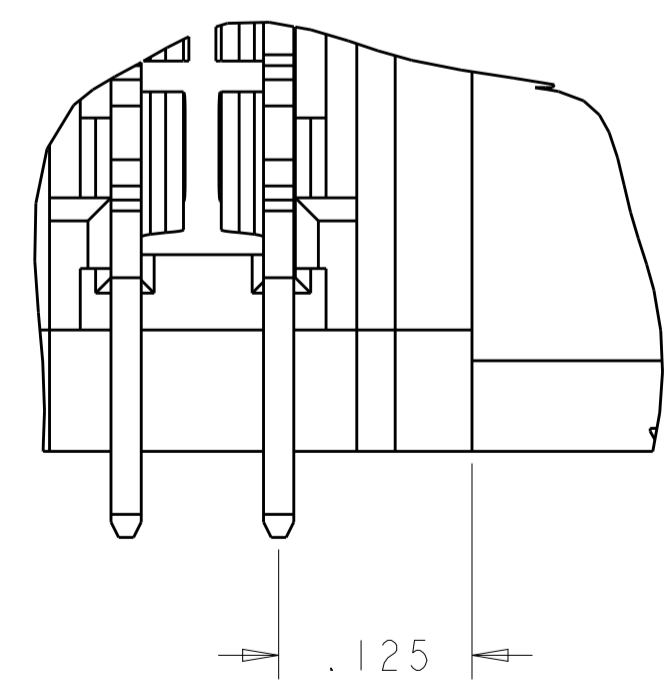
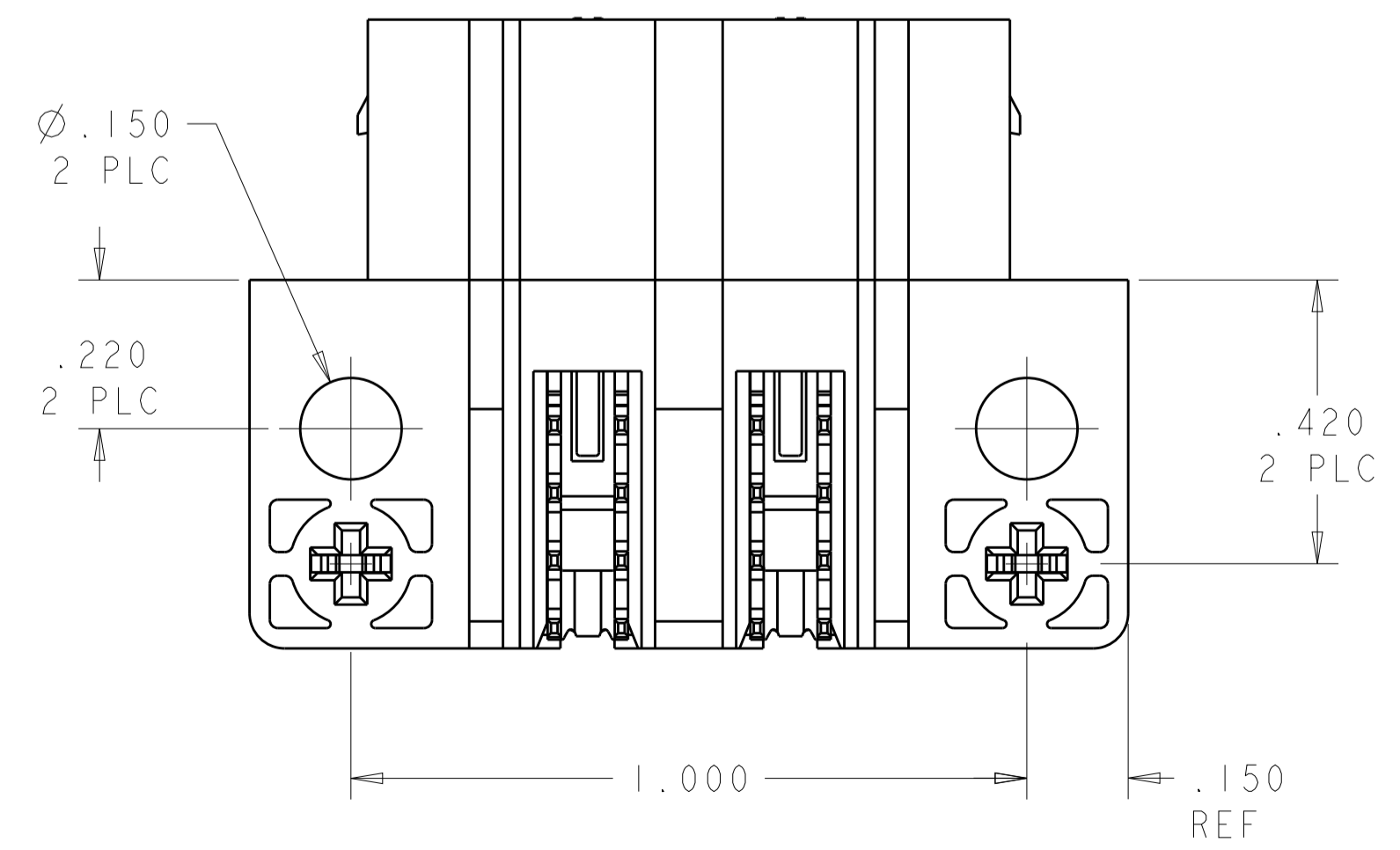
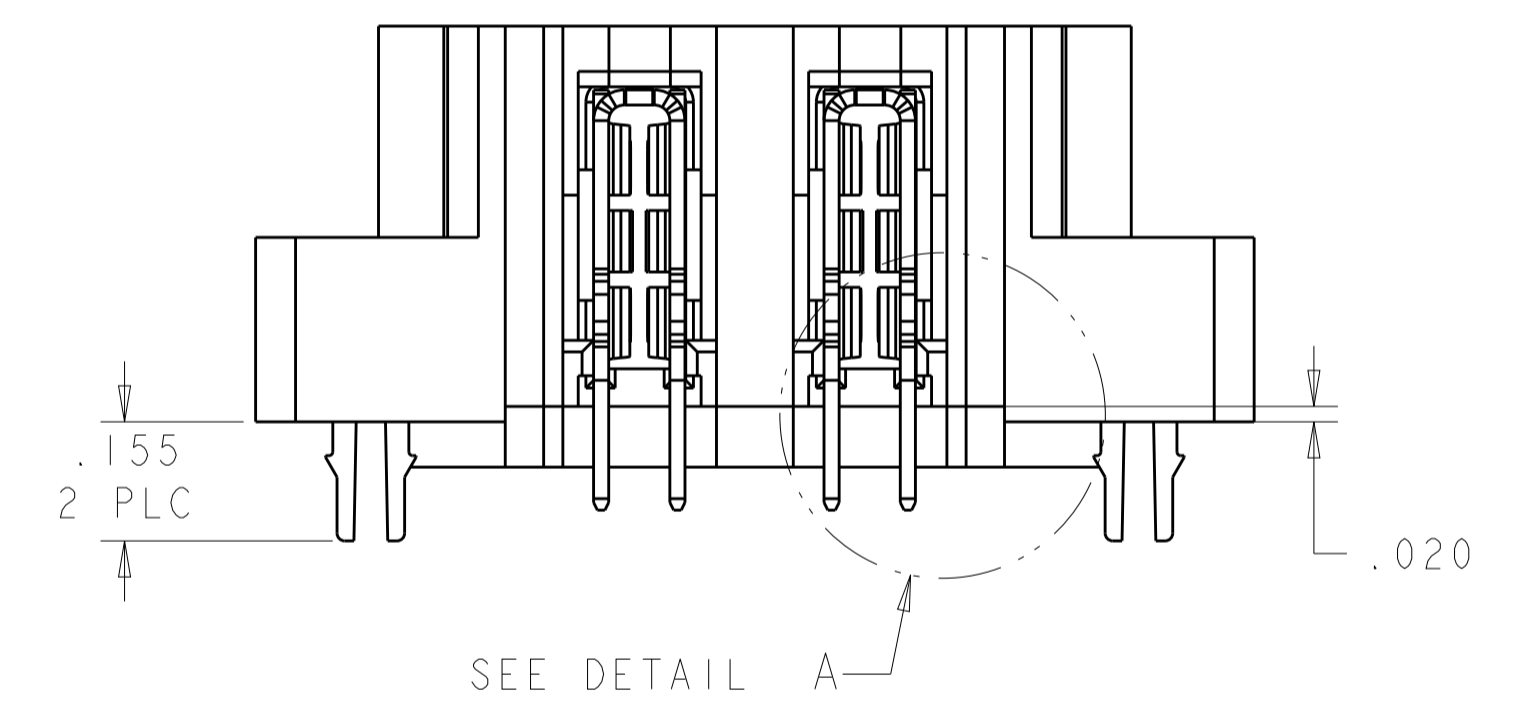
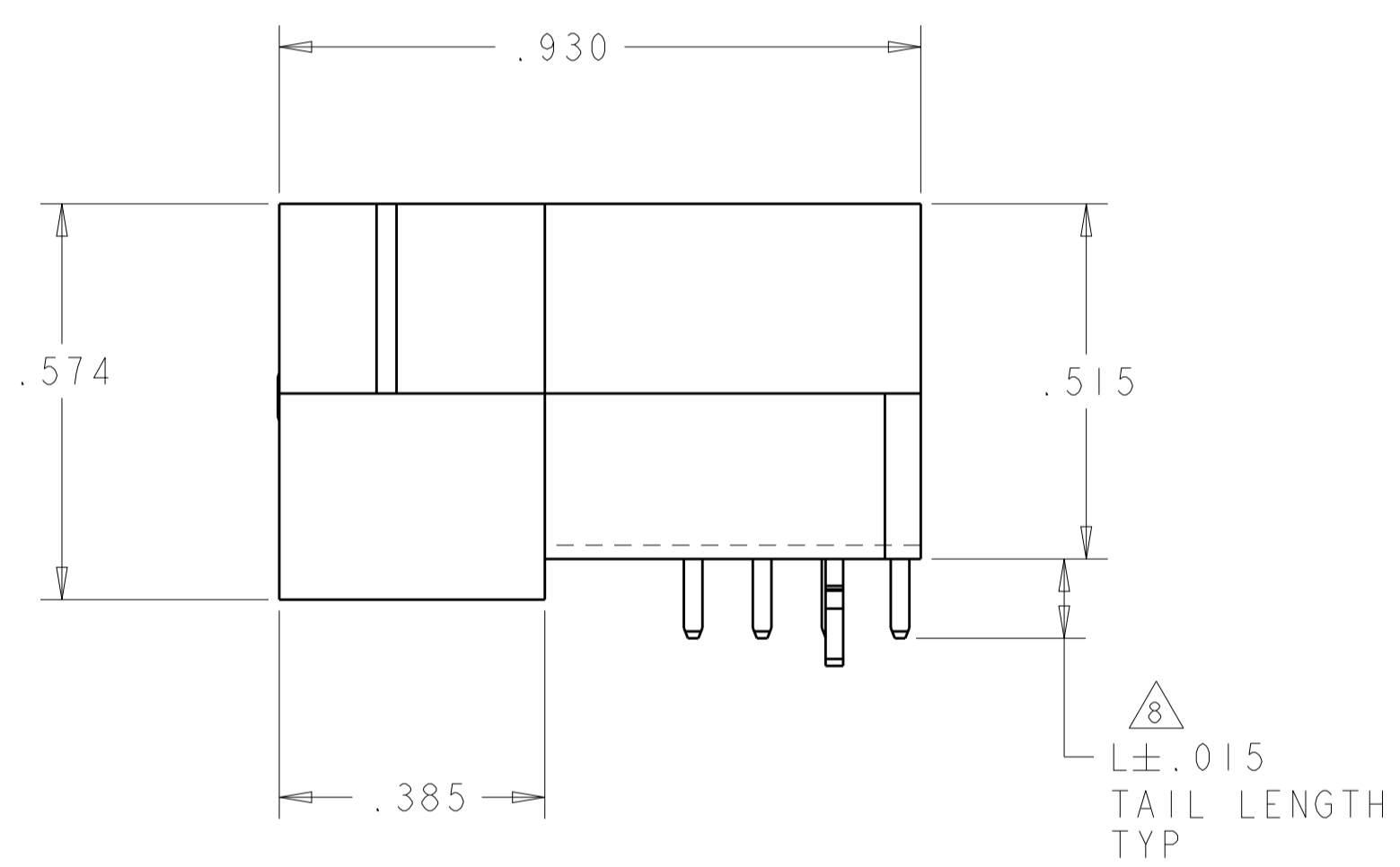
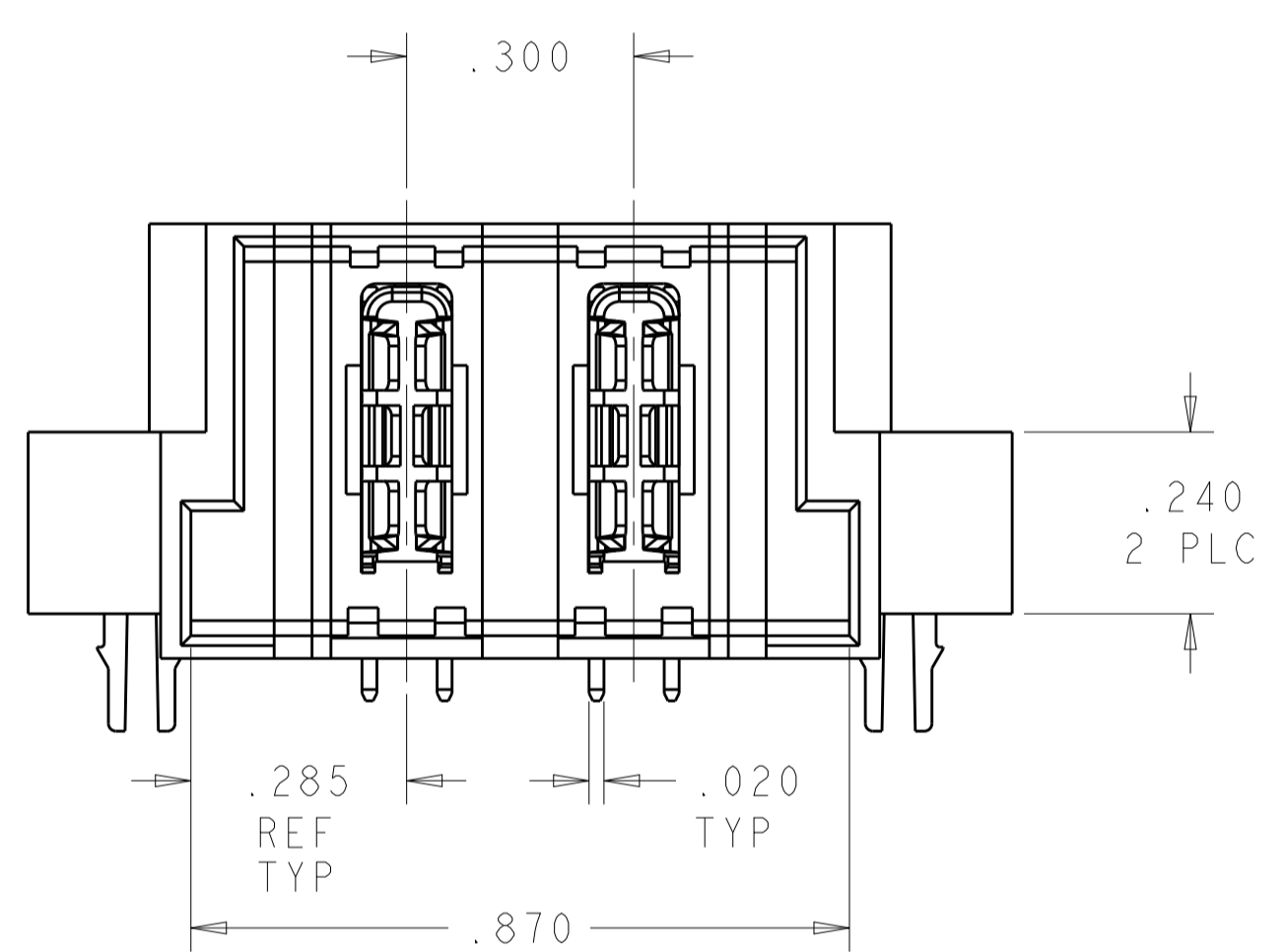


LOC		DIST		REVISIONS			
ES	00	P	LTN	DESCRIPTION	DATE	DMN	APVD
		D1		REV PER ECR-12-011257	01JUN2012	ML	SZ



- ① "AMP" PART NUMBER AND DATE CODE TO BE MARKED IN AREA SHOWN. PARTS UNDER 2.00 INCHES LONG MAY BE MARKED ON BOTH SIDES.
- ② MATERIAL: HOUSING - GLASS FILLED HIGH TEMP THERMO PLASTIC, UL 94 V-0
 POWER CONTACT - HIGH CONDUCTIVITY COPPER ALLOY.
- ③ CONTACT PLATING: NOBLE METAL PLATING ON CONTACT FUNCTIONAL AREA OF POWER AND SIGNAL CONTACTS.
- ④ MECHANICAL CONNECTOR KEEP OUT ZONE. WHEN PLACING CONNECTORS END-TO-END, ALLOW ADDITIONAL 0.1 CLEARANCE BETWEEN CONNECTORS FOR LATCH ACTIVATION.
- ⑤ DATUM AND BASIC DIMENSIONS ESTABLISHED BY CUSTOMER.
- ⑥ PCB - ALL HOLE DIAMETERS ARE FINISHED HOLE SIZES.
- ⑦ PCB - .0453 ± .0010 DRILLED HOLES PLATED WITH .0003 MIN Sn OVER .001 TO .003 Cu PLATING TO ACHIEVE A .040 DIA HOLE.
- ⑧ THIS TAIL LENGTH REFLECTS THE .020 HOUSING STAND-OFFS ON EACH END.



DETAIL A
 SCALE 8:1

PACKING TYPE	DESCRIPTION	PART NUMBER
TRAY	2ACP	1892109-6
TAPE & REEL	2ACP	1892109-5
TAPE & REEL	2ACP	1892109-3
TRAY	2ACP	1892109-1

THIS DRAWING IS A CONTROLLED DOCUMENT. DWN: CECILY.ZHOU 23MAR2006
 CHK: SUNY_ZHAO 23MAR2006
 APVD: SUNY_ZHAO

STE TE Connectivity

NAME: RIGHT ANGLE HEADER ASSEMBLY W/ END LATCHES W/HIGH DURABILITY POWER CONTACT MULTI-BEAM XL

PRODUCT SPEC: 108-1973
 APPLICATION SPEC: 114-13038

SIZE: A1
 CAGE CODE: 1892109
 DRAWING NO: 1892109-5

MATERIAL: ②
 FINISH: ③

CUSTOMER DRAWING SCALE: 4:1 SHEET 1 OF 2 REV D2

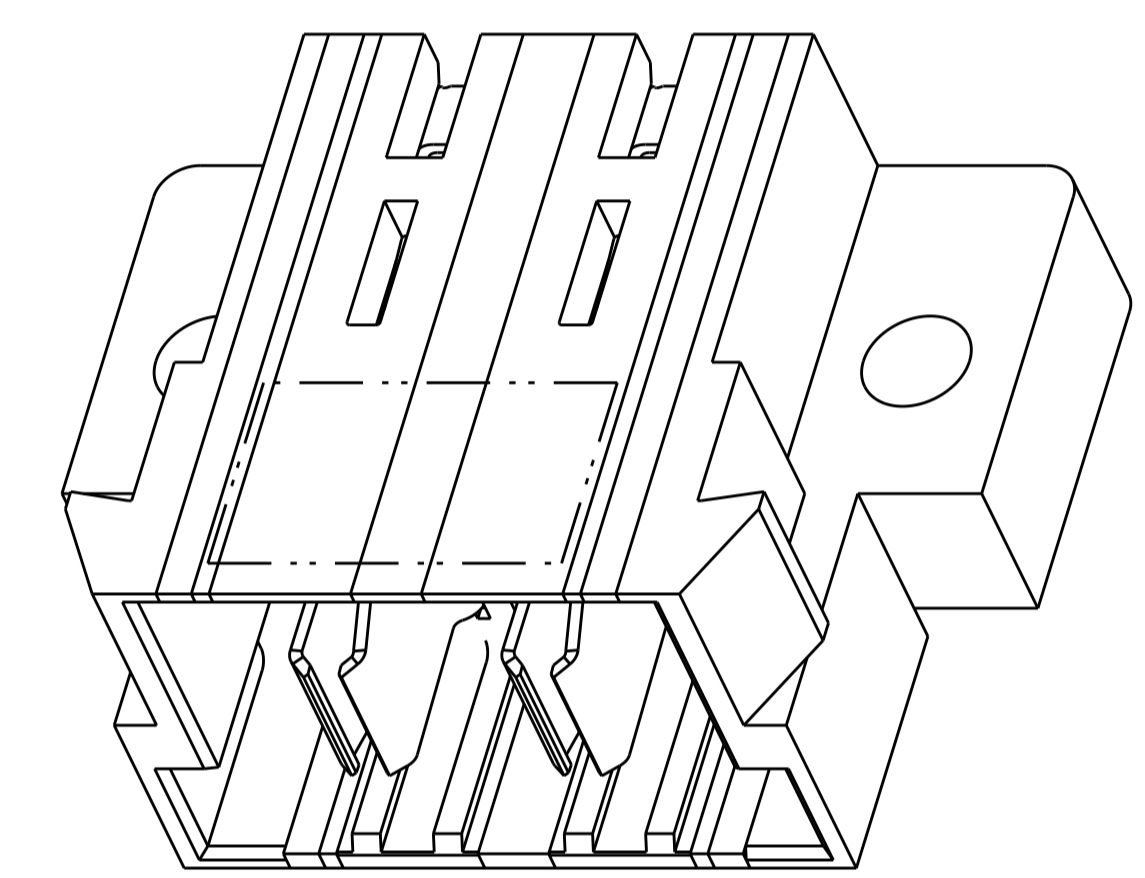
LOC		DIST		REVISIONS			
ES	00	P	LTN	DESCRIPTION	DATE	DWN	APVD
		-		SEE SHEET 1			

PART NUMBER	ROWS	POWER	
		P1	P2
1892109-1	D C B A	TM	TM
2ACP		HD	HD

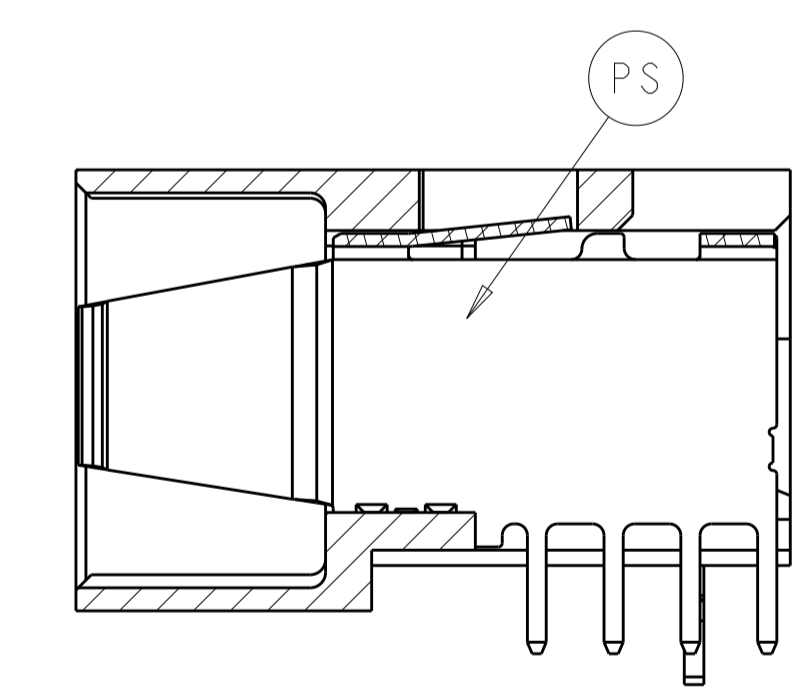
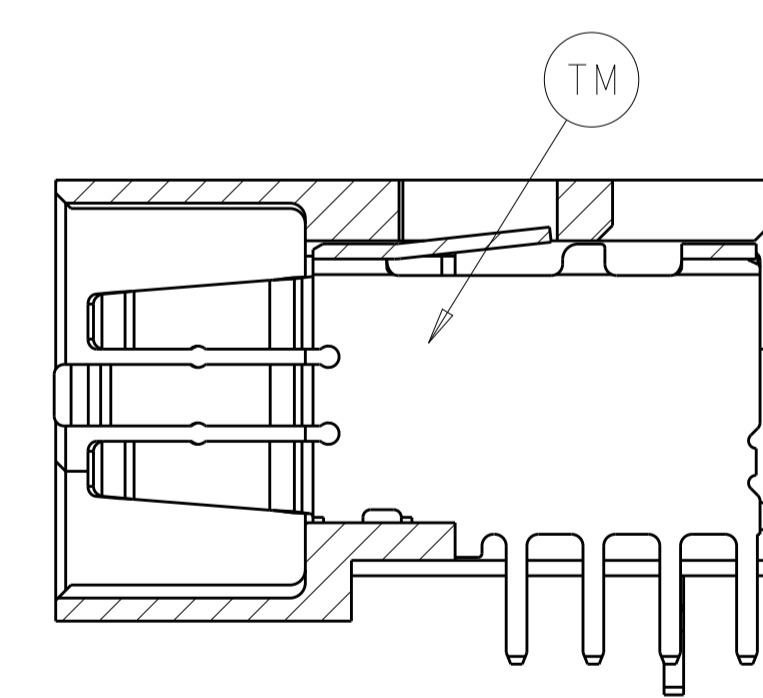
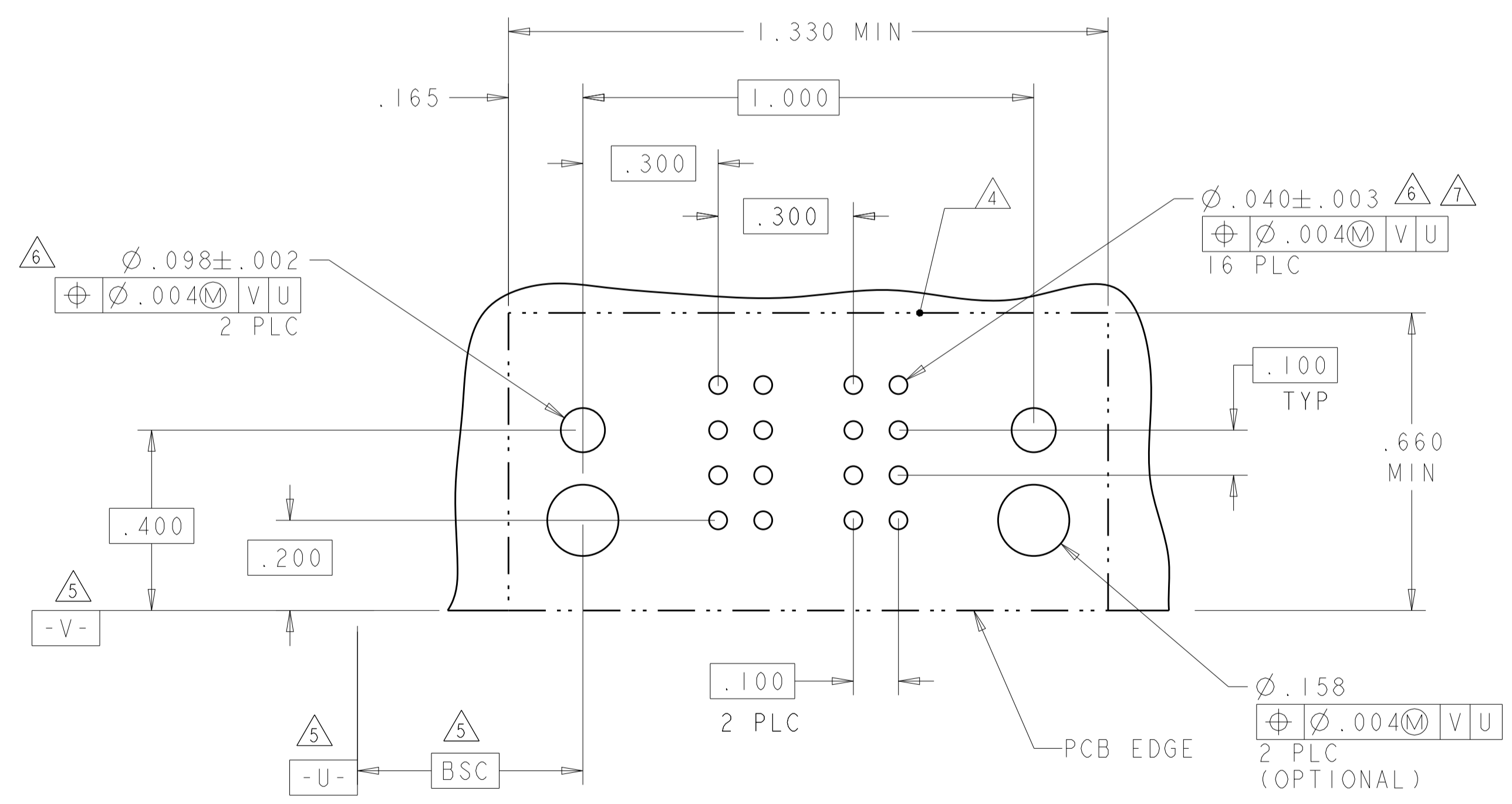
PART NUMBER	ROWS	POWER	
		P1	P2
1892109-3	D C B A	TM	TM
2ACP		HD	HD

PART NUMBER	ROWS	POWER	
		P1	P2
1892109-5	D C B A	PS	PS
2ACP		HD	HD

PART NUMBER	ROWS	POWER	
		P1	P2
1892109-6	D C B A	PS	PS
2ACP		HD	HD



PART NUMBER: 1892109-5



1892109-1 & 1892109-3 & 1892109-5 & 1892109-6 SHARE THE SAME PCB LAYOUT AS ABOVE

(C1)	PS	DUAL BEAM, L=.115
	TM	THREE BEAM, L=.115
CODE	DESCRIPTION	
	POWER CONTACT	

THIS DRAWING IS A CONTROLLED DOCUMENT.		DWN: CECILY.ZHOU 23MAR2006	TE Connectivity
DIMENSIONS: INCHES		CHK: SUNY.ZHAO 23MAR2006	
TOLERANCES UNLESS OTHERWISE SPECIFIED:		APVD: SUNY.ZHAO	NAME: RIGHT ANGLE HEADER ASSEMBLY W/ END LATCHES W/HIGH DURABILITY POWER CONTACT MULTI-BEAM XL
0 PLC ±.01		PRODUCT SPEC: 108-1973	SIZE: 114-13038
1 PLC ±.01		APPLICATION SPEC: 114-13038	RESTRICTED TO: A100779
2 PLC ±.005		WEIGHT: -	SCALE: 4:1
3 PLC ±.002		CUSTOMER DRAWING	SHEET 2 OF 2
4 PLC ±.002			REV D2
ANGLES ±.020			
FINISH: -			

X-ON Electronics

Largest Supplier of Electrical and Electronic Components

Click to view similar products for [IC & Component Sockets](#) category:

Click to view products by [TE Connectivity](#) manufacturer:

Other Similar products are found below :

[714-43-102-31-012000](#) [0066-3-17-15-30-14-02-0](#) [0134-0-15-15-32-27-04-0](#) [614-DG5](#) [6527-0-00-15-00-00-03-0](#) [670](#) [672](#) [673](#) [712-93-120-41-001000](#) [714-93-104-31-018000](#) [8059-4G1-LF](#) [807-22-001-10-001101](#) [807-22-001-10-003101](#) [807-22-001-10-004101](#) [807-22-001-10-006101](#) [807-22-001-30-011101](#) [807-22-001-30-012101](#) [807-22-001-30-013101](#) [807-22-001-30-014101](#) [8-1437531-4](#) [8150-6P10](#) [833-93-034-10-001000](#) [835-43-014-10-001000](#) [851-41-006-10-001000](#) [851-43-008-20-001000](#) [851-43-014-20-001000](#) [851-93-006-20-001000](#) [851-93-010-20-001000](#) [852-10-026-10-001000](#) [853-43-020-10-001000](#) [86.010.0053.0](#) [116-43-306-41-003000](#) [116-43-308-41-007000](#) [116-87-308-41-007101](#) [PX-68LCC](#) [PX-84LCC](#) [121-13-318-41-001000](#) [121-13-320-41-001000](#) [121-13-308-41-001000](#) [123-43-314-41-801000](#) [123-43-420-41-001000](#) [123-43-636-41-001000](#) [123-87-320-41-001101](#) [122-13-316-41-001000](#) [123-13-624-41-001000](#) [123-43-306-41-001000](#) [123-43-322-41-801000](#) [123-43-428-41-001000](#) [123-43-624-41-001000](#) [12-3513-11](#)