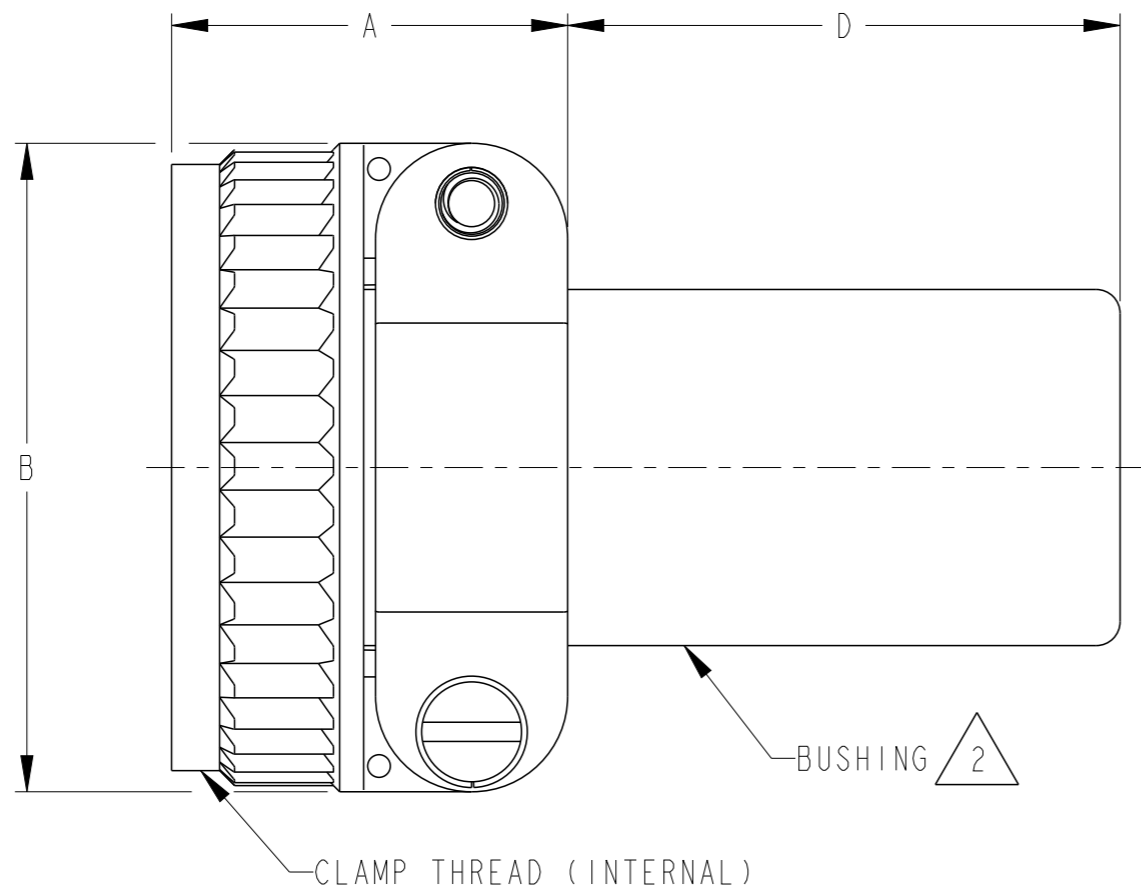
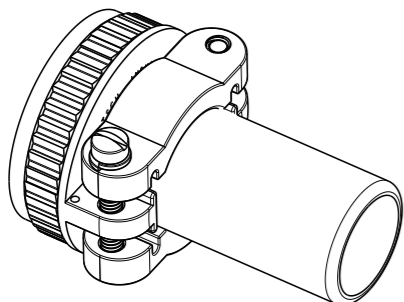
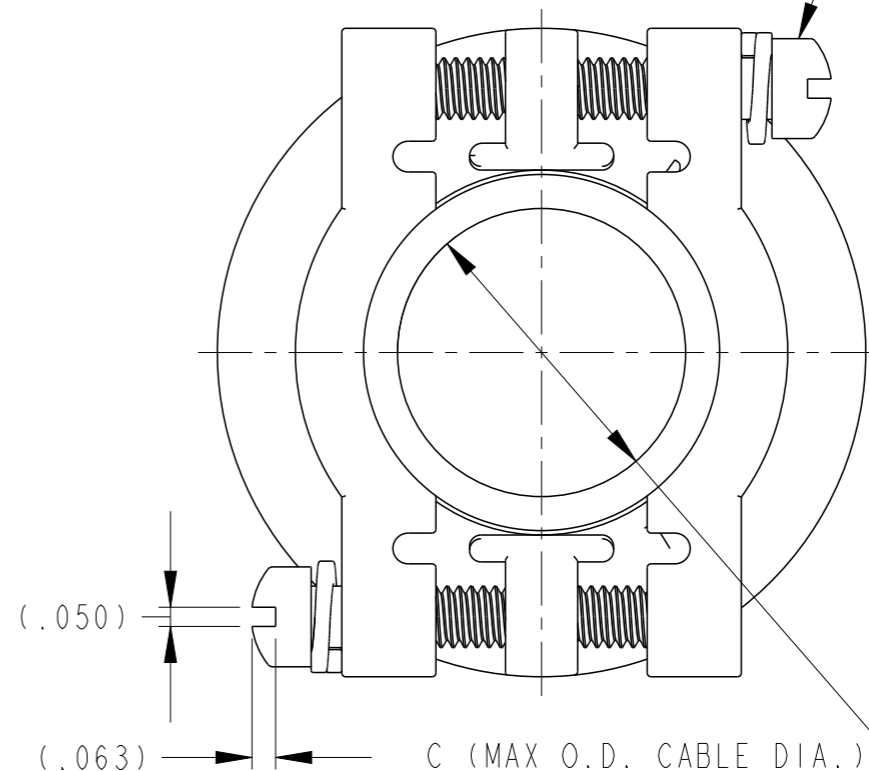


THIS DRAWING IS UNPUBLISHED
 RELEASED FOR PUBLICATION 2015
 © COPYRIGHT 2001 BY TE CONNECTIVITY ALL RIGHTS RESERVED.

| LOC | DIST | REVISIONS | | | |
|-----|------|-----------------------------|-----------|-----|------|
| P | LTR | DESCRIPTION | DATE | DWN | APVD |
| | E1 | REVISED PER ECO-13-015566 | 03OCT2013 | AM | DM |
| | E2 | REVISED PER ECO-15-006803 | 08JUN2015 | JA | DM |
| | F | REVISED PER PCN E-17-004158 | 22MAR2017 | JA | DM |
| | G | REVISED PER PCN E-20-016547 | 19NOV2020 | EC | IG |



8-32 X 1 1/8 2A-RH
 SLOTTED FILLISTER HEAD STAINLESS STEEL SCREW
 WITH STAINLESS STEEL LOCK WASHER (2 REQ'D)
 MAX TORQUE 17 IN-LB [1.92 N-M]
 2 PLC



| XX SIZE | TE INTERNAL PART NO. | DEUTSCH PART NO. | BUSHINGS (NEOPRENE) $\triangle 2$ | CLAMP THREAD CLASS 2B | A $\pm .050$ [1.27] | B $\pm .025$ [.635] | C $\pm .050$ [1.27] | D MAX. |
|---------|----------------------|------------------|-----------------------------------|-----------------------|---------------------|---------------------|---------------------|---------------|
| 18 | 0409-201-1800 | 0409-201-1800 | 1 EACH SUPPLIED | 1.188-18 UNEF | .938 [23.82] | 1.469 [37.31] | .760 [19.30] | 1.800 [45.72] |
| 24 | 0409-201-2400 | 0409-201-2400 | 2 EACH SUPPLIED | 1.438-18 UNEF | 1.031 [26.19] | 1.688 [42.88] | .948 [24.08] | 1.700 [43.18] |

3. THE OPERATING TEMPERATURE IS -55°C TO 125°C.

$\triangle 2$ BUSHINGS ARE SHIPPED LOOSE WITH CABLE CLAMP ASSEMBLIES IN A SEALED PLASTIC BAG. PART NUMBER LABEL AND COUNTRY OF ORIGIN, IF OTHER THAN USA, ON THE BAG.

1. FINISH: TIN OVER NICKEL PLATE. MAY DISCOLOR.

NOTES:

THIS DRAWING IS A CONTROLLED DOCUMENT.

| | |
|----------------------------|--|
| DIMENSIONS: INCHES [mm] | TOLERANCES UNLESS OTHERWISE SPECIFIED: |
| | 0 PLC \pm |
| | 1 PLC \pm |
| | 2 PLC \pm |
| | 3 PLC $\pm .025$ [0.64] |
| | 4 PLC \pm |
| | ANGLES $\pm \pm 0^{\circ}30'0''$ |
| MATERIAL N/A | FINISH N/A |

| | |
|------------------|-----------|
| DWN | 02MAR2001 |
| ALEX ROLINSKI | |
| CHK | 08JUN2004 |
| JAIME C. APOSTOL | |
| APVD | 14JUN2004 |
| ROBIN REED | |
| PRODUCT SPEC | N/A |
| APPLICATION SPEC | N/A |
| WEIGHT | |

| | | | |
|------------------------------------|-----------|---------------|---------------|
| STE TE Connectivity | | | |
| NAME CABLE CLAMP HD30 SERIES | | | |
| SIZE | CAGE CODE | DRAWING NO | RESTRICTED TO |
| A3 | 4AFU8 | 0409-201-XX00 | - |

CUSTOMER DRAWING SCALE 2:1 SHEET 1 OF 1 REV G

X-ON Electronics

Largest Supplier of Electrical and Electronic Components

Click to view similar products for [Automotive Connectors](#) category:

Click to view products by [TE Connectivity](#) manufacturer:

Other Similar products are found below :

[003-018-000](#) [60403001](#) [60993906-B](#) [M902-2131](#) [M902-2161](#) [72.330.1035.1](#) [73.353.4028.0](#) [F119300-B](#) [F166900](#) [F258300-B](#) [F358300-B](#)
[F407400](#) [F444110](#) [F487000](#) [F509500B-B](#) [827153-1](#) [8N1515-32-24P](#) [9-1326729-8](#) [925474-1](#) [928905-1](#) [964562-4](#) [968782-1](#) [GT17SA-8DS-](#)
[HU](#) [98891-1012](#) [98947-1016](#) [12004147](#) [12004475-L](#) [12010290](#) [12010309-B](#) [12015454](#) [12020219-B](#) [12020308](#) [12041318-B](#) [12052225-L](#)
[12052466](#) [12059125](#) [12064869](#) [12004327-B](#) [12010503-B](#) [12015308](#) [12015384](#) [12015909](#) [1-21030-1](#) [12041254](#) [12041318](#) [12047946-B](#)
[12047957](#) [12047957-L](#) [12059473](#) [12066261](#)