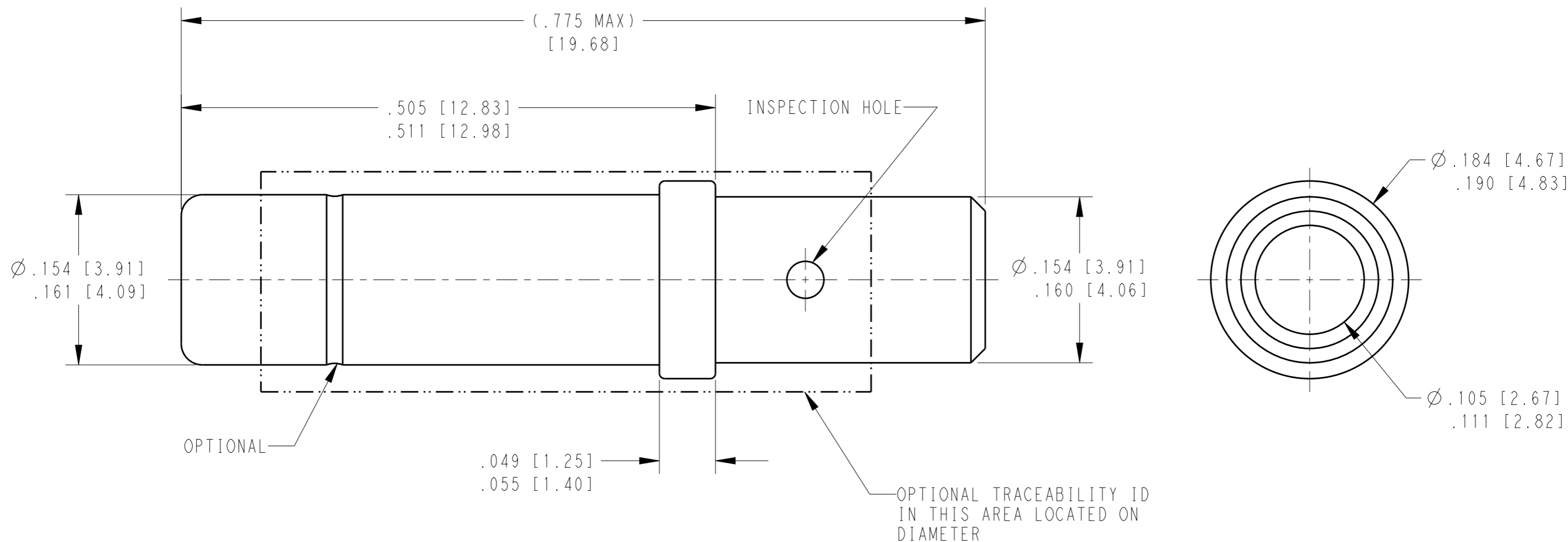


THIS DRAWING IS UNPUBLISHED  
 RELEASED FOR PUBLICATION 2018  
 © COPYRIGHT 2009 BY TE CONNECTIVITY ALL RIGHTS RESERVED.

LOC	DIST	REVISIONS			
P	LTR	DESCRIPTION	DATE	DWN	APVD
	NC	NEW RELEASE PER E.O 1399	13APR1984	JA	DM
	A	REVISED AND REDRAWN PER EO P20205	02JUN2009	JA	RDR
	B	REVISED PER PCN E-18-001206	24JAN2018	JA	DM
	B1	REVISED PER PCN E-19-018080	19NOV2019	MK	DM



TE INTERNAL PN	DEUTSCH PN	PLATING
0462-210-1231	0462-210-1231	GOLD

THIS DRAWING IS A CONTROLLED DOCUMENT.		DWN JAIME C. APOSTOL 29JUN2009														
DIMENSIONS: INCHES [mm]		CHK D. MEYER 29JUN2009														
TOLERANCES UNLESS OTHERWISE SPECIFIED:		APVD R. REED 29JUN2009	NAME CONTACT SOCKET SIZE 12													
<table border="0"> <tr><td>0 PLC</td><td>±</td></tr> <tr><td>1 PLC</td><td>±</td></tr> <tr><td>2 PLC</td><td>±</td></tr> <tr><td>3 PLC</td><td>±</td></tr> <tr><td>4 PLC</td><td>±</td></tr> <tr><td>ANGLES</td><td>±</td></tr> </table>		0 PLC	±	1 PLC	±	2 PLC	±	3 PLC	±	4 PLC	±	ANGLES	±	PRODUCT SPEC 108-151004	SIZE A3	
0 PLC	±															
1 PLC	±															
2 PLC	±															
3 PLC	±															
4 PLC	±															
ANGLES	±															
MATERIAL		APPLICATION SPEC 114-151004	CAGE CODE 4AFU8	DRAWING NO 0462-210-1231												
FINISH		WEIGHT 1.31g	RESTRICTED TO													
CUSTOMER DRAWING			SCALE 10:1	SHEET 1 OF 1												
REV B1																

NOTES:  
 (B1) 1. SEE APPLICATION SPECIFICATION 114-151004 FOR CRIMP TOOLS AND WIRE RANGE

## X-ON Electronics

Largest Supplier of Electrical and Electronic Components

*Click to view similar products for [Automotive Connectors](#) category:*

*Click to view products by [TE Connectivity](#) manufacturer:*

Other Similar products are found below :

[003-018-000](#) [60403001](#) [60993906-B](#) [M902-2131](#) [M902-2161](#) [M902-2344](#) [72.330.1035.1](#) [73.353.4028.0](#) [F119300-B](#) [F166900](#) [F258300-B](#)  
[F358300-B](#) [F407400](#) [F444110](#) [F487000](#) [F509500B-B](#) [827153-1](#) [8N1515-32-24P](#) [9-1326729-8](#) [925474-1](#) [928905-1](#) [964562-4](#) [968782-1](#)  
[GT17SA-8DS-HU](#) [98891-1012](#) [98947-1016](#) [12004147](#) [12004475-L](#) [12010290](#) [12010309-B](#) [12015454](#) [12020219-B](#) [12041318-B](#) [12052225-](#)  
[L](#) [12052466](#) [12064869](#) [12004327-B](#) [12015308](#) [12015384](#) [12015909](#) [1-21030-1](#) [12041254](#) [12041318](#) [12047946-B](#) [12047957](#) [12047957-L](#)  
[12059473](#) [12066261](#) [12110546](#) [12110546-B](#)