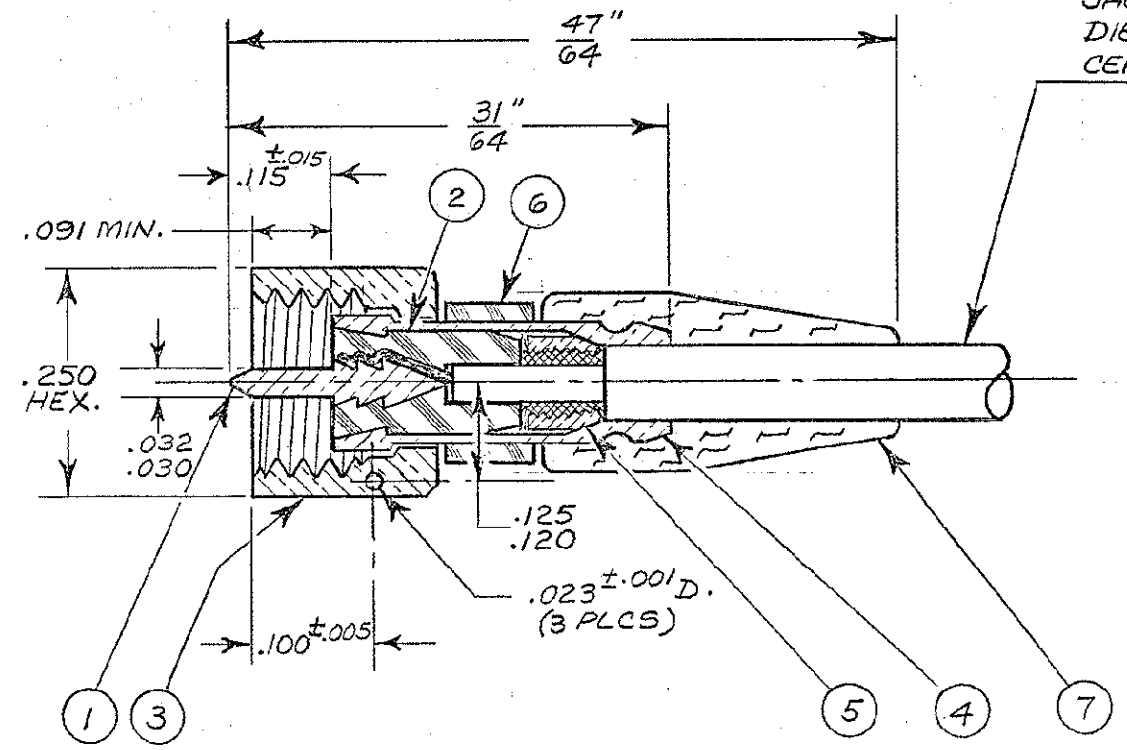


CABLE ACCEPTANCE DIMS.
 JACKET DIA. .088 MAX.
 DIELECTRIC DIA. .050 MAX.
 CENTER CONDUCTOR DIA. .013 MAX.

REVISIONS				
ZONE	LTR	DESCRIPTION	DATE	APPROVED
		FOR PRIOR CHANGES SEE OLD PRINTS.		
	J	REDRAWN & UPDATED (ECO 18772) mfw	10/24/74	[Signature]
	K	ECN 36837 ITEM 7, WAS 003-0031-0000	3/21/97	[Signature]
	L	ECN 40484, UPDATE REV. LETTER.	8/25/00	[Signature]



- NOTES: (UNLESS OTHERWISE SPECIFIED)
- THIS CONNECTOR MATES WITH ALL S-50 JACKS AND RECEPTACLES AS LISTED IN MICRODOT CATALOG.
 - FOR ASSEMBLY INSTRUCTIONS SEE BULLETIN #47.
 - MICRODOT ASSY. TOOL 010-0003-0000 REQUIRED.
 - OPTIONAL, DEPENDING ON CUSTOMER REQUIREMENTS.
 - SILVER PLATE .0002-.0004 PER QQ-S-365.
 - GOLD PLATE .00005 MIN. PER MIL-G-45204, TYPE II, CLASS I.
 - 10-32 UNF-2B THREAD.
 - NUT CROSS DRILLED FOR SAFETY WIRING.
 - ALL DIMS. ARE AFTER PLATE DIMS.

- △ 4
- △ 5
- △ 6
- △ 5 △ 6 △ 7
- △ 6

QTY.	PT. NO.	DESCRIPTION	ITEM NO.
1	003-0270-0000	B.R. CAP SILICONE RUBBER ZZ-R-765	7
1	003-0597-0001	SLEEVE TEFLON, L-P-403	6
1	003-0163-0001	RING BRASS PER QQ-B-626	5
1	003-0160-0001	FERRULE BRASS PER QQ-B-626	4
1	003-0772-0001	NUT BRASS PER QQ-B-626	3
1	003-0027-0001	BUSHING TEFLON, L-P-403	2
1	003-0359-0002	PIN BRASS PER QQ-B-626	1

PARTS LIST

UNLESS OTHERWISE SPECIFIED DIMENSIONS ARE IN INCHES TOLERANCES ARE: FRACTIONS DECIMALS ANGLES ± 1/32" .XX ± ± .XXX ± .010		CONTRACT NO.		MALCO A MICRODOT COMPANY, INC. 220 PASADENA AVE., SO. PASADENA, CALIF. 91030	
MATERIAL NOTED		APPROVALS			
FINISH NOTED		DATE		SIZE B CODE IDENT NO. 98278 DRAWING NO. 052-0213-0001 L	
NEXT ASSY		DO NOT SCALE DRAWING			SCALE
USED ON		SHEET 1 OF 1			
APPLICATION					

052-0213-0001 SAME AS 052-0213

BISHOP GRAPHICS/ACCUPRESS
REORDER NO. 2196

X-ON Electronics

Largest Supplier of Electrical and Electronic Components

Click to view similar products for [RF Connectors / Coaxial Connectors](#) category:

Click to view products by [TE Connectivity](#) manufacturer:

Other Similar products are found below :

[R125315120](#) [8915-1511-000](#) [89674-0827](#) [5916-1103-603](#) [6-0001-3](#) [6001-7071-019](#) [6002-7051-003](#) [6002-7551-202](#) [6059674-1](#) [619550-1](#)
[630059-000](#) [M39012/25-0021](#) [M39012/79-3008](#) [M39030/3-01N](#) [M39030/3-03N](#) [M3933/25-36N](#) [6500-7071-046](#) [M83723/72W24576](#)
[M83723/72W2457N](#) [6769](#) [CX050L2AQ](#) [7002-1541-010](#) [7002-1572-002](#) [7003-1572-002](#) [7010-1511-000](#) [7029-1511-060](#) [7101-1541-010](#)
[7101-1571-002](#) [7105-1521-002](#) [7145-1521-002](#) [7209-1511-011](#) [7210-1511-015](#) [7210-1511-019](#) [7225-1512-050](#) [7242-1511-000](#) [73137-5015](#)
[73251-0111](#) [73251-0672](#) [7325-1512-000](#) [73276-1501](#) [73366-0013](#) [73404-2300](#) [73413-6080](#) [73415-5721](#) [7405-1521-005](#) [7405-1521-802](#)
[7406-1521-005](#) [804S01D04M040](#) [8145-1521-002](#) [81590](#)