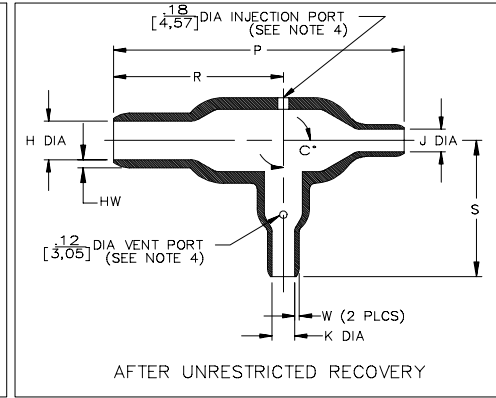
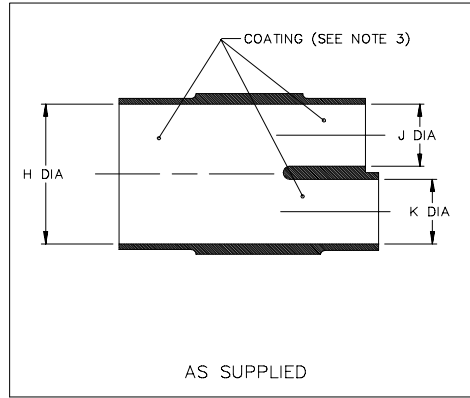


# Thermofit<sup>®</sup> Molded Parts Specification Control Drawing

Part Number : 322A514  
Description : Transition, 90°, Side Breakout, Thinwall

**NOTES**

- All dimensions are in  $\frac{\text{inches}}{\text{[millimeters]}}$
- Dimensions appearing in table are as follows:  
a - As Supplied  
b - After Unrestricted Recovery
- Coating is optional. As supplied dimensions appearing in table are for uncoated parts. When coating is added, entry diameters will be reduced by .06 max.
- When molding parts are specified as -00 modification they will be located as shown.



PART NUMBER	H		J & K		P ±10% b	R ±10% b	S ±10% b	W ±20% b	HW ±20% b	C*	
	Min a	Max b	Min a	Max b						±10° a	±5° b
322A514	1.20 [30,5]	.60 [15,2]	.70 [17,8]	.35 [8,9]	3.20 [81,3]	1.87 [47,5]	1.50 [38,1]	.05 [1,27]	.09 [2,29]	15	90

**Raychem**  
RAYCHEM CORPORATION  
300 CONSTITUTION DRIVE  
MENLO PARK, CALIFORNIA 94025  
(415) 361-6055

Revision : C  
Date : 8/09/90

Part Number : 322A514  
Description : Transition, 90°, Side Breakout, Thinwall

CAD FILE MP90210

# Thermofit<sup>®</sup> Molded Parts Specification Control Drawing

Part Number : 322A514  
Description : Transition, 90°, Side Breakout, Thinwall

MATERIAL DASH NO.	MATERIAL DESCRIPTION	RT SPEC	COATING SLASH NO.	COATING S NO.	COATING DESCRIPTION
-3	Polyolefin, Semi-Rigid	RT-301	/42;/86	S-1017;S-1048	Adhesive
-4	Polyolefin, Flexible	RT-1304	/42;/86	S-1017;S-1048	Adhesive
-5	Neoprene	RT-501	N/A		
-6	Silicone	RT-602	N/A		
-25	Elastomer, Fluid Resistant	RT-1325	/86	S-1048	Adhesive
-52	Nuclear Molding Cmpd., Poly	RT-1508	N/A		

**ORDERING INFORMATION**

322A514 -XX -XX /XXX

Base part number \_\_\_\_\_

Material dash number \_\_\_\_\_  
(See Compatability Chart)

Modification number \_\_\_\_\_  
(If necessary, see front of scd binder for a complete list)

Adhesive slash number \_\_\_\_\_  
(If necessary, see Compatability Chart)

THIS DRAWING IS SUBJECT TO CHANGE WITHOUT NOTICE; CONSULT YOUR NEAREST FIELD REPRESENTATIVE FOR CURRENT REVISION

**Raychem**  
RAYCHEM CORPORATION  
300 CONSTITUTION DRIVE  
MENLO PARK, CALIFORNIA 94025  
(415) 361-6055

Revision : C  
Date : 8/09/90

Part Number : 322A514  
Description : Transition, 90°, Side Breakout, Thinwall

## X-ON Electronics

Largest Supplier of Electrical and Electronic Components

*Click to view similar products for [Heat Shrink Cable Boots & End Caps](#) category:*

*Click to view products by [TE Connectivity](#) manufacturer:*

Other Similar products are found below :

[577159N001](#) [007758-000](#) [610368N003](#) [645494-000](#) [M85049/141-02HU](#) [M85049/141-03HU](#) [M85049/141-04HU](#) [687025-000](#) [705331-000](#)  
[718446-000](#) [725666N001](#) [729257-000](#) [F21914-000](#) [F27131-000](#) [F85868-000](#) [770-006A103R](#) [770-006A304W1](#) [770-006A305W1](#) [770-](#)  
[006A308W1](#) [770-011T303W1](#) [770-011T304W1](#) [770-020S702W1](#) [770-020S704W1](#) [806138-000](#) [806542N001](#) [807507-000](#) [808059-000](#)  
[808296-000](#) [808362-000](#) [808828-000](#) [809125-000](#) [809130-000](#) [809218-000](#) [811218-000](#) [811288-000](#) [812014-000](#) [812047-000](#) [813166-000](#)  
[813767N002](#) [814417-000](#) [819115N001](#) [819117N001](#) [823026-000](#) [823070-000](#) [825002-000](#) [841189N001](#) [861471-000](#) [866647-000](#) [937577-](#)  
[000](#) [950764-000](#)