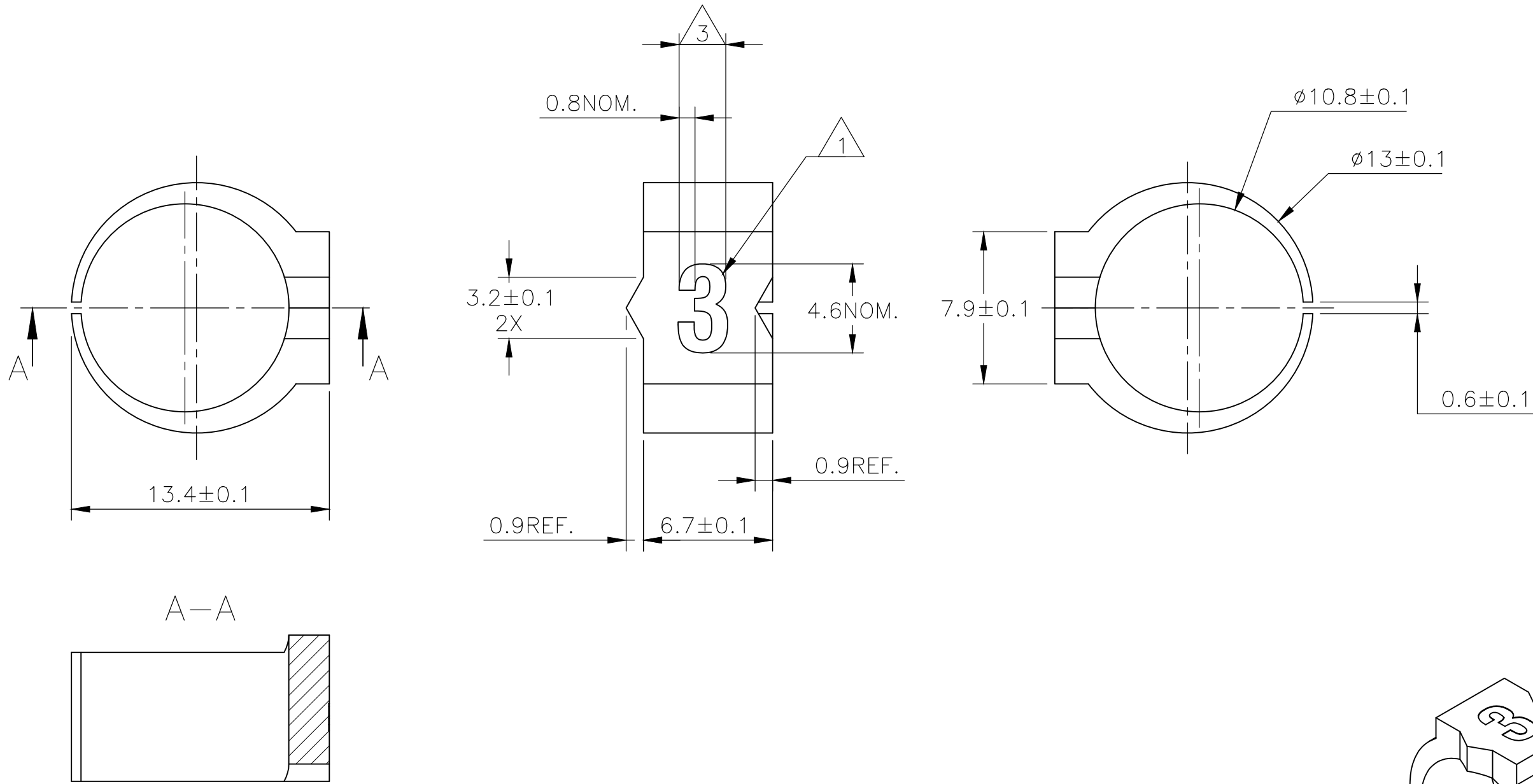



P	LTR	DESCRIPTION	DATE	DWN	APVD
	3	REVISED PER ECR-20-010947	04AUG2020	GK	AK

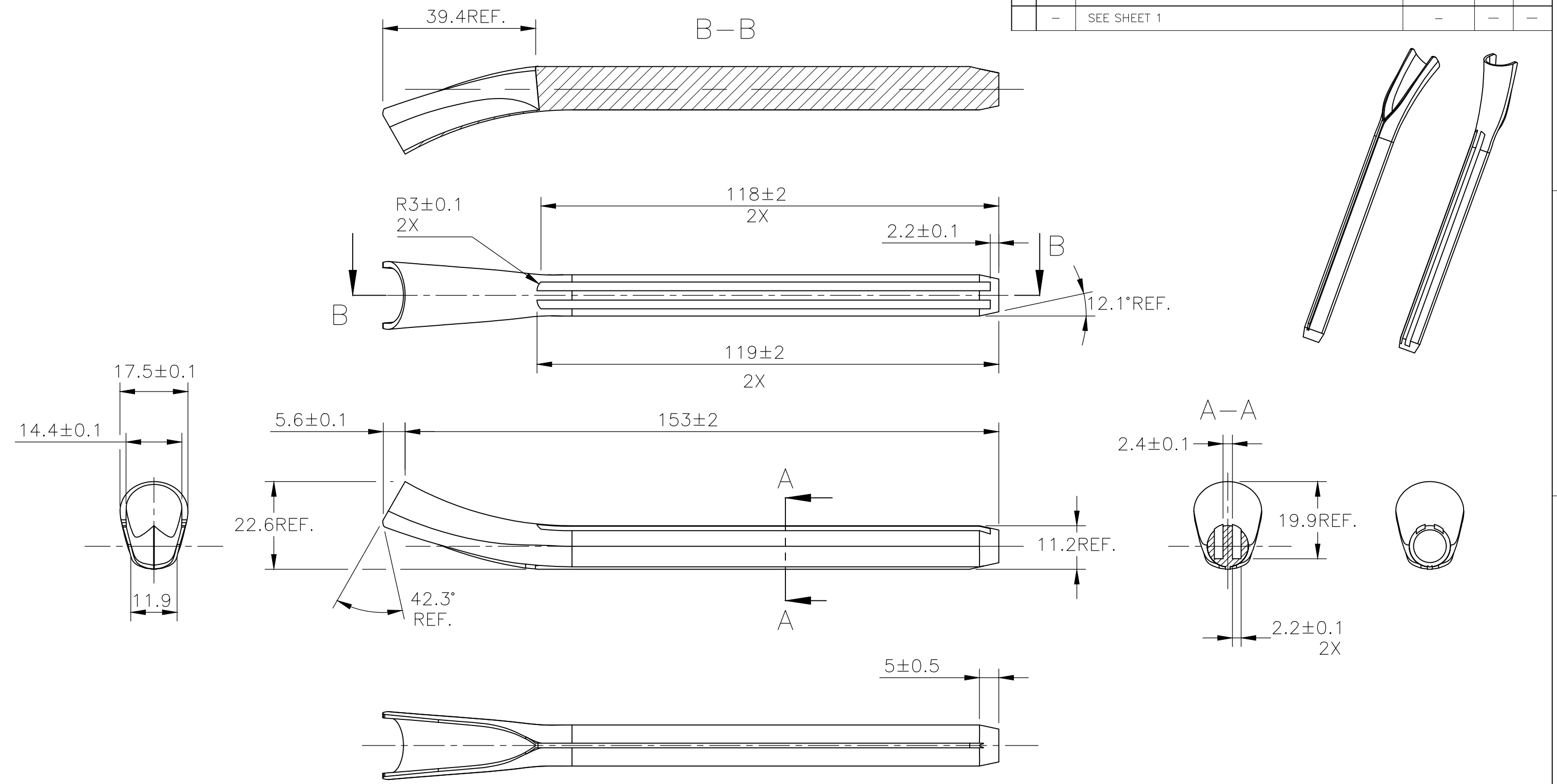


NOTES:

- 1 FOR PART NUMBERS SEE SHEET 3 OF 3.
- 2 MARK SHOULD BE CENTRALLY POSITIONED  $\pm 0.1$  mm
- 3 WIDTH OF MARK DEPENDS ON CHARACTER PRINTED

THIS DRAWING IS A CONTROLLED DOCUMENT.		DWN RAGHAVENDRA K 25MAR2013	 TE Connectivity				
DIMENSIONS: mm		CHK KEAN ALAN 25MAR2013					
TOLERANCES UNLESS OTHERWISE SPECIFIED:		APVD MARIO APPELLO 25MAR2013	NAME SNAP-ON MARKER STB/STD SIZE 21 WITH APPLICATOR				
0 PLC $\pm -$ 1 PLC $\pm -$ 2 PLC $\pm -$ 3 PLC $\pm -$ 4 PLC $\pm -$ ANGLES $\pm -$		PRODUCT SPEC -	APPLICATION SPEC -				
MATERIAL -		FINISH -	WEIGHT -	SIZE A3	CAGE CODE C2290	DRAWING NO C-1768047-5	RESTRICTED TO -
CUSTOMER DRAWING			SCALE NTS	SHEET 1 OF 3	REV 3		

REVISIONS					
P	LTR	DESCRIPTION	DATE	DWN	APVD
-	-	SEE SHEET 1	-	-	-



THIS DRAWING IS A CONTROLLED DOCUMENT.		DWN RAGHAVENDRA K 25MAR2013	<b>STE</b> TE Connectivity		
DIMENSIONS: mm		CHK KEAN ALAN 25MAR2013			
TOLERANCES UNLESS OTHERWISE SPECIFIED:		APVD MARIO APPELLO 25MAR2013	NAME SNAP-ON MARKER STB/STD SIZE 21 WITH APPLICATOR		
0 PLC ± -		PRODUCT SPEC	-		
1 PLC ± -		APPLICATION SPEC	-		
2 PLC ± -		WEIGHT	-		
3 PLC ± -		CUSTOMER DRAWING	SIZE A3	CAGE CODE C2290	DRAWING NO G-1768047-5
4 PLC ± -		MATERIAL	RESTRICTED TO	-	
ANGLES ± -		FINISH	SCALE NTS	SHEET 2 OF 3	REV 3

REVISIONS

P	LTR	DESCRIPTION	DATE	DWN	APVD
-	-	SEE SHEET 1	-	-	-

DESCRIPTION	PART NO.
STB21-BLANK-0	5-1768040-0
STB21-BLANK-2	5-1768040-2
STB21-BLANK-6	5-1768040-5
STB21-BLANK-8	5-1768040-7
STD21-APPLICATOR	1768047-5
STD21W-0	1768047-6
STD21W-1	303184-000
STD21W-2	563918-000
STD21W-3	884468-000
STD21W-4	666714-000
STD21W-5	263556-000
STD21W-6	557678-000
STD21W-7	375434-000
STD21W-8	871050-000
STD21W-9	025278-000
STD21W-A	138262-000
STD21W-B	846224-000
STD21W-BLANK	1768047-9
STD21W-C	315560-000
STD21W-D	937516-000
STD21W-DOT	1-1768047-2
STD21W-E	398254-000
STD21W-EARTH	1-1768047-3
STD21W-F	150770-000
STD21W-G	415068-000
STD21W-H	872820-000
STD21W-I	091456-000
STD21W-J	210862-000

DESCRIPTION	PART NO.
STD21W-K	236972-000
STD21W-L	144498-000
STD21W-M	151926-000
STD21W-MINUS	2-1768047-0
STD21W-N	148398-000
STD21W-P	852494-000
STD21W-PLUS	2-1768047-3
STD21W-Q	085934-000
STD21W-R	962458-000
STD21W-S	251560-000
STD21W-SLASH	764286-000
STD21W-T	650510-000
STD21W-U	461542-000
STD21W-V	023470-000
STD21W-W	034464-000
STD21W-X	316680-000
STD21W-Y	882830-000
STD21W-Z	475522-000
STD21Y-0	2-1768047-5
STD21Y-1	2-1768047-6
STD21Y-2	2-1768047-7
STD21Y-3	2-1768047-8
STD21Y-4	2-1768047-9
STD21Y-5	3-1768047-0
STD21Y-6	3-1768047-1
STD21Y-7	3-1768047-2
STD21Y-8	3-1768047-3
STD21Y-9	3-1768047-4

DESCRIPTION	PART NO.
STD21Y-A	3-1768047-5
STD21Y-B	3-1768047-8
STD21Y-BLANK	3-1768047-9
STD21Y-C	4-1768047-1
STD21Y-D	4-1768047-3
STD21Y-DOT	4-1768047-5
STD21Y-E	4-1768047-6
STD21Y-EARTH	4-1768047-7
STD21Y-F	4-1768047-9
STD21Y-G	5-1768047-1
STD21Y-H	5-1768047-3
STD21Y-I	5-1768047-5
STD21Y-J	5-1768047-6
STD21Y-K	5-1768047-7
STD21Y-L	5-1768047-9
STD21Y-M	6-1768047-1
STD21Y-MINUS	6-1768047-2
STD21Y-N	6-1768047-4
STD21Y-P	6-1768047-6
STD21Y-PLUS	6-1768047-7
STD21Y-Q	6-1768047-8
STD21Y-R	6-1768047-9
STD21Y-S	7-1768047-1
STD21Y-SLASH	7-1768047-2
STD21Y-T	7-1768047-3
STD21Y-U	7-1768047-4
STD21Y-V	7-1768047-5
STD21Y-W	7-1768047-6
STD21Y-X	7-1768047-7

DESCRIPTION	PART NO.
STD21Y-Y	7-1768047-8
STD21Y-Z	7-1768047-9
STB21-2-2	4-1768040-4
STB21-BLANK-3	5-1768040-3
STD21W-COLON	094158-000
STD21Y-AC	3-1768047-6
STD21Y-COLON	4-1768047-2

THIS DRAWING IS A CONTROLLED DOCUMENT.		DWN RAGHAVENDRA K 25MAR2013	<b>STE</b> TE Connectivity														
		CHK KEAN ALAN 25MAR2013															
DIMENSIONS: mm		APVD MARIO APPELLO 25MAR2013	NAME SNAP-ON MARKER STB/STD SIZE 21 WITH APPLICATOR														
TOLERANCES UNLESS OTHERWISE SPECIFIED:		PRODUCT SPEC	-														
<table border="0"> <tr><td>0 PLC</td><td>± -</td></tr> <tr><td>1 PLC</td><td>± -</td></tr> <tr><td>2 PLC</td><td>± -</td></tr> <tr><td>3 PLC</td><td>± -</td></tr> <tr><td>4 PLC</td><td>± -</td></tr> <tr><td>ANGLES</td><td>± -</td></tr> </table>		0 PLC	± -	1 PLC	± -	2 PLC	± -	3 PLC	± -	4 PLC	± -	ANGLES	± -	APPLICATION SPEC	-		
0 PLC	± -																
1 PLC	± -																
2 PLC	± -																
3 PLC	± -																
4 PLC	± -																
ANGLES	± -																
MATERIAL		WEIGHT	SIZE	CAGE CODE	DRAWING NO	RESTRICTED TO											
-		-	A3	C2290	C-1768047-5	-											
CUSTOMER DRAWING			SCALE	SHEET	REV												
			NTS	3 OF 3	3												

## X-ON Electronics

Largest Supplier of Electrical and Electronic Components

*Click to view similar products for [Wire Identification](#) category:*

*Click to view products by [TE Connectivity](#) manufacturer:*

Other Similar products are found below :

[CU6337-000](#) [CU6342-000](#) [FCA-410-12](#) [11631010](#) [1-1768037-1](#) [1-1768037-2](#) [1-1768050-0](#) [PXLK-VI](#) [Q62184-1](#) [A64304-000](#)  
[HK032WE1NF038B](#) [1330-0519-10](#) [1395200-1](#) [1395202-1](#) [DMVF050WE-300S6](#) [D-SCE-1K-2.4-50-4-CS7834](#) [1538738-1](#) [E90935-000](#)  
[EC1238-000](#) [EC1465-000](#) [EC1855-000](#) [EC1859-000](#) [EC1863-000](#) [EC5415-000](#) [EC7277-000](#) [EC7352-000](#) [EC7603-000](#) [EC7707-000](#)  
[EC7735-000](#) [EC7768-000](#) [EC7828-000](#) [EC7854-000](#) [EC7952-000](#) [EC8128-000](#) [1768037-8](#) [1768041-7](#) [NC-127191-10-9](#)  
[HS048WE2NF038B](#) [C03232-000](#) [HTCM-SCE-14-4H-9](#) [HTMS-3/16-9](#) [HT-SCE-1/4-2.0-4](#) [HT-SCE-3/16-2.0-4](#) [HTTMS-1/2-1.50-9](#) [HTTMS-](#)  
[CM-1/2-4H-9](#) [HX-SCE-19.0-50-9](#) [HX-SCE-6.4-50-4](#) [C25254-000](#) [CA5939-000](#) [CA7155-000](#)