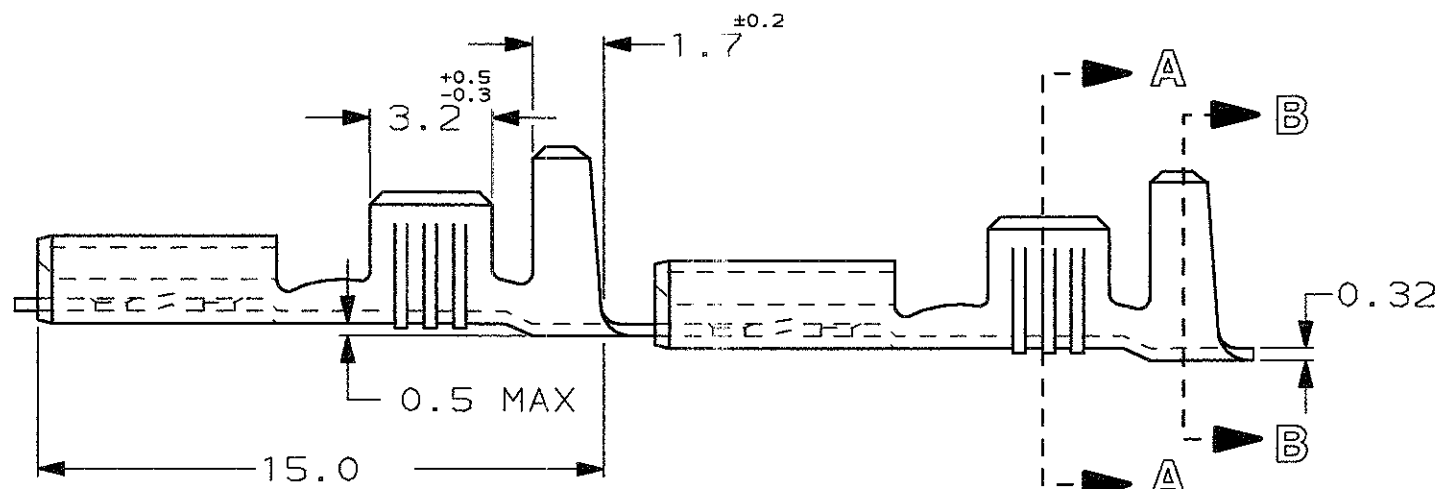
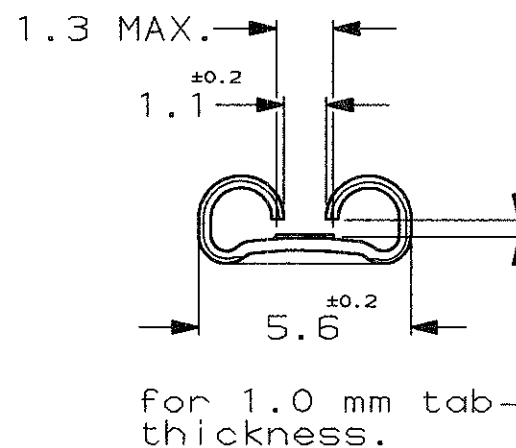
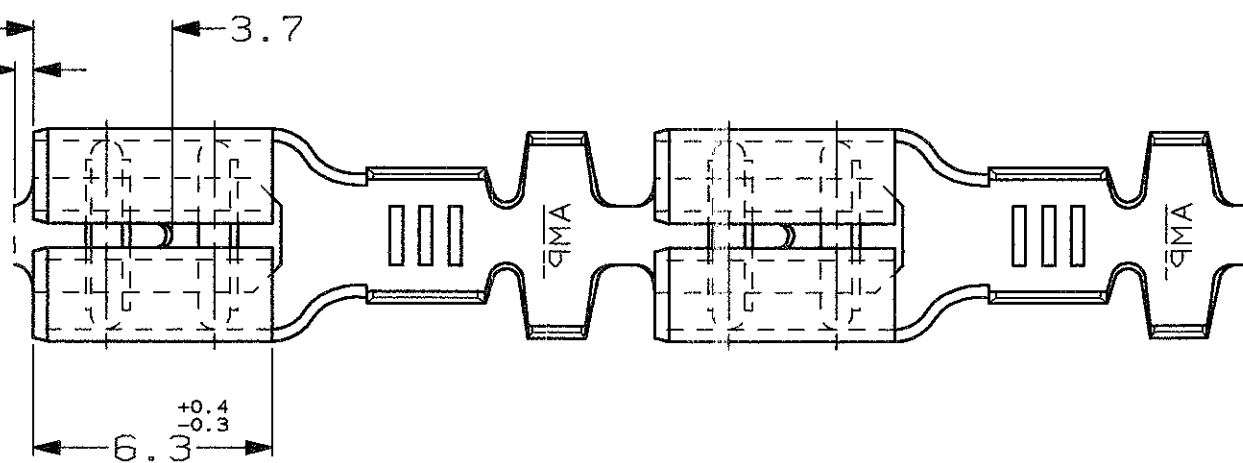


SCALA NON IMPEGNATIVA  
(DO NOT SCALE)  
DIMENSIONI IN mm  
(DIMENSIONS IN mm)

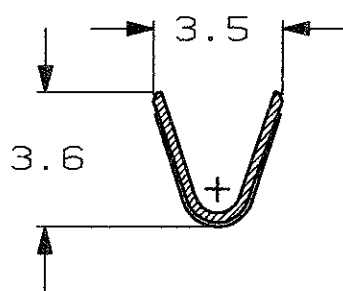
METRIC

THIRD ANGLE  
PROJECTION

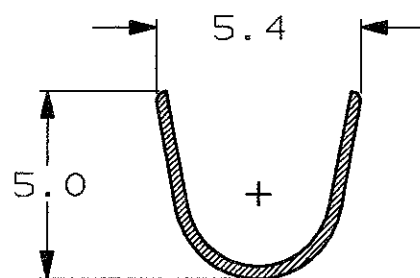
0.5 MAX.  
TESTIMONE DI TAGLIO  
(CUT-OFF DIM.)



SEZIONE A-A  
(SECTION A-A)



SEZIONE B-B  
(SECTION B-B)



1) STATO DI FORNITURA - SCALA 1:1  
(SUPPLY CONDITION - SCALE 1:1)



SENSO DI USCITA  
DEL TERMINALE  
DALLA BOBINA  
(DIRECTION OFF  
TOP OF REEL)

|      |  |  |                     |     |
|------|--|--|---------------------|-----|
| NOTE | STAGNATO<br>(TIN PLATED)<br>FINITURA / COLORE<br>(FINISH / COLOUR) | OTTONE<br>(BRASS)<br>MATERIALE<br>(MATERIAL) | 0-100097-2          | D   |
|      |  |  | NUMERO<br>(AMP P/N) | REV |

CUSTOMER DWG.  
FOR REFERENCE ONLY

DISEGNO PER CLIENTE  
SOLO PER RIFERIMENTO

THIS DRAWING IS UNPUBLISHED. RELEASE FOR PUBLICATION 19  
© COPYRIGHT 19 BY AMP INCORPORATED, HARRISBURG, PA. ALL INTERNATIONAL RIGHT RESERVED. AMP PRODUCTS MAY BE COVERED BY U.S. AND FOREIGN PATENT AND/OR PATENT PENDING

|   |  |  |                  |
|---|--|--|------------------|
| TOLLERANZE, SE NON DIVERSAMENTE SPECIFICATO<br>(TOLERANCES, UNLESS OTHERWISE SPECIFIED) | DIAM. ISOLANTE<br>(INS. DIA. RANGE) mm | RANGO FILO<br>(WIRE RANGE) mm <sup>2</sup> | SCALA<br>(SCALE) |
| ± 0.3   | 3.0-4.3                                | 1.0-2.5                                    | 5:1              |

ANGOLI  
(ANGLES) ± 2°  
**AMP** AMP ITALIA S.p.A.  
Corso F.lli Cervi, 15  
COLLEGNO (TORINO)

DIS. H. YAALI  
(DR.) 23 JAN 2001  
DESCRIZIONE  
(DESCRIPTION) FASTON® Connector,  
.187" sr. REC. CONTACT.

|      |  |              |                |                                       |      |      |                    |      |                   |
|------|--|--------------|----------------|---------------------------------------|------|------|--------------------|------|-------------------|
| D    | CHANGED RAW MTL. FINISH<br>ET00-0121-04  | A.V.         | 12-01<br>2005  | CONT. C. TARTARI<br>(CHK) 23 JAN 2001 | LOC. | SIZE | NUMERO<br>(DWG NO) | REV. | FOGLIO<br>(SHEET) |
| C    | ACTIVATED PART & REDRAWN<br>ET00-0019-01 | H.Y.         | 15-01<br>2001  |                                       | I    | A3   | C-100097           | D    | 1 DI 1            |
| REV. | REVISIONI<br>(REVISION RECORD)           | DIS.<br>(DR) | DATA<br>(DATE) | APP.<br>(APP.)                        |      |      |                    |      |                   |

DISTRIBUZIONE  
(PRINT DIST.)

## X-ON Electronics

Largest Supplier of Electrical and Electronic Components

*Click to view similar products for [Terminals](#) category:*

*Click to view products by [TE Connectivity](#) manufacturer:*

Other Similar products are found below :

[HT-13-10](#) [71M-250-32-NB](#) [01-2065-1-0216](#) [00581P0075](#) [M10-10RX](#) [M10BCK](#) [60205-1](#) [604200-1](#) [60598-1-CUT-TAPE](#) [60617-1-C](#) [60873-1](#) [M14-516R/SK](#) [M14-6RSX](#) [M18-8FBX](#) [M18-8R/LX](#) [M18BCK](#) [61314-6-C](#) [61-S](#) [61-SN-A](#) [62-NBM-A](#) [63-S](#) [640179-1](#) [640917-2-CUT-TAPE](#) [6501550002](#) [66107-2-C](#) [696683-1](#) [696834-1](#) [696861-1](#) [696931-1](#) [696999-1](#) [M8-516RK](#) [M86700006](#) [MA250DMFMX-A](#) [701-2007](#) [701-2307](#) [701-7761-03](#) [70F-110-32-PB](#) [718-N-A](#) [71M-187-20-NBL](#) [71M-250-32-NBL](#) [72F-187-20-NBL](#) [72M-250-32-NBL](#) [7310](#) [73F-250-32](#) [73F-250-32-NL](#) [F14-10C](#) [F-1M](#) [751-250](#) [76650-5002](#) [76828-149](#)