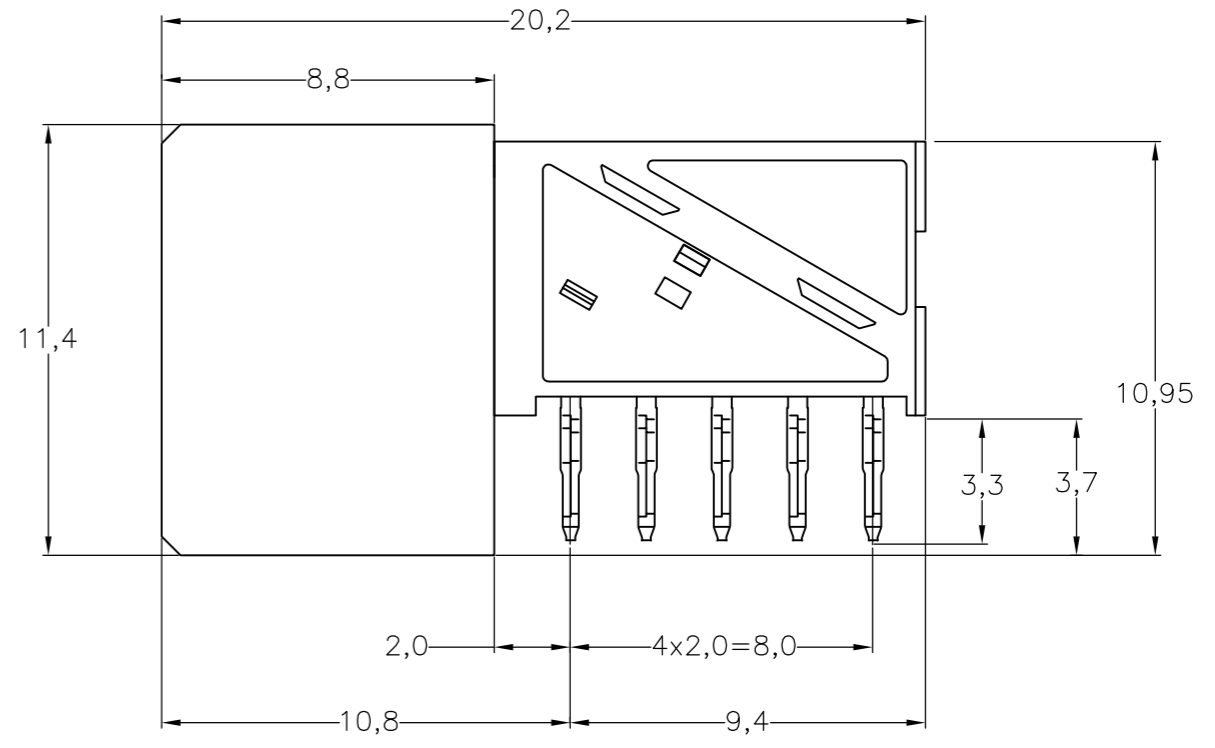
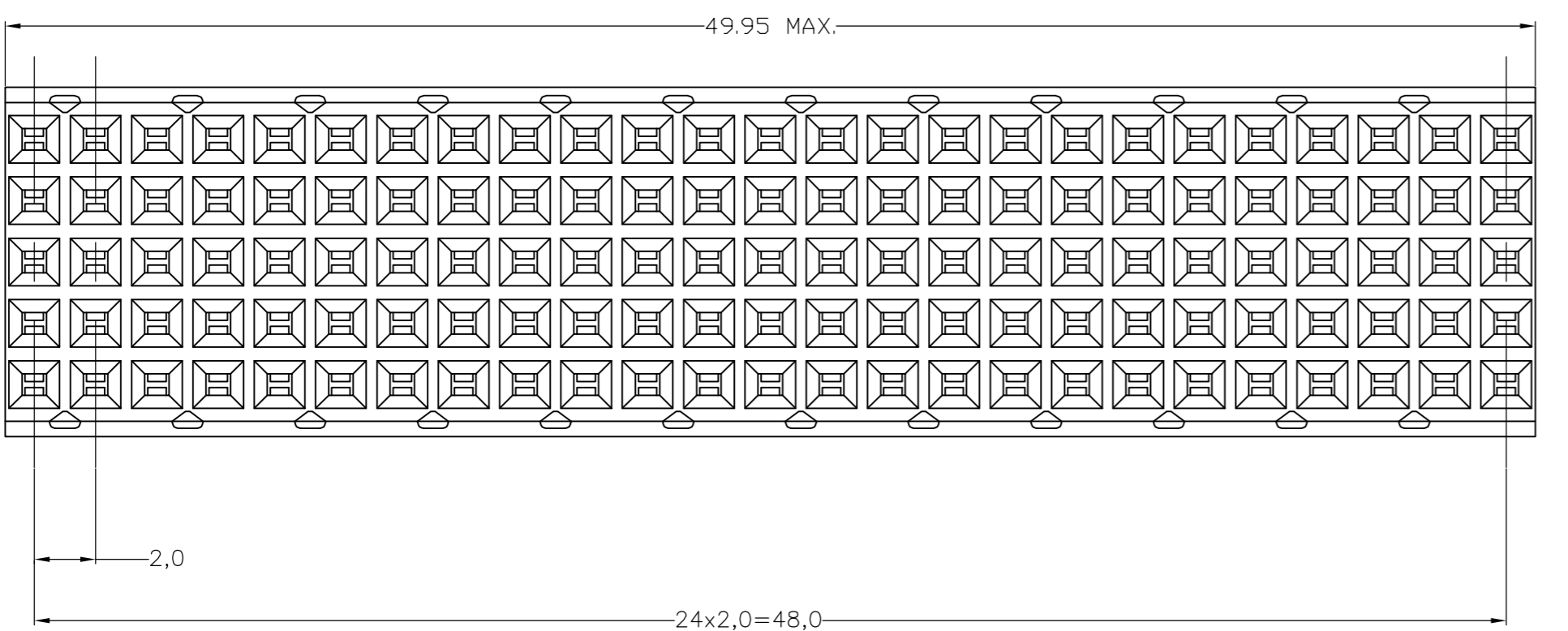
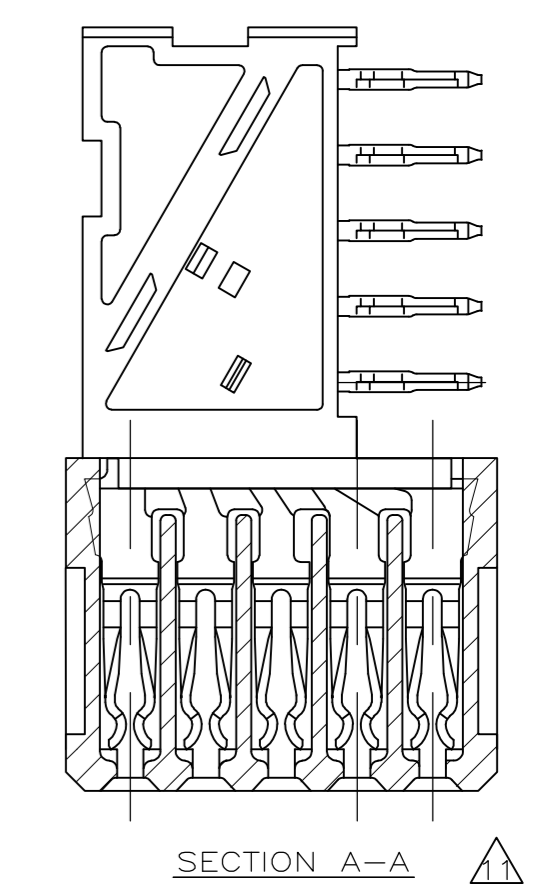
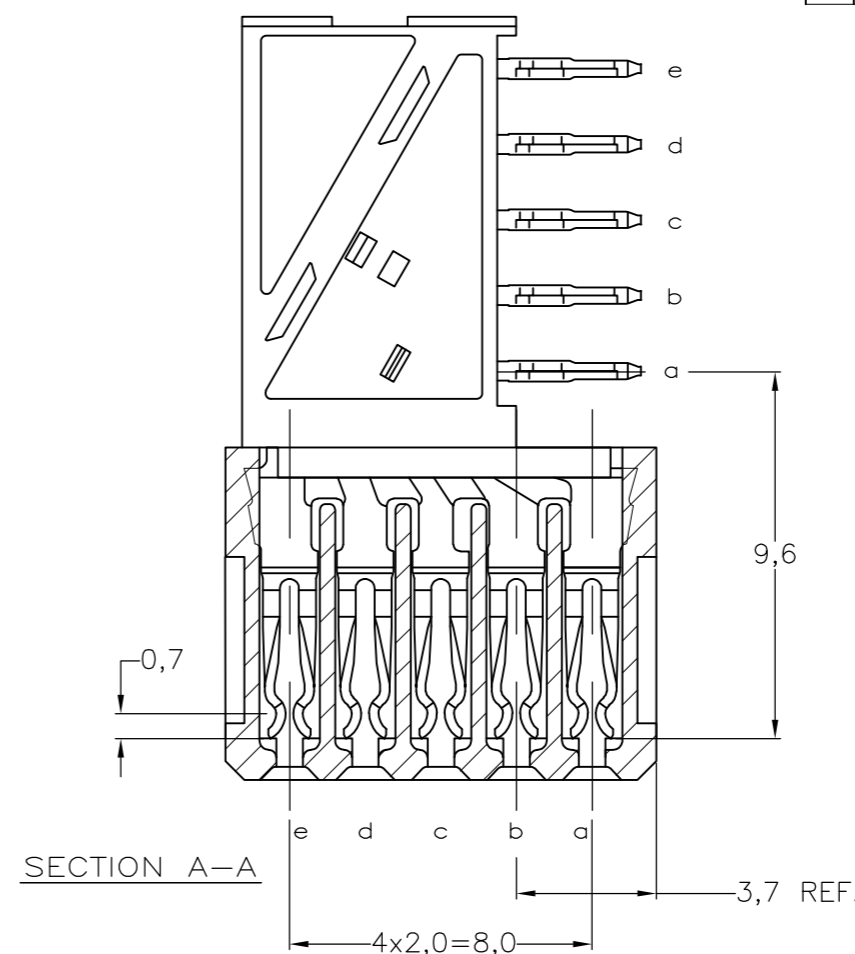
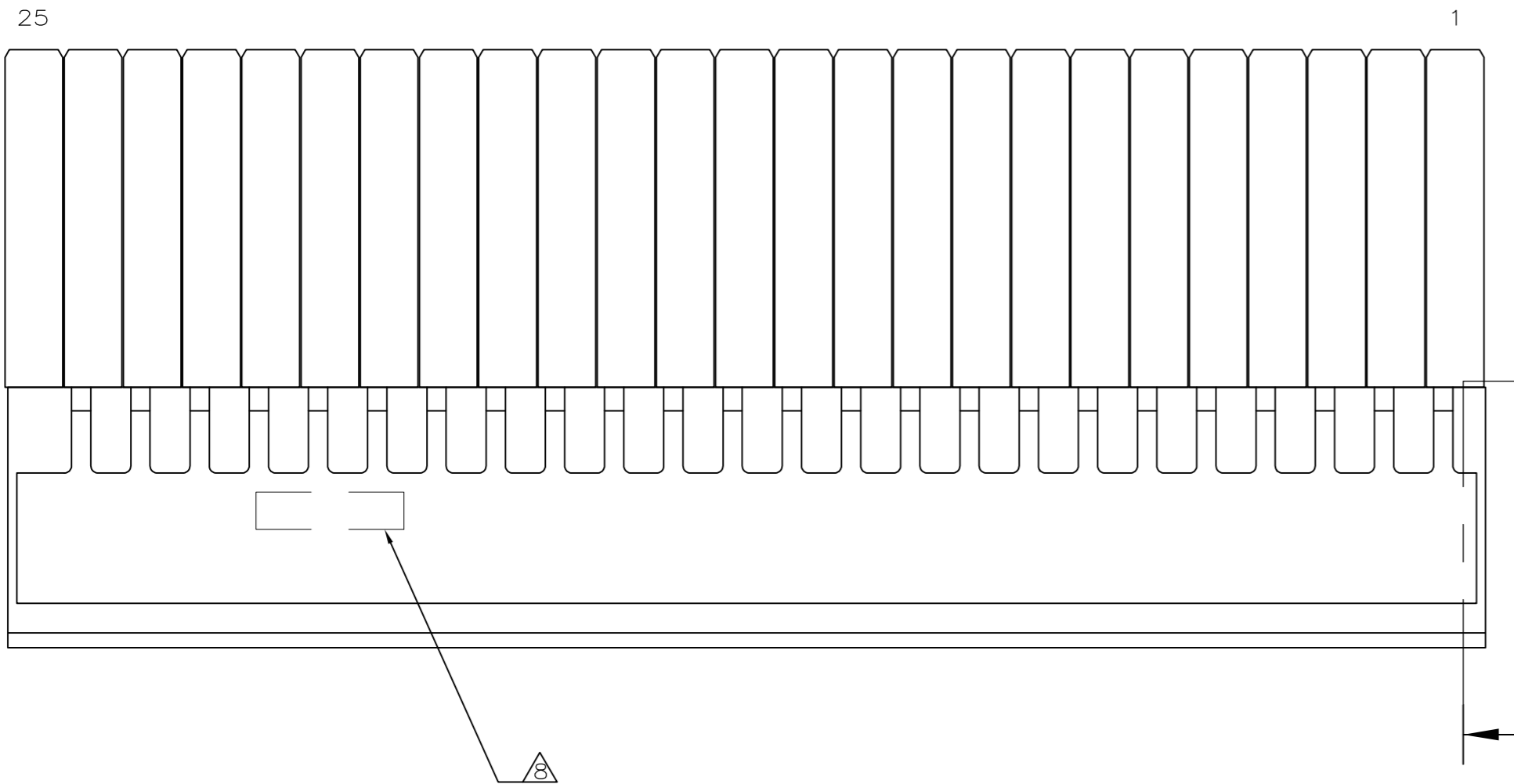
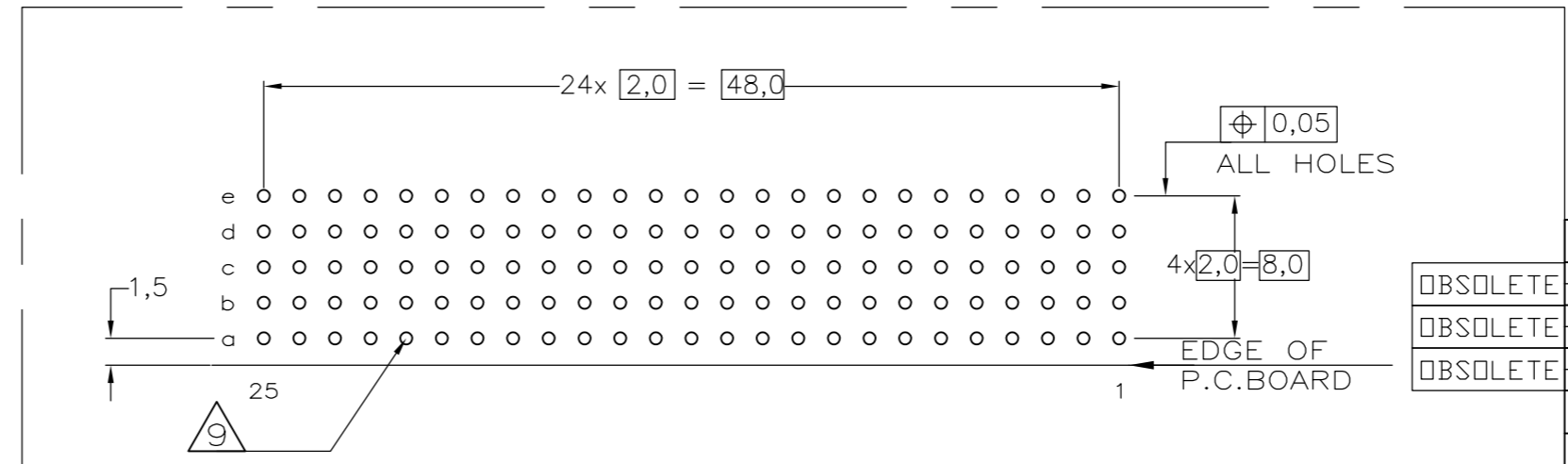


THIS DRAWING IS UNPUBLISHED. RELEASED FOR PUBLICATION
 © COPYRIGHT - By - ALL RIGHTS RESERVED.

REVISIONS				
P	LTR	DESCRIPTION	DATE	APVD
R		REVISED PER ECR-16-013249	07JUL2017	FL SY



- NOTES:**
- ▲ MATERIAL CONTACT; PHOSPHORBRONZE
MATERIAL HOUSING; GLASSFILLED POLYESTER (GRAY)
UL-RATING 94V0.
 - ▲ GENERAL PLATING SPECIFICATION: UNDERPLATING (ENTIRE CONTACT): 1,27µm NICKEL MIN.
AND ACTION PIN: 0,5µm TIN-LEAD MIN.
FOR PLATING OF MATING SURFACES SEE APPLICABLE SPECIFICATION REFERENCE FOR EACH DASH NUMBER.
 - ▲ CONFORMS TO ALL TESTING ACCORDING IEC 61076-4-101 PERFORMANCE LEVEL 2.
 - ▲ CONFORMS TO ALL TESTING ACCORDING IEC 61076-4-101 PERFORMANCE LEVEL 1.
 - ▲ CONNECTOR TESTED AND QUALIFIED AGAINST TELCORDIA GR-1217-CORE QUALITY LEVEL III, CENTRAL OFFICE APPLICATIONS.
 - ▲ CONNECTOR TESTED AND QUALIFIED AGAINST TELCORDIA GR-1217-CORE QUALITY LEVEL III, UNCONTROLLED ENVIRONMENT APPLICATIONS.
 - ▲ CONNECTOR LUBRICATED WITH TELCORDIA GR-1217-CORE APPROVED LUBRICANT.
 - ▲ CONNECTOR PRINTED WITH PARTNUMBER AND DATECODE
THE MARKING CAN APPEAR ON THE FRONT SIDE OR ON THE BACK SIDE.
 - ▲ PLATED-THROUGH HOLES AT 2x2mm SQUARE GRID. 125 HOLES
 - 10. FITS WITH INTEGRATED GROUND RETURN UPSHIELD, BASIC P.N. 338109
AND INTEGRATED GROUND RETURN LOWERSHIELD, BASIC P.N. 338110
 - ▲ CONNECTOR ASSEMBLED WITH REDESIGNED CONTACTS.
CONTACTS HAVE A CORING-OUT IN THE PLASTIC.
 - ▲ 0,76µm MIN GOLD PLATING AT MATING SURFACES.



SCALE 2,5:1
 COMPONENT SIDE AS SHOWN
 RECOMMENDED PCB-HOLE LAY-OUT

P.C.B. HOLE DIM. ACTION PIN
 FOR DETAILS SEE
 APPLICATION SPECIFICATION

FINISH	MATERIAL	PARTNUMBER
▲▲▲	▲	3-100145-0 ▲
▲▲▲	▲	1-100145-9 ▲
▲▲▲	▲	100145-9 ▲
▲▲▲	▲	100145-4 ▲
▲▲▲	▲	100145-1 ▲

THIS DRAWING IS A CONTROLLED DOCUMENT.

DWN	D.TRUREN	20JAN97
CHK	W.V.D.HEIJDEN	20JAN97
APVD	B. MOOIJ	-
PRODUCT SPEC	108-19082	
APPLICATION SPEC	114-19029	
WEIGHT	0,000000	
CUSTOMER DRAWING		

TE TE Connectivity

Z-PACK 2mm HM TYPE B
 125 POS. FEMALE CONNECTOR

SIZE	A2	CAGE CODE	00779	DRAWING NO	C=100145	RESTRICTED TO	-
SCALE	NTS	SHEET	1 of 1	REV	R		

X-ON Electronics

Largest Supplier of Electrical and Electronic Components

Click to view similar products for [Hard Metric Connectors](#) category:

Click to view products by [TE Connectivity](#) manufacturer:

Other Similar products are found below :

[10146110-VR5C](#) [6345127-1](#) [646916-9](#) [853016](#) [973108](#) [1-2000676-2](#) [1-2000713-0](#) [1-2000713-2](#) [1-2000713-3](#) [134187](#) [1645343-1](#) [1645456-1](#) [1645601-1](#) [1934822-1](#) [223085-1](#) [278071110010833](#) [1645245-1](#) [1645525-1](#) [1645570-1](#) [1645596-1](#) [1857470-1](#) [1934275-1](#) [1934289-1](#) [1934759-1](#) [2000673-1](#) [204975](#) [2170292-2](#) [2-536642-6](#) [3-100668-0](#) [352188-1](#) [352629-1](#) [3-646346-0](#) [3-646457-0](#) [3-646529-0](#) [5120823-1](#) [5120899-1](#) [3-100145-0](#) [3-100147-0](#) [3-100669-1](#) [HM2DK2368PLF](#) [5646530-1](#) [3-352049-0](#) [3-352069-0](#) [3-352115-0](#) [3-352638-0](#) [352189-1](#) [3-646357-0](#) [3-646487-0](#) [3-646513-0](#) [51208191](#)