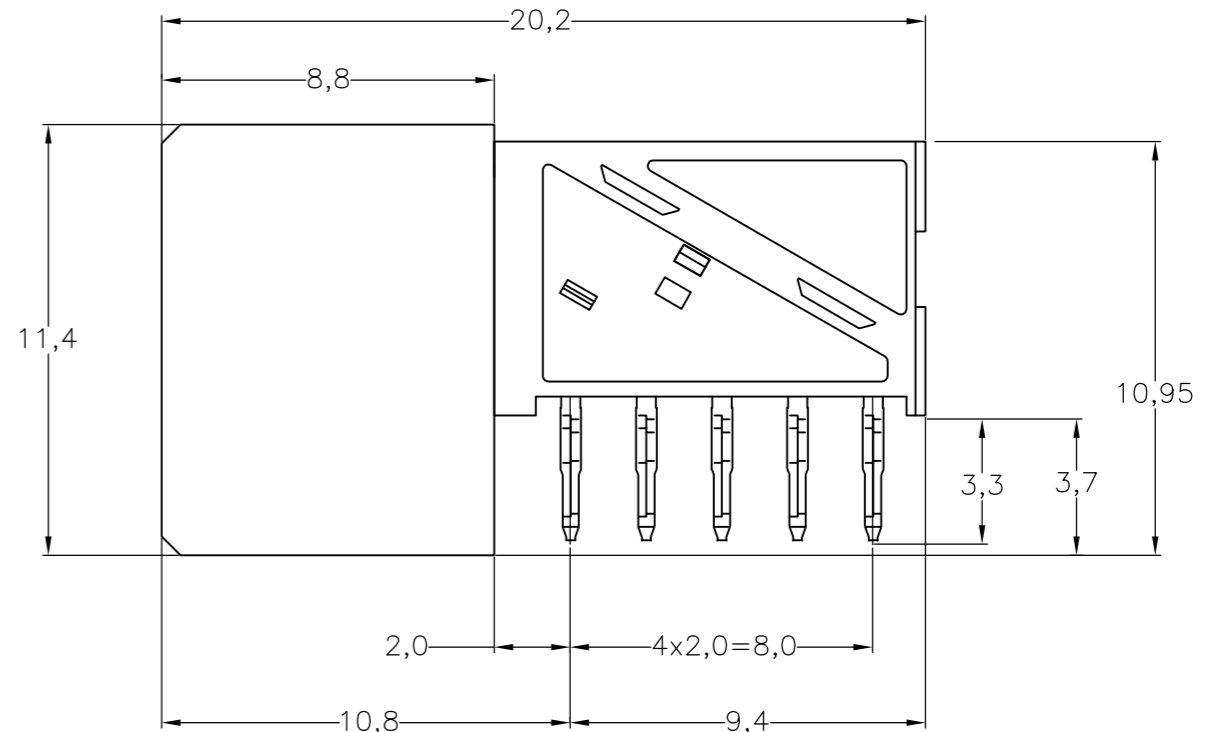
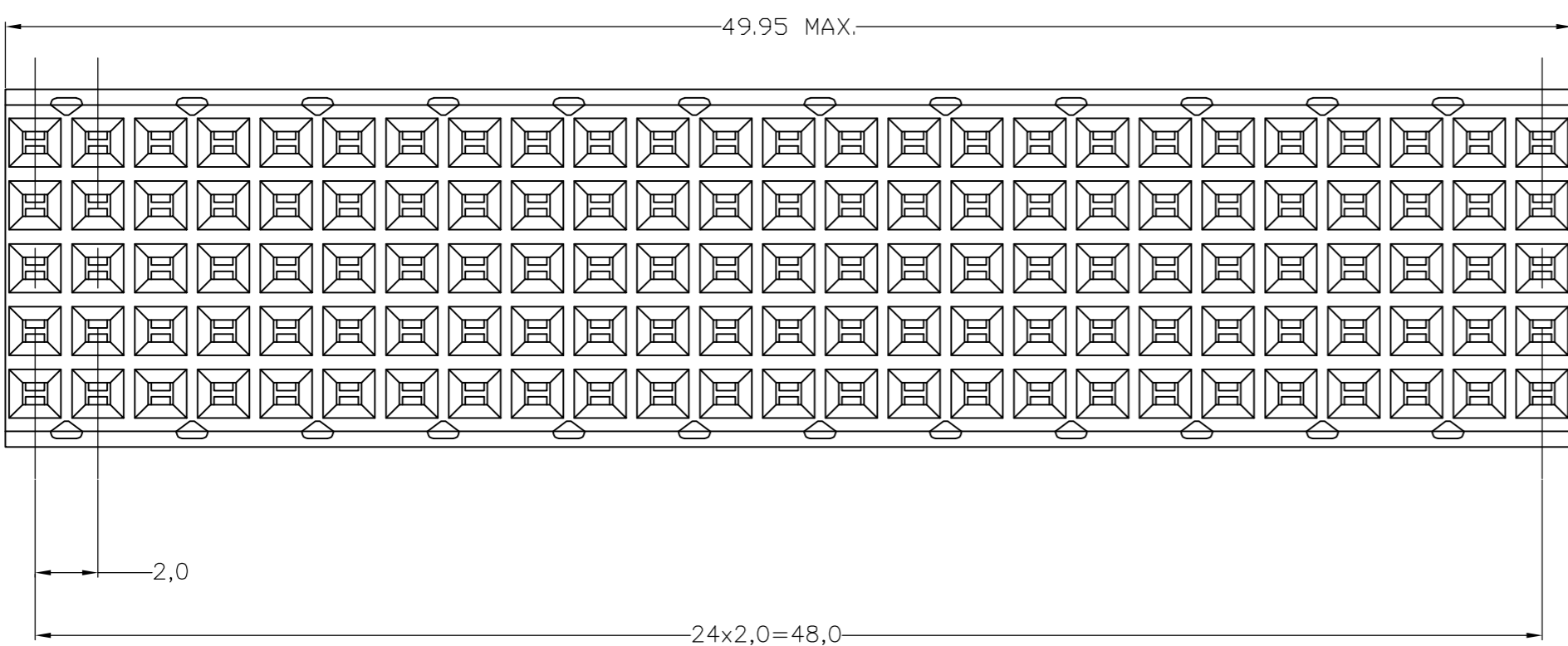
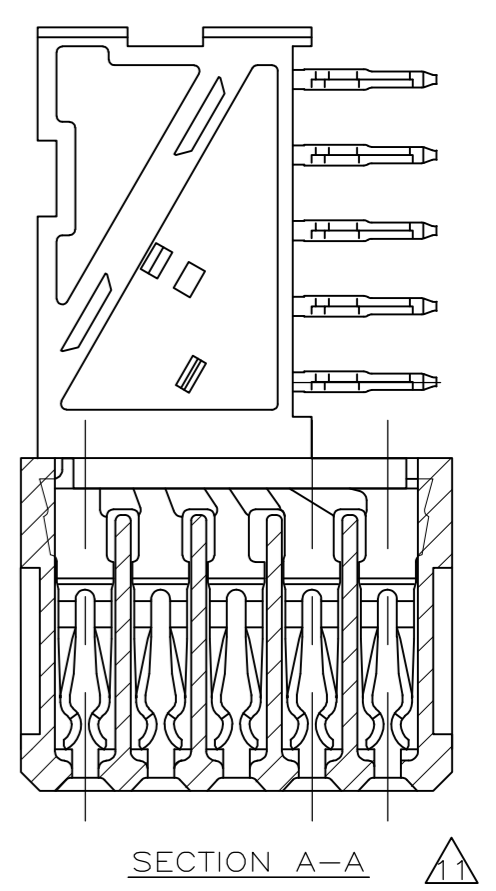
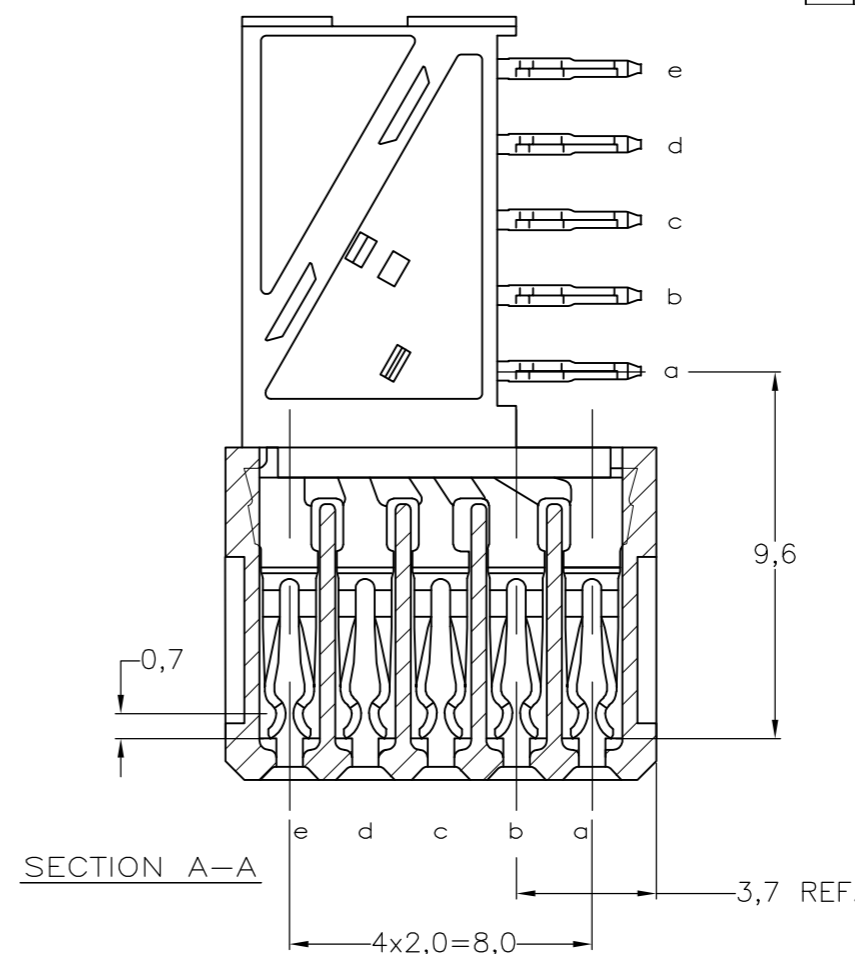
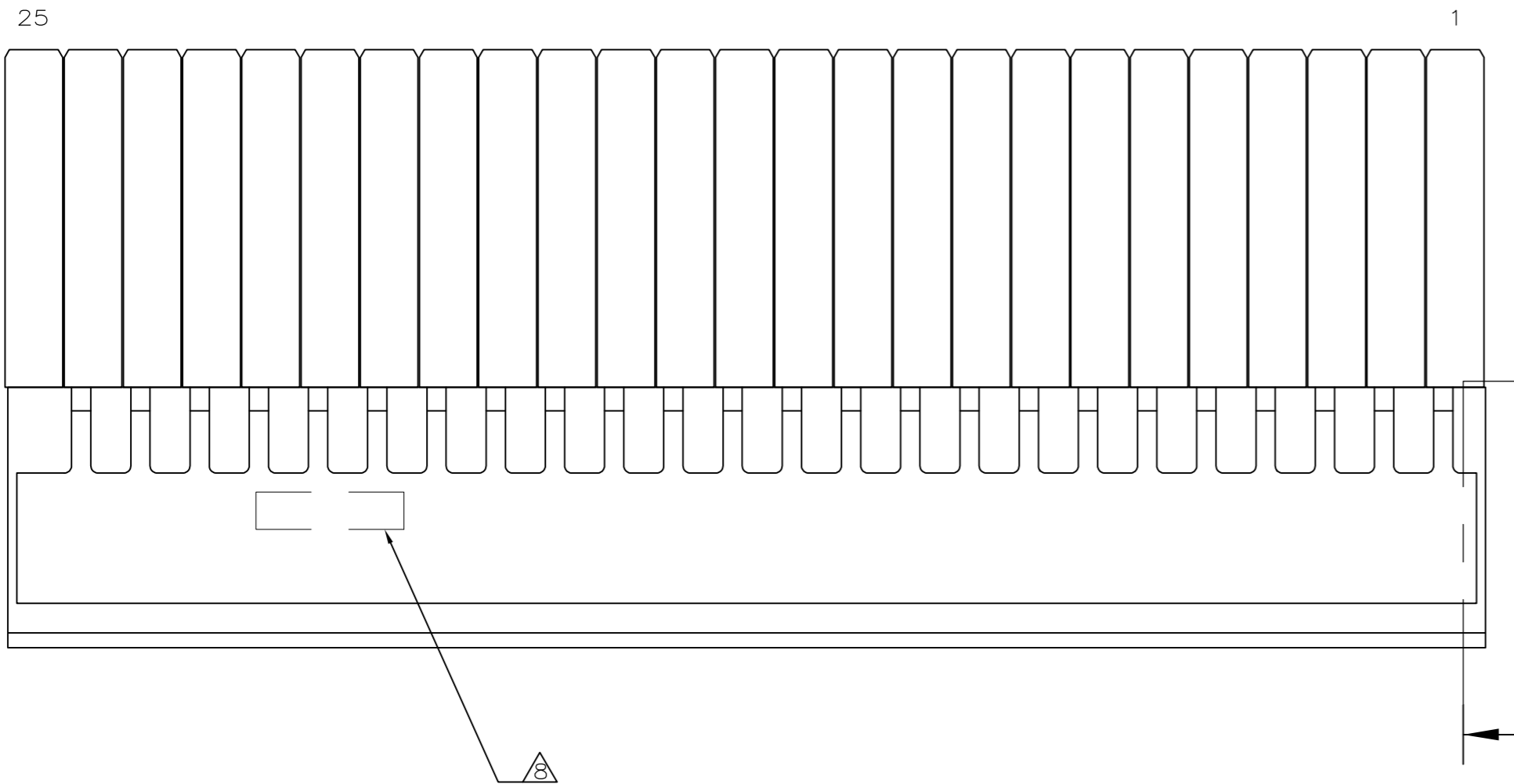
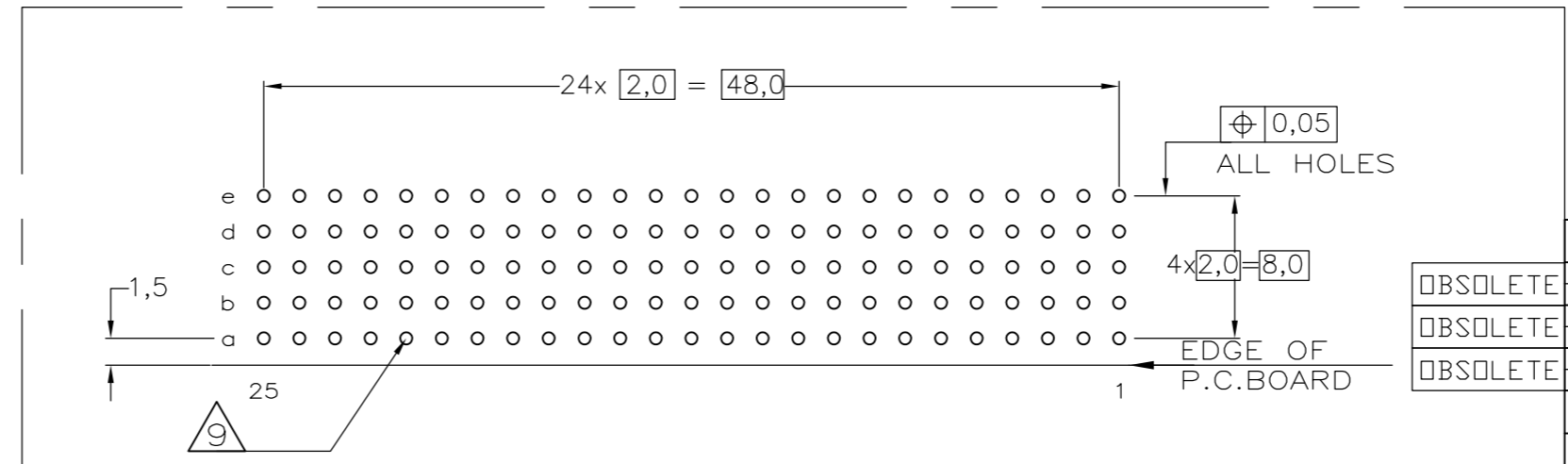


THIS DRAWING IS UNPUBLISHED. RELEASED FOR PUBLICATION  
 © COPYRIGHT - By - ALL RIGHTS RESERVED.

REVISIONS				
P	LTR	DESCRIPTION	DATE	APVD
R		REVISED PER ECR-16-013249	07JUL2017	FL SY



- NOTES:**
- ▲ MATERIAL CONTACT; PHOSPHORBRONZE  
MATERIAL HOUSING; GLASSFILLED POLYESTER (GRAY)  
UL-RATING 94V0.
  - ▲ GENERAL PLATING SPECIFICATION: UNDERPLATING (ENTIRE CONTACT): 1,27µm NICKEL MIN.  
AND ACTION PIN: 0,5µm TIN-LEAD MIN.  
FOR PLATING OF MATING SURFACES SEE APPLICABLE SPECIFICATION REFERENCE FOR EACH DASH NUMBER.
  - ▲ CONFORMS TO ALL TESTING ACCORDING IEC 61076-4-101 PERFORMANCE LEVEL 2.
  - ▲ CONFORMS TO ALL TESTING ACCORDING IEC 61076-4-101 PERFORMANCE LEVEL 1.
  - ▲ CONNECTOR TESTED AND QUALIFIED AGAINST TELCORDIA GR-1217-CORE QUALITY LEVEL III, CENTRAL OFFICE APPLICATIONS.
  - ▲ CONNECTOR TESTED AND QUALIFIED AGAINST TELCORDIA GR-1217-CORE QUALITY LEVEL III, UNCONTROLLED ENVIRONMENT APPLICATIONS.
  - ▲ CONNECTOR LUBRICATED WITH TELCORDIA GR-1217-CORE APPROVED LUBRICANT.
  - ▲ CONNECTOR PRINTED WITH PARTNUMBER AND DATECODE  
THE MARKING CAN APPEAR ON THE FRONT SIDE OR ON THE BACK SIDE.
  - ▲ PLATED-THROUGH HOLES AT 2x2mm SQUARE GRID. 125 HOLES
  - 10. FITS WITH INTEGRATED GROUND RETURN UPSHIELD, BASIC P.N. 338109  
AND INTEGRATED GROUND RETURN LOWERSHIELD, BASIC P.N. 338110
  - ▲ CONNECTOR ASSEMBLED WITH REDESIGNED CONTACTS.  
CONTACTS HAVE A CORING-OUT IN THE PLASTIC.
  - ▲ 0,76µm MIN GOLD PLATING AT MATING SURFACES.



SCALE 2,5:1  
COMPONENT SIDE AS SHOWN  
RECOMMENDED PCB-HOLE LAY-OUT

P.C.B. HOLE DIM. ACTION PIN  
FOR DETAILS SEE  
APPLICATION SPECIFICATION

FINISH	MATERIAL	PARTNUMBER
▲ 3 12	▲	3-100145-0 ▲
▲ 6 7	▲	1-100145-9 ▲
▲ 5 7	▲	100145-9 ▲
▲ 4	▲	100145-4 ▲
▲ 3	▲	100145-1 ▲

THIS DRAWING IS A CONTROLLED DOCUMENT.		DWN D.TRUREN 20JAN97	TE Connectivity	
DIMENSIONS: mm		CHK W.V.D.HEIJDEN 20JAN97		
TOLERANCES UNLESS OTHERWISE SPECIFIED:		APVD B. MOOIJ	Z-PACK 2mm HM TYPE B 125 POS. FEMALE CONNECTOR	
0 PLC ± -		PRODUCT SPEC	-	
1 PLC ± -		108-19082	-	
2 PLC ± -		APPLICATION SPEC	-	
3 PLC ± -		114-19029	-	
4 PLC ± -		WEIGHT 0,000000	-	
ANGLES ± -		CUSTOMER DRAWING	-	
FINISH		SCALE NTS	SHEET 1 of 1	
-		REV R	-	

## X-ON Electronics

Largest Supplier of Electrical and Electronic Components

*Click to view similar products for [Hard Metric Connectors](#) category:*

*Click to view products by [TE Connectivity](#) manufacturer:*

Other Similar products are found below :

[10146110-VR5C](#) [6345127-1](#) [646916-9](#) [853016](#) [973108](#) [1-2000676-2](#) [1-2000713-0](#) [1-2000713-2](#) [1-2000713-3](#) [134187](#) [1645343-1](#) [1645456-1](#) [1645601-1](#) [1934822-1](#) [223085-1](#) [278071110010833](#) [1645245-1](#) [1645525-1](#) [1645570-1](#) [1645596-1](#) [1857470-1](#) [1934275-1](#) [1934289-1](#) [1934759-1](#) [2000673-1](#) [204975](#) [2170292-2](#) [2-536642-6](#) [3-100668-0](#) [352188-1](#) [352629-1](#) [3-646346-0](#) [3-646457-0](#) [3-646529-0](#) [5120823-1](#) [5120899-1](#) [3-100145-0](#) [3-100147-0](#) [3-100669-1](#) [HM2DK2368PLF](#) [5646530-1](#) [3-352049-0](#) [3-352069-0](#) [3-352115-0](#) [3-352638-0](#) [352189-1](#) [3-646357-0](#) [3-646487-0](#) [3-646513-0](#) [51208191](#)