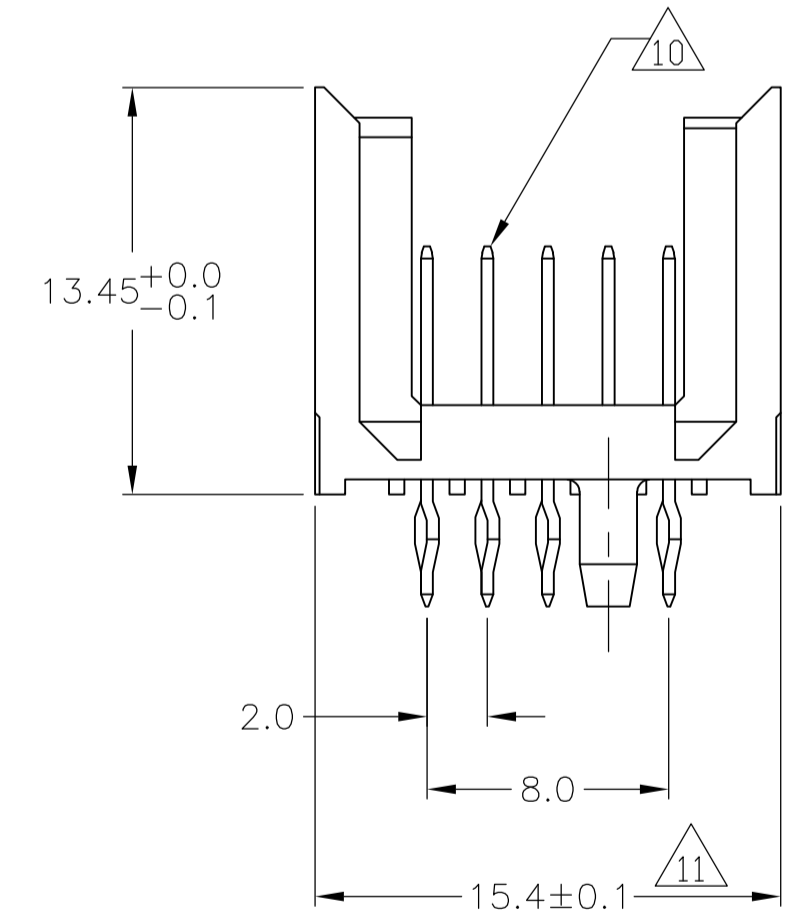
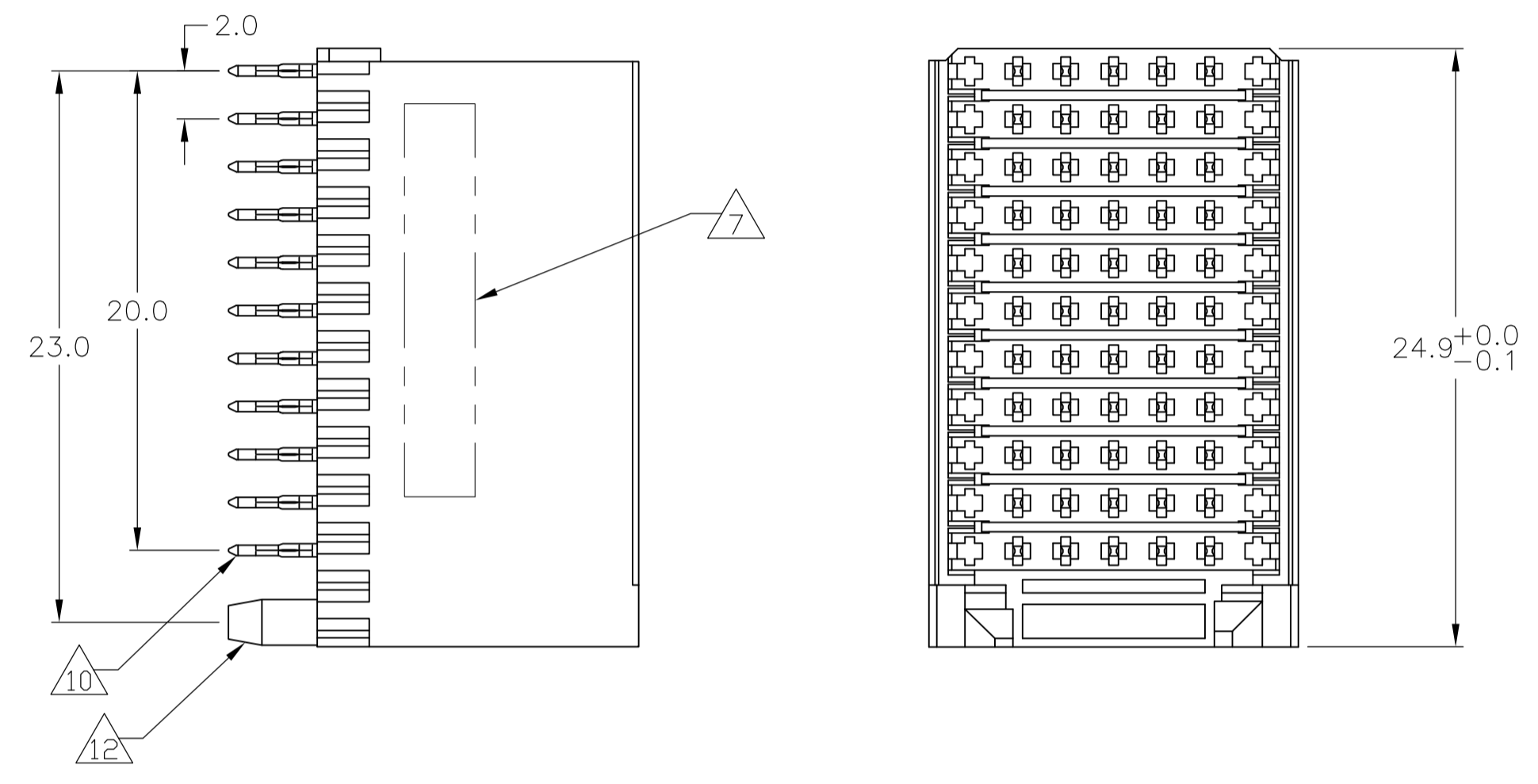
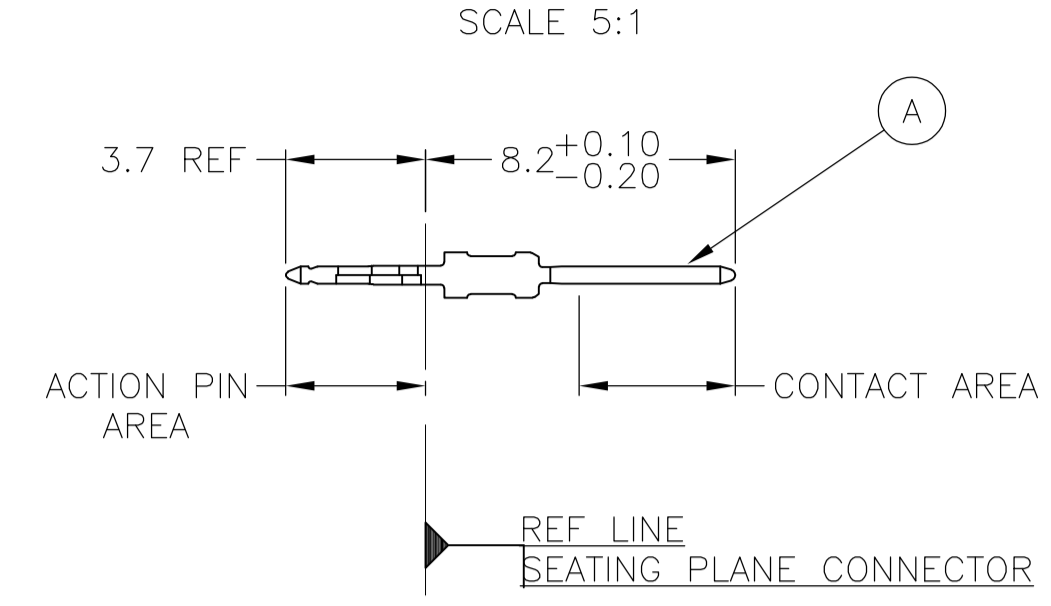


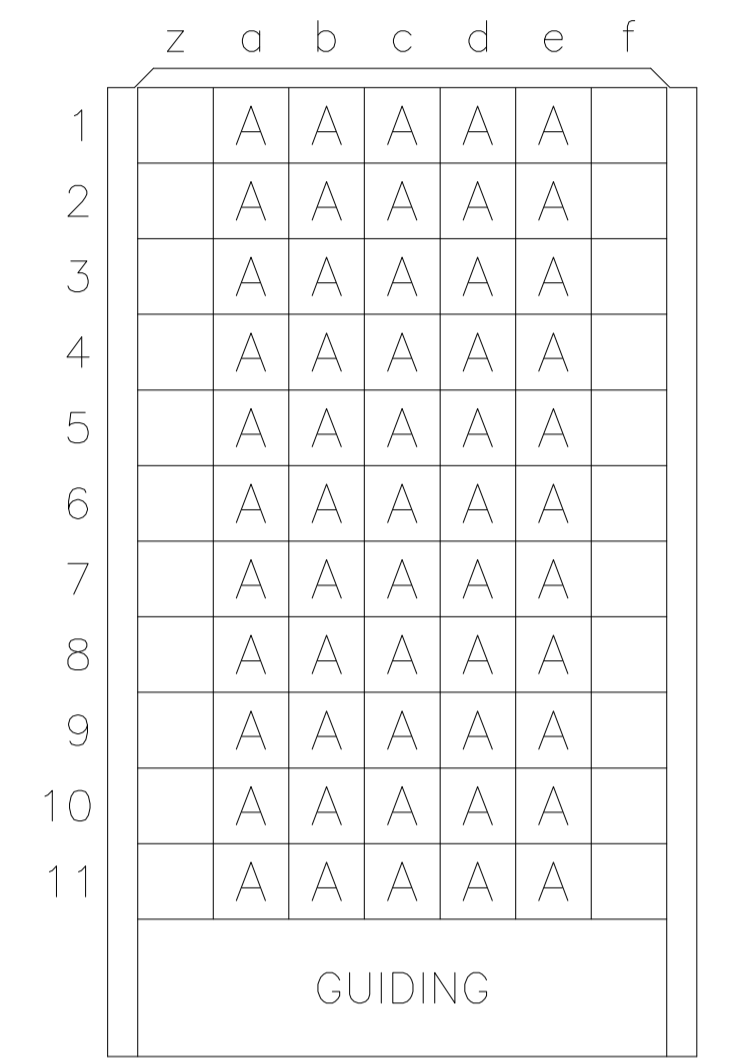
CONNECTOR ASSEMBLY EXAMPLARY LOADED



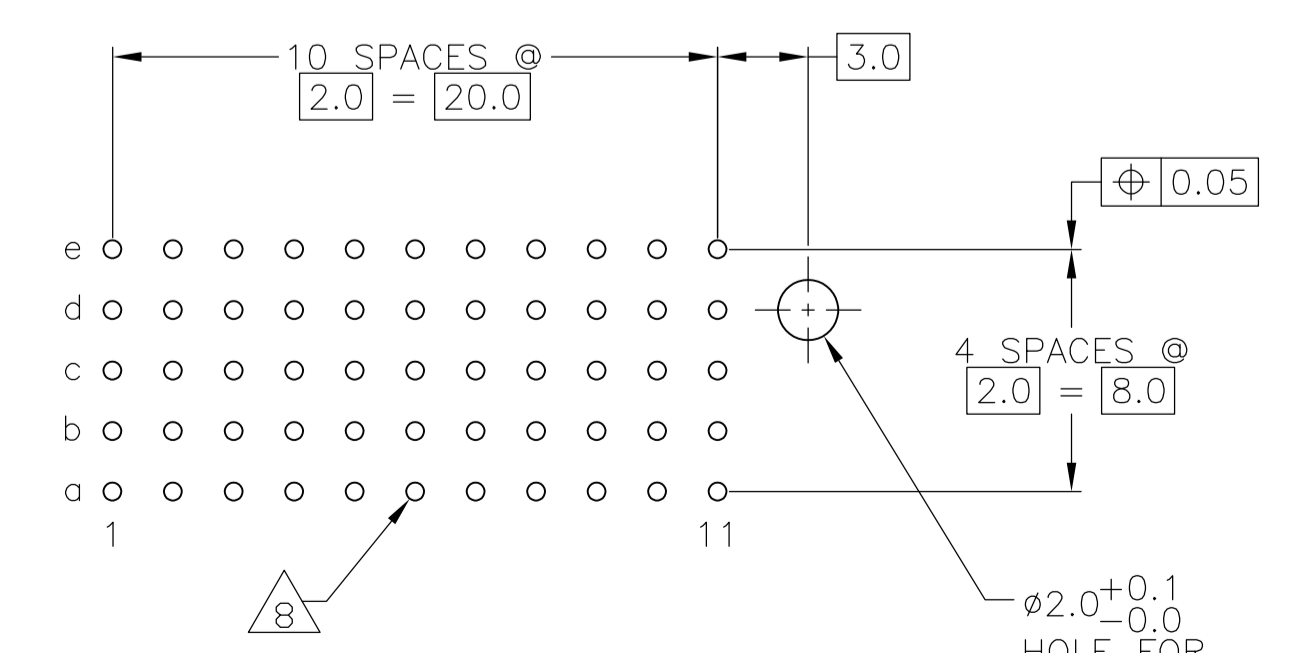
CONTACT DIMENSIONS



CONTACT LAYOUT



RECOMMENDED PCB-HOLE LAYOUT COMPONENT SIDE SHOWN




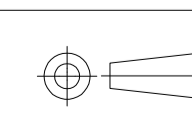
PLATED THRU HOLES PARAMETERS REFERENCE APPLICATION SPECIFICATION

2 3 14	3-100159-0
2 6 13	1-100159-9
2 5 13	100159-9
2 4	100159-4
2 3	100159-1
FINISH	PART NUMBER

THIS DRAWING IS A CONTROLLED DOCUMENT.		DIN F. BEUN 08OCT98	TE Connectivity	
DIMENSIONS: mm		CHK: R. LEEF 08OCT98	NAME: MALE ASSEMBLY, Z-PACK 2mm HM, TYPE C	
TOLERANCES UNLESS OTHERWISE SPECIFIED:		APVD: F. KONINGSBRUGGE	PRODUCT SPEC: 108-19082	
0-PLG ±		APPLICATION SPEC: 114-19029	RESTRICTED TO: -	
1-PLG ±0.2		SIZE: A1	CAGE CODE: 00779	DRAWING NO: 100159
2-PLG ±0.02		WEIGHT: -	SCALE: 4:1	
3-PLG ±0.005		CUSTOMER DRAWING		SHEET 1 OF 2
4-PLG ±		REV: M1		
ANGLES: ±0.30°				

LOC	DIST	REVISIONS			
AD	00	REV	DATE	BY	APPV
-	-	1	SEE SHEET 1	-	-

- 1 MATERIAL:
CONTACT: PHOSPHOR BRONZE.
HOUSING: GLASS-FILLED POLYESTER.
- 2 GENERAL PLATING SPECIFICATION: UNDERPLATING
(ENTIRE CONTACT): 1.27µm MIN NICKEL AND ACTION
PIN: 0.5µm MIN TIN/LEAD.
FOR PLATING OF MATING SURFACES SEE APPLICABLE
SPECIFICATION REFERENCE FOR EACH DASH NUMBER.
- 3 CONFORMS TO ALL TESTING ACCORDING TO IEC 61076-4-101
PERFORMANCE LEVEL 2.
- 4 CONFORMS TO ALL TESTING ACCORDING TO IEC 61076-4-101
PERFORMANCE LEVEL 1.
- 5 CONNECTOR TESTED AND QUALIFIED AGAINST TELCORDIA GR-1217-CORE QUALITY LEVEL 3,
CENTRAL OFFICE APPLICATIONS.
- 6 CONNECTOR TESTED AND QUALIFIED AGAINST TELCORDIA GR-1217-CORE QUALITY LEVEL 3,
UNCONTROLLED ENVIROMENT APPLICATIONS.
- 7 CONNECTOR MARKED WITH PART NUMBER AND DATE CODE.
ADDITIONAL CHARACTERS OR MARKINGS, AS WELL AS THE LOCATION OF THE MARKINGS,
MAY BE ADDED FOR TRACEABILITY BASED UPON MANUFACTURERS DISCRETION.
- 8 PLATED-THROUGH HOLES AT 2x2mm SQUARE GRID
PATTERN DEFINED BY CONTACT LAYOUT.
- 9 FOR ACTUAL PIN LOADING SEE "CONTACT LAYOUT".
- 10 FOR ACTUAL PIN DIMENSIONS SEE "CONTACT DIMENSIONS".
- 11 TO BE MEASURED AT BOTTOM OF SHROUD.
- 12 LOCATION PEG.
- 13 CONNECTOR LUBRICATED WITH BELCORE APPROVED LUBRICANT,
TECHNICAL REFERENCE: TR-NWT-001217 ISSUE 1, SEP 1992.
- 14 0.76µm MIN GOLD PLATING AT MATING SURFACES.

THIS DRAWING IS A CONTROLLED DOCUMENT.		DWG F. BEUN 08OCT98	 TE Connectivity			
DIMENSIONS: mm		CHK R. LEE 08OCT98				
		APVD F. KONINGSBRUGGE PRODUCT SPEC 108-19082 APPLICATION SPEC 114-19029	NAME MALE ASSEMBLY, Z-PACK 2mm HM, TYPE C			
MATERIAL SEE SHEET 1	FINISH SEE SHEET 1	WEIGHT -	SIZE A1	CAGE CODE 00779	DRAWING NO 100159	RESTRICTED TO -
CUSTOMER DRAWING			SCALE 4:1	SHEET 2	OF 2	REV M1

X-ON Electronics

Largest Supplier of Electrical and Electronic Components

Click to view similar products for [Hard Metric Connectors](#) category:

Click to view products by [TE Connectivity](#) manufacturer:

Other Similar products are found below :

[10146110-VR5C](#) [6345127-1](#) [646916-9](#) [853016](#) [973108](#) [1-2000676-2](#) [1-2000713-0](#) [1-2000713-2](#) [1-2000713-3](#) [134187](#) [1645343-1](#) [1645456-1](#) [1645601-1](#) [1934822-1](#) [223085-1](#) [278071110010833](#) [1645245-1](#) [1645525-1](#) [1645570-1](#) [1645596-1](#) [1857470-1](#) [1934275-1](#) [1934289-1](#) [1934759-1](#) [2000673-1](#) [204975](#) [2170292-2](#) [2-536642-6](#) [3-100668-0](#) [352188-1](#) [352629-1](#) [3-646346-0](#) [3-646457-0](#) [3-646529-0](#) [5120823-1](#) [5120899-1](#) [3-100145-0](#) [3-100147-0](#) [3-100669-1](#) [HM2DK2368PLF](#) [5646530-1](#) [3-352049-0](#) [3-352069-0](#) [3-352115-0](#) [3-352638-0](#) [352189-1](#) [3-646357-0](#) [3-646487-0](#) [3-646513-0](#) [51208191](#)